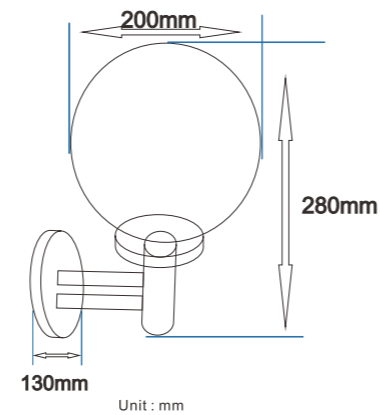


Wall Pack Light

Series Type: WL-P15

Features 產品特點 >>

- Lamp installation and fixation is simple
 - Multiple protection and waterproofing with drainage holes at the bottom is safer
 - Suitable for courtyard outdoor villa hotel lighting etc
-
- 安裝和固定簡單
 - 多重防護,底部設排水孔防水,使用更安全
 - 適用於庭院戶外別墅酒店照明等



Specification 產品規格 >>

Model 型號	Voltage 電壓	Wattage 功率	Size 尺寸	Lamp Life 光度壽命	Colour Temp 色溫	Lumen Output 輸出流明	Color Rendering 顯色度	Beam Angle 光速角度	Operating Temperature 工作溫度
	(V)	(W)	(mm)	(Hrs)	(K)	(Lm/W)	(CRI)	(°)	(°C)
WL-P15-H108A	110~240	15	Ø200*280	50000	3000/4000/6500	100	>80	300	-20~+45

- Light efficiency (lm/W),Power (W)Can be customized according to customer needs
 - This type of certification is issued by a government-approved laboratory for Safety certification, Fire testing, Restriction of Hazardous Substances(RoHS), Photobiological safety of lamps and lamp systems.(an Exemption Group) and other test certifications to ensure product quality
-
- 光效 (lm/W)、功率 (W) 可根據客戶需求定制
 - 此型號認證由可實驗室發出之安全認證消防測試, 環保物料 (RoHS), 光生物安全為Exemption Group及其它測試, 保證客戶使用更安心滿意