

T8 Ultra energy saving Anti glare LED TUBE

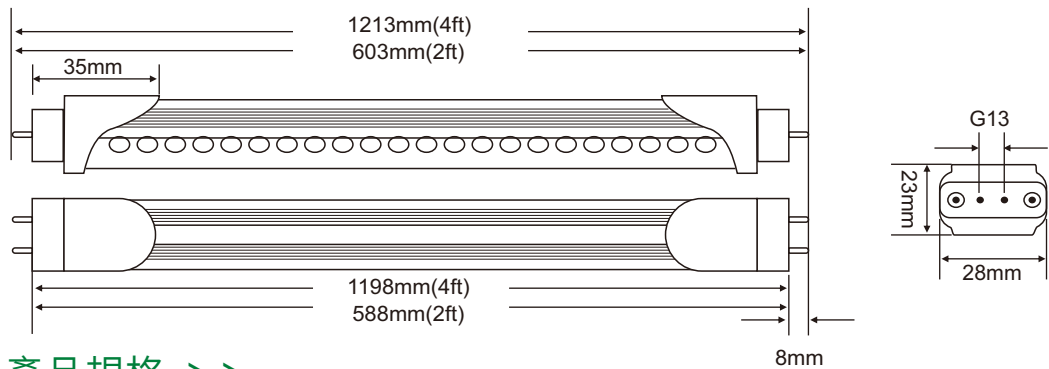
Series Type: SL



Features 產品特點 >>

- Compared with the LED lamp, the power is 20W, saving 300% energy, high brightness, and even light output
- Anti dazzle design, dazzle value UGR is less than 19
- Instant start, no flickering, no humming
- Special circuit design, each group of LEDs work separately, avoiding any problem of lighting output caused or influenced by single faulty LED It is resistant to radio interference and does not flicker when used in large quantities.
- Applicable to: production line, underground garage, commercial purposes

- 對比LED燈管功率20W,節省300%能源,亮度高,出光均勻
- 防眩目設計,眩目值UGR小於19
- 啟動快,沒有閃爍現象,沒有噪音
- 專業電路設計,每組燈獨立工作,可避免單一的壞燈影響整體的出光效果
- 抗電波干擾,大批量使用不閃爍
- 適用於:生產線,地下車庫,商業用途



Specification 產品規格 >>

Model 型號	Voltage 電壓 (V)	Wattage 功率 (W)	Length 長度 (mm)	Lamp Life 光度壽命 (Hrs)	Colour Temp 色溫 (K)	Lumen Output 輸出流明 (Lm/W)	Color Rendering 顯色度 (CRI)	Lamp Base 燈腳	PCS/CTN 每箱數量 (pcs)
LT-I0609-SL	90-265	3	600	50000	3000-6500	160	>80	T8,G13	25
LT-I1218-SL	90-265	6	1200	50000	3000-6500	160	>80	T8,G13	25

- Light efficiency (lm/W), Power (W), Color Rendering Index (CRI), Can be customized according to customer needs
- Our Standard Power factor (PF) > 0.9 and Total harmonic index THD < 15%, According to customer requirements can produce a lower THD < 10%
- This type of certification is issued by a government-approved laboratory for Safety certification, Fire testing, Restriction of Hazardous Substances (RoHS), Photobiological safety of lamps and lamp systems. (an Exemption Group) and other test certifications to ensure product quality

- 光效 (lm/W)、功率 (W)、顯色指數 (CRI), 可根據客戶需求定制
- 此型號標準之功率因素 (PF) > 0.9, 總諧波指數 THD < 25%, 可按客戶需要生產低總諧波指數 < 10%
- 此型號認證由可實驗室發出之安全認證消防測試, 環保物料 (RoHS), 光生物安全為 Exemption Group 及其它測試, 保證客戶使用更安心滿意