

High Bay LED Light

Model : HB-A40-N118B

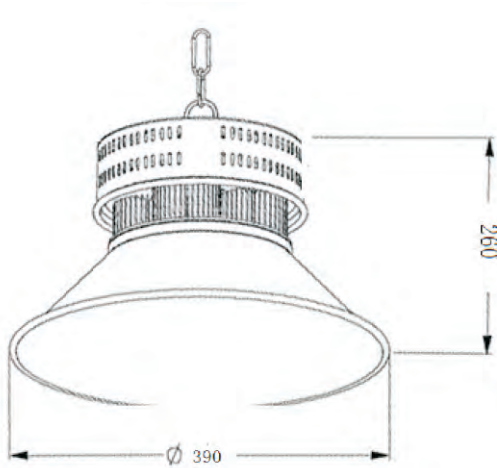
Features:

iLIGHTING
Green • Professional

Lighting Source



Model : HB-A40-N118B



Standard

Standard Size(mm)	Ø 390*260mm
Voltage (V)	AC85~265V
Beam Angle	120 degree
CRI	>80Ra
Luminous Efficacy	100 lm/w
Power Factor	> 0.90
Power (W)	40W
Cover Material	Aluminum , PC Cover
Color Temperature	2700K-6500K
Life Time	50,000(H)

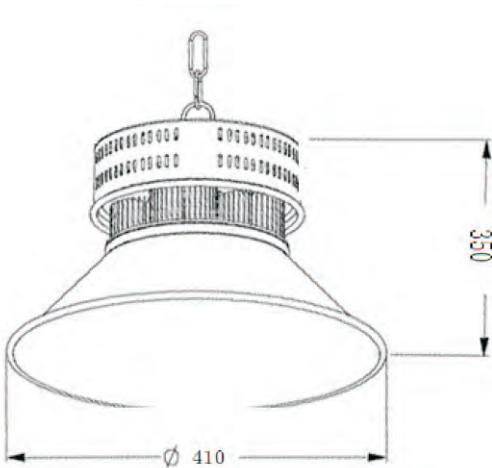
High Bay LED Light

Model : HB-A80-N118E

Features:



Model : HB-A80-N118B



Standard

Standard Size(mm)	Ø 410*350mm
Voltage (V)	AC85~265V
Beam Angle	120 degree
CRI	>80Ra
Luminous Efficacy	110 lm/w
Power Factor	> 0.90
Power (W)	80W
Cover Material	Aluminum , PC Cover
Color Temperature	2700K-6500K
Life Time	50,000(H)

High Bay LED Light

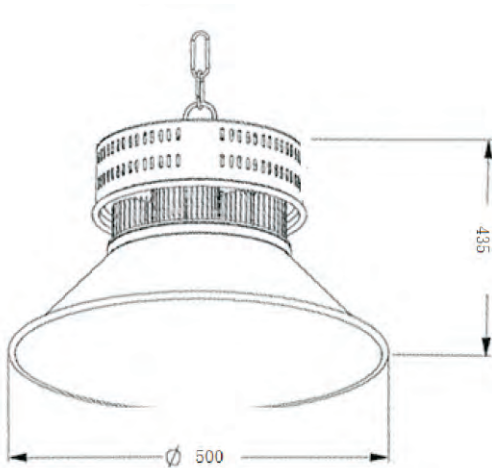
Model : HB-A100-N108B

Features:

iLIGHTING
Green • Professional



Model : HB-A100-N118B



Standard

Standard Size(mm)	Ø 500*435mm
Voltage (V)	AC85~265V
Beam Angle	120 degree
CRI	>80Ra
Luminous Efficacy	100 lm/w
Power Factor	> 0.90
Power (W)	100W
Cover Material	Aluminum , PC Cover
Color Temperature	2700K-6500K
Life Time	50,000(H)

Lighting Source

High Bay LED Light

Model : HB-A100-N108E

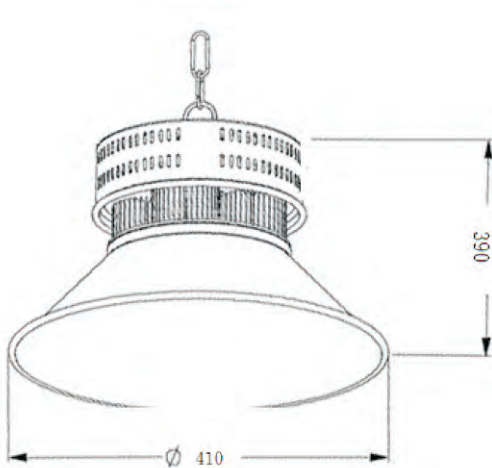
Features:



Lighting Source



Model : HB-A100-N118E



Standard

Standard Size(mm)	Ø 410*390mm
Voltage (V)	AC85~265V
Beam Angle	120 degree
CRI	>80Ra
Luminous Efficacy	100 lm/w
Power Factor	> 0.90
Power (W)	100W
Cover Material	Aluminum , PC Cover
Color Temperature	2700K-6500K
Life Time	50,000(H)

High Bay LED Light

Model : HB-A100-N118E

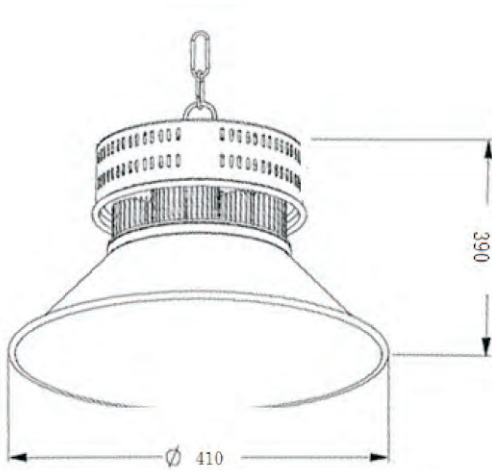
Features:



Lighting Source



Model : HB-A100-N118E



Standard

Standard Size(mm)	Ø 410*390mm
Voltage (V)	AC85~265V
Beam Angle	120 degree
CRI	>80Ra
Luminous Efficacy	110 lm/w
Power Factor	> 0.90
Power (W)	40W
Cover Material	Aluminum , PC Cover
Color Temperature	2700K-6500K
Life Time	50,000(H)

High Bay LED Light

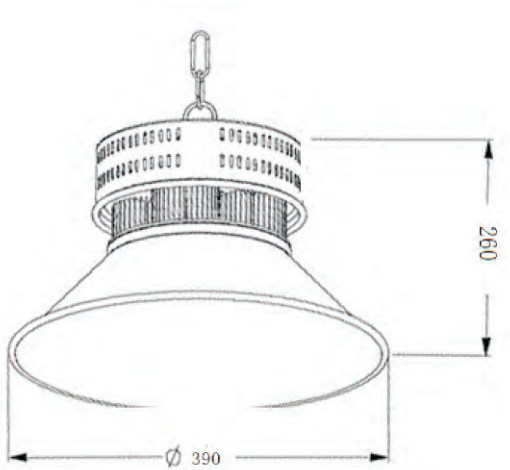
Model : HB-A40-L108B

Features:

iLIGHTING
Green • Professional



Model : HB-A40-L108B



Standard

Standard Size(mm)	Ø 390*260mm
Voltage (V)	AC85~265V
Beam Angle	90 degree
CRI	>80Ra
Luminous Efficacy	100 lm/w
Power Factor	> 0.90
Power (W)	40W
Cover Material	Aluminum , PC Cover
Color Temperature	2700K-6500K
Life Time	50,000(H)

Lighting Source

High Bay LED Light

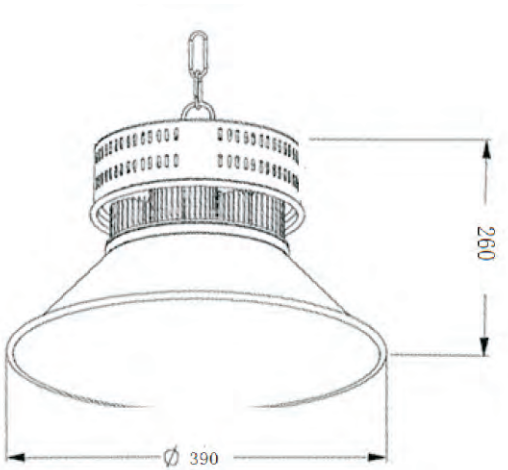
Model : HB-A40-L118B

Features:

iLIGHTING
Green • Professional



Model : HB-A40-L118B



Standard

Standard Size(mm)	Ø 390*260mm
Voltage (V)	AC85~265V
Beam Angle	90 degree
CRI	>80Ra
Luminous Efficacy	110 lm/w
Power Factor	> 0.90
Power (W)	40W
Cover Material	Aluminum , PC Cover
Color Temperature	2700K-6500K
Life Time	50,000(H)

Lighting Source

High Bay LED Light

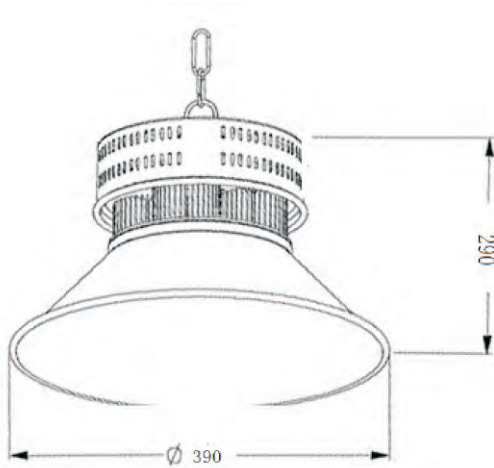
Model : HB-A80-L108B

Features:

iLIGHTING
Green • Professional



Model : HB-A80-L108B



Standard

Standard Size(mm)	Ø 390*290mm
Voltage (V)	AC85~265V
Beam Angle	90 degree
CRI	>80Ra
Luminous Efficacy	100 lm/w
Power Factor	> 0.90
Power (W)	80W
Cover Material	Aluminum , PC Cover
Color Temperature	2700K-6500K
Life Time	50,000(H)

Lighting Source

High Bay LED Light

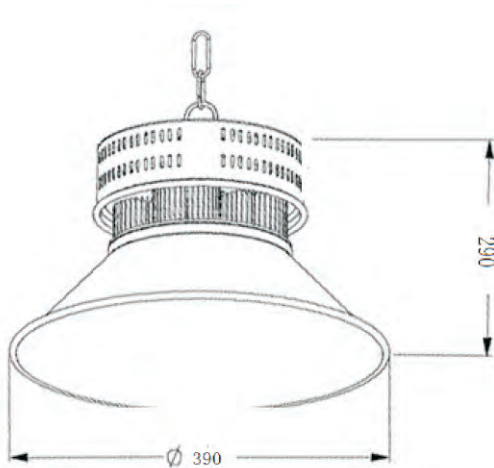
Model : HB-A80-L118B

Features:

iLIGHTING
Green • Professional



Model : HB-A80-L118B



Standard

Standard Size(mm)	Ø 390*290mm
Voltage (V)	AC85~265V
Beam Angle	90 degree
CRI	>80Ra
Luminous Efficacy	110 lm/w
Power Factor	> 0.90
Power (W)	80W
Cover Material	Aluminum , PC Cover
Color Temperature	2700K-6500K
Life Time	50,000(H)

Lighting Source

High Bay LED Light

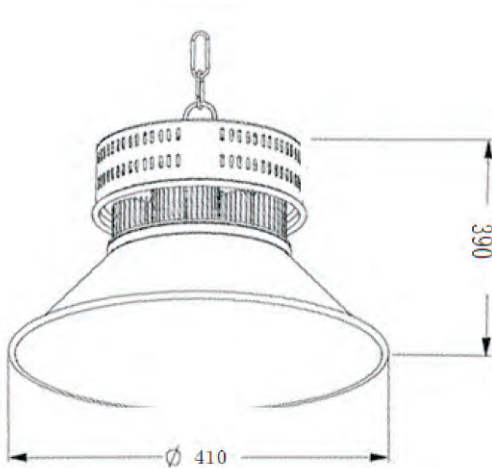
Model : HB-A100-L108B

Features:

iLIGHTING
Green • Professional



Model : HB-A100-L108B



Standard

Standard Size(mm)	Ø 410*390mm
Voltage (V)	AC85~265V
Beam Angle	90 degree
CRI	>80Ra
Luminous Efficacy	100 lm/w
Power Factor	> 0.90
Power (W)	100W
Cover Material	Aluminum , PC Cover
Color Temperature	2700K-6500K
Life Time	50,000(H)

Lighting Source

High Bay LED Light

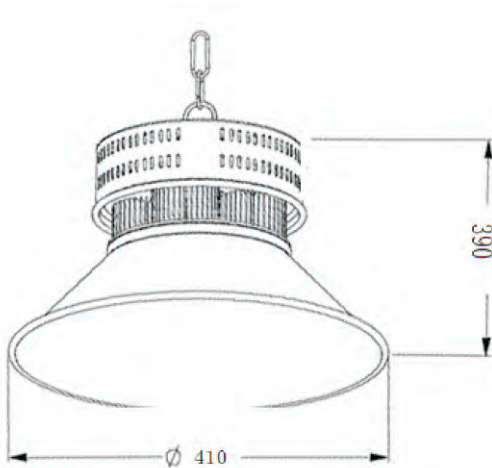
Model : HB-A115-L108B

Features:

iLIGHTING
Green • Professional



Model : HB-A115-L108B



Standard

Standard Size(mm)	Ø 410*390mm
Voltage (V)	AC85~265V
Beam Angle	90 degree
CRI	>80Ra
Luminous Efficacy	100 lm/w
Power Factor	> 0.90
Power (W)	115W
Cover Material	Aluminum , PC Cover
Color Temperature	2700K-6500K
Life Time	50,000(H)

Lighting Source

High Bay LED Light

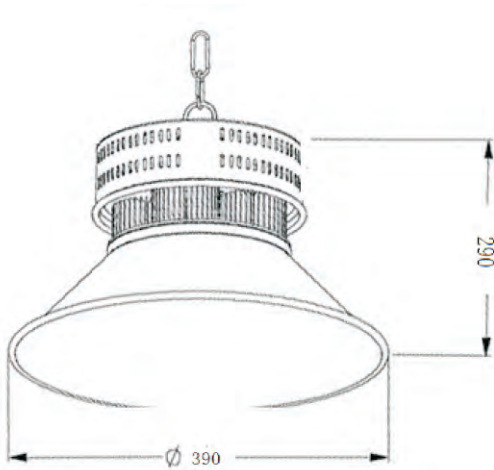
Model : HB-A80-H108E

Features:

iLIGHTING
Green • Professional



Model : HB-A80-H108E



Standard

Standard Size(mm)	Ø 390*260mm
Voltage (V)	AC85~265V
Beam Angle	120 degree
CRI	>80Ra
Luminous Efficacy	100 lm/w
Power Factor	> 0.90
Power (W)	80W
Cover Material	Aluminum , PC Cover
Color Temperature	2700K-6500K
Life Time	50,000(H)

Lighting Source

High Bay LED Light

Model : HB-A100-H108E

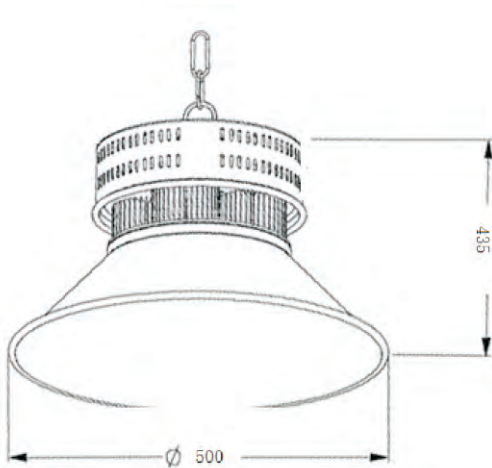
Features:



Lighting Source



Model : HB-A100-H108E



Standard

Standard Size(mm)	Ø 500*435mm
Voltage (V)	AC85~265V
Beam Angle	120 degree
CRI	>80Ra
Luminous Efficacy	100 lm/w
Power Factor	> 0.90
Power (W)	100W
Cover Material	Aluminum , PC Cover
Color Temperature	2700K-6500K
Life Time	50,000(H)

High Bay LED Light

Model : HB-A100-H128E

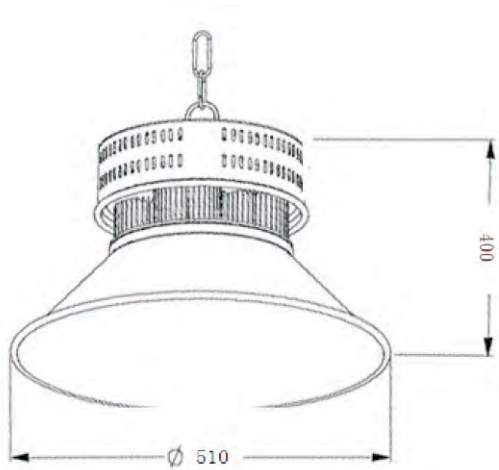
Features:

iLIGHTING
Green • Professional



Model : HB-A100-H128E

Lighting Source



Standard

Standard Size(mm)	Ø 510*400mm
Voltage (V)	AC85~265V
Beam Angle	60 degree
CRI	>80Ra
Luminous Efficacy	120 lm/w
Power Factor	> 0.90
Power (W)	100W
Cover Material	Aluminum , PC Cover
Color Temperature	2700K-6500K
Life Time	50,000(H)

High Bay LED Light

Model : HB-A150-H108E

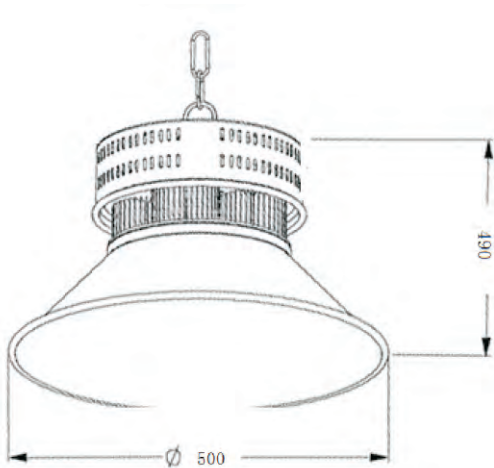
Features:



Lighting Source



Model : HB-A150-H108E



Standard

Standard Size(mm)	Ø 500*490mm
Voltage (V)	AC85~265V
Beam Angle	120 degree
CRI	>80Ra
Luminous Efficacy	100 lm/w
Power Factor	> 0.90
Power (W)	150W
Cover Material	Aluminum , PC Cover
Color Temperature	2700K-6500K
Life Time	50,000(H)

High Bay LED Light

Model : HB-A150-H118E

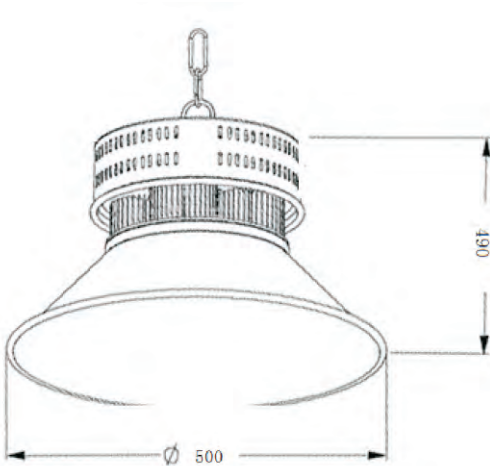
Features:



Lighting Source



Model : HB-A150-H118E



Standard

Standard Size(mm)	Ø 500*490mm
Voltage (V)	AC85~265V
Beam Angle	120 degree
CRI	>80Ra
Luminous Efficacy	140 lm/w
Power Factor	> 0.90
Power (W)	150W
Cover Material	Aluminum , PC Cover
Color Temperature	2700K-6500K
Life Time	50,000(H)

High Bay LED Light

Model : HB-A200-H108E

Features:

iLIGHTING
Green • Professional

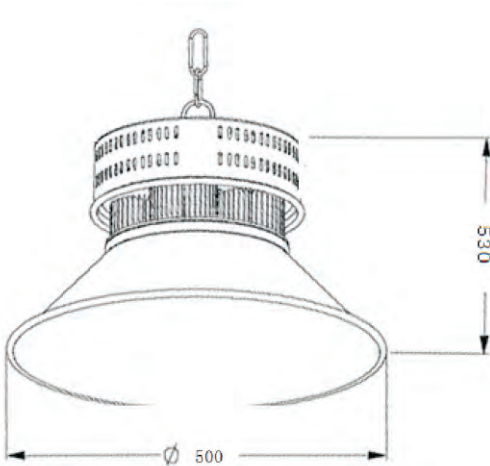


Model : HB-A200-H108E

Lighting Source

Standard

Standard Size(mm)	Ø 500*530mm
Voltage (V)	AC85~265V
Beam Angle	120 degree
CRI	>80Ra
Luminous Efficacy	100 lm/w
Power Factor	> 0.90
Power (W)	200W
Cover Material	Aluminum , PC Cover
Color Temperature	2700K-6500K
Life Time	50,000(H)



High Bay LED Light

Model : HB-A200-H128E

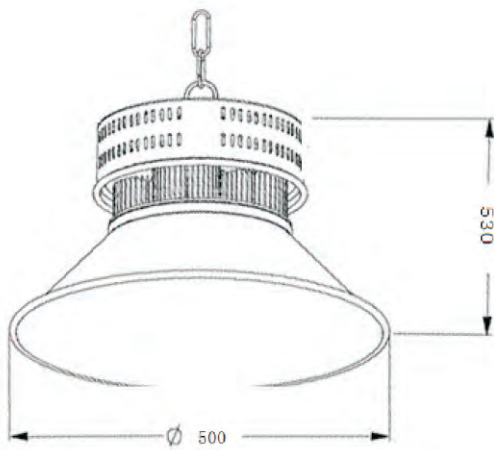
Features:



Lighting Source



Model : HB-A200-H128E



Standard

Standard Size(mm)	Ø 500*530mm
Voltage (V)	AC85~265V
Beam Angle	120 degree
CRI	>80Ra
Luminous Efficacy	120 lm/w
Power Factor	> 0.90
Power (W)	200W
Cover Material	Aluminum , PC Cover
Color Temperature	2700K-6500K
Life Time	50,000(H)

High Bay LED Light

Model : HB-A400-H108E

Features:

iLIGHTING
Green • Professional

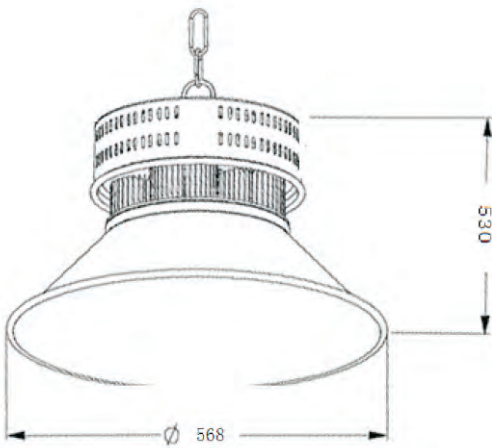


Model : HB-A400-H108E

Lighting Source

Standard

Standard Size(mm)	Ø 568*530mm
Voltage (V)	AC85~265V
Beam Angle	120 degree
CRI	>80Ra
Luminous Efficacy	100 lm/w
Power Factor	> 0.90
Power (W)	400W
Cover Material	Aluminum , PC Cover
Color Temperature	2700K-6500K
Life Time	50,000(H)



High Bay LED Light

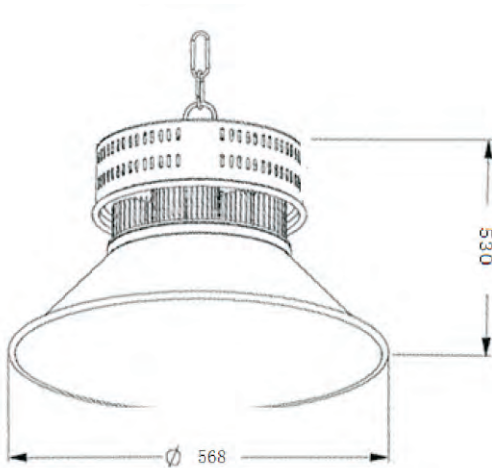
Model : HB-A400-H118E

Features:

iLIGHTING
Green • Professional



Model : HB-A400-H118E



Standard

Standard Size(mm)	Ø568*530mm
Voltage (V)	AC85~265V
Beam Angle	120 degree
CRI	>80Ra
Luminous Efficacy	110 lm/w
Power Factor	> 0.90
Power (W)	400W
Cover Material	Aluminum , PC Cover
Color Temperature	2700K-6500K
Life Time	50,000(H)

Lighting Source

High Bay LED Light

Model : HB-IP100-O108F

Features:

- *Available in 100W
- *IP 65 protection level
- *High luminous efficacy 100lm



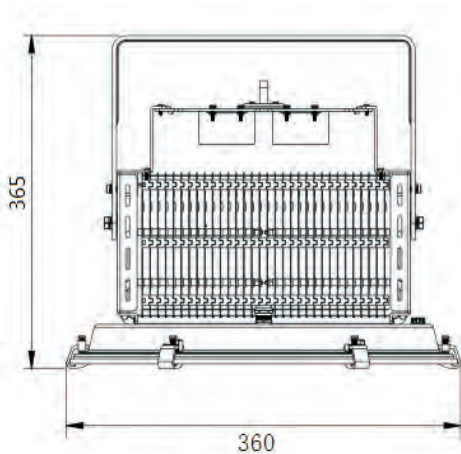
Lighting Source



Model : HB-IP100-O108F

Standard

Standard Size(mm)	Ø 360*365mm
Voltage (V)	AC85~265V
Beam Angle	90 degree
CRI	>80Ra
Luminous Efficacy	100 lm/w
Power Factor	> 0.90
Power (W)	100W
Cover Material	Aluminum , PC Cover
Color Temperature	2700K-6500K
Life Time	50,000(H)
IP Grade	IP 65



High Bay LED Light

Model : HB-IP150-O108F

Features:

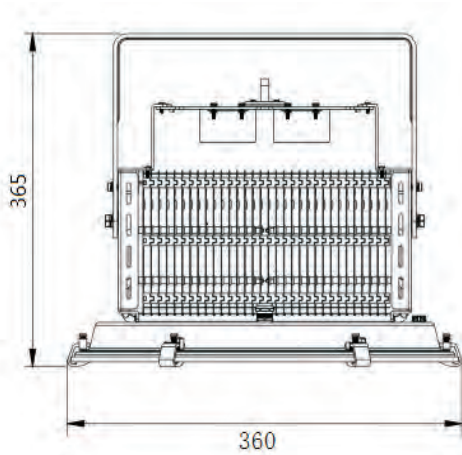
- *Available in 150W
- *IP 65 protection level
- *High luminous efficacy 100lm



Model : HB-IP150-O108F

Standard

Standard Size(mm)	Ø 360*365mm
Voltage (V)	AC85~265V
Beam Angle	90 degree
CRI	>80Ra
Luminous Efficacy	100 lm/w
Power Factor	> 0.90
Power (W)	150W
Cover Material	Aluminum , PC Cover
Color Temperature	2700K-6500K
Life Time	50,000(H)
IP Grade	IP 65



High Bay LED Light

Model : HB-IP200-O108F

Features:

- *Available in 200W
- *IP 65 protection level
- *High luminous efficacy 100lm

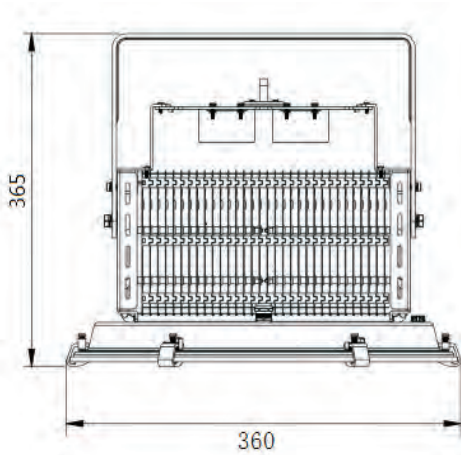


Model : HB-IP200-O108F

Lighting Source

Standard

Standard Size(mm)	Ø 360*365mm
Voltage (V)	AC85~265V
Beam Angle	90 degree
CRI	>80Ra
Luminous Efficacy	100 lm/w
Power Factor	> 0.90
Power (W)	200W
Cover Material	Aluminum , PC Cover
Color Temperature	2700K-6500K
Life Time	50,000(H)
IP Grade	IP 65



High Bay LED Light

Model : HB-IP300-O108F

Features:

- *Available in 300W
- *IP 65 protection level
- *High luminous efficacy 100lm



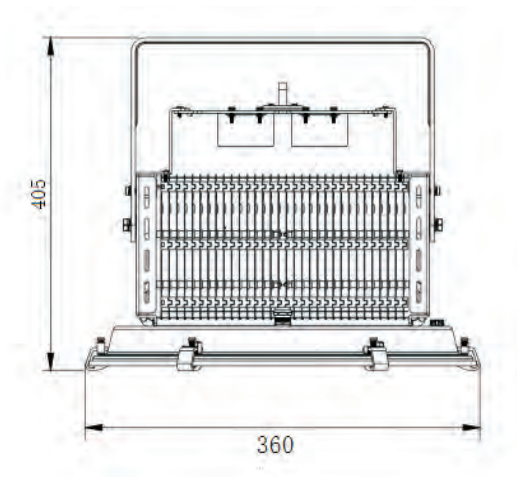
Lighting Source



Model : HB-IP300-O108F

Standard

Standard Size(mm)	Ø 360*405mm
Voltage (V)	AC85~265V
Beam Angle	90 degree
CRI	>80Ra
Luminous Efficacy	100 lm/w
Power Factor	> 0.90
Power (W)	300W
Cover Material	Aluminum , PC Cover
Color Temperature	2700K-6500K
Life Time	50,000(H)
IP Grade	IP 65



High Bay LED Light

Model : HB-IP400-O108F

Features:

- *Available in 400W
- *IP 65 protection level
- *High luminous efficacy 100lm

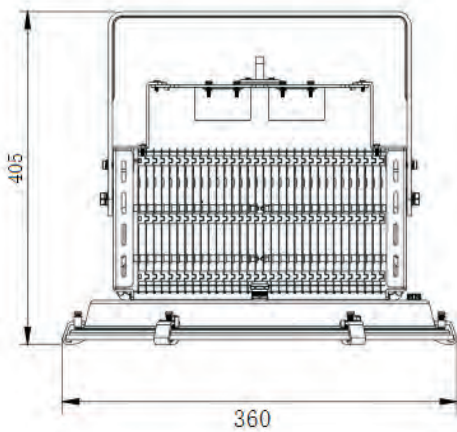
iLIGHTING
Green • Professional



Model : HB-IP400-O108F

Standard

Standard Size(mm)	Ø 360*405mm
Voltage (V)	AC85~265V
Beam Angle	90 degree
CRI	>80Ra
Luminous Efficacy	100 lm/w
Power Factor	> 0.90
Power (W)	400W
Cover Material	Aluminum , PC Cover
Color Temperature	2700K-6500K
Life Time	50,000(H)
IP Grade	IP 65



High Bay LED Light

Model : HB-IP500-O108F

Features:

- *Available in 500W
- *IP 65 protection level
- *High luminous efficacy 100lm



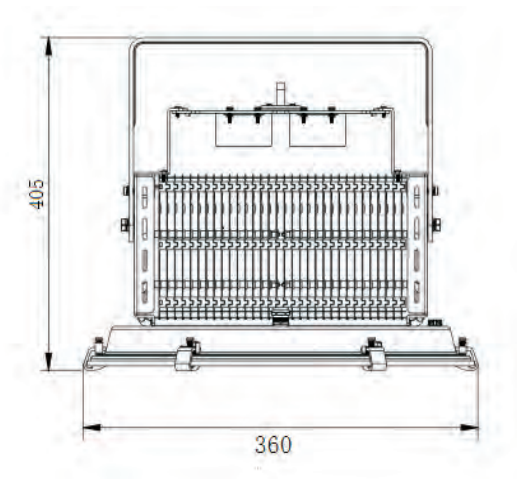
Lighting Source



Model : HB-IP500-O108F

Standard

Standard Size(mm)	Ø 360*405mm
Voltage (V)	AC85~265V
Beam Angle	90 degree
CRI	>80Ra
Luminous Efficacy	100 lm/w
Power Factor	> 0.90
Power (W)	500W
Cover Material	Aluminum , PC Cover
Color Temperature	2700K-6500K
Life Time	50,000(H)
IP Grade	IP 65



High Bay LED Light

Model : HB-IP120-N108F

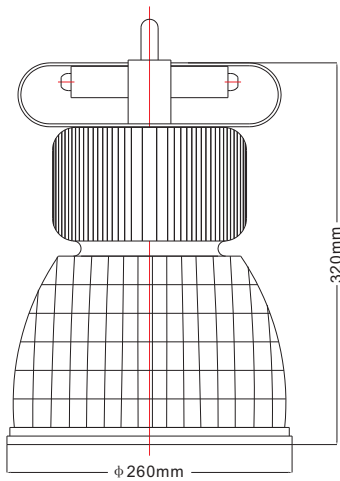
Features:



Lighting Source



Model : HB-IP120-N108F



Standard

Standard Size(mm)	Ø 260*320mm
Voltage (V)	AC85~265V
Beam Angle	90 degree
CRI	>80Ra
Luminous Efficacy	100 lm/w
Power Factor	> 0.90
Power (W)	120W
Cover Material	Aluminum , PC Cover
Color Temperature	2700K-6500K
Life Time	50,000(H)
IP Grade	IP 65

LED High Bay Light



Model : HB-A100-H148F-UFO

Features:

- *New design with lighter weight, and better heat dissipation
Stable quality, Easy to install
- *Angle locking design to ensure angle unchanged after prolong use

Environment:

- *Using the latest technology of heat radiation structure for longer product life
- *Installation options by pedestal, pendant, pole, Chain, Bracket etc
- *Available in 100W,120W,150W, 200W and 240W.
- *IP 65 protection level
- *High luminous efficacy 100-140lm/W



Model:HB-A100-H148F-UFO

Standard

Dimension	Ø280*150mm
Voltage (V)	AC85~265V
Beam Angle	60/90/120 degree
CRI	>80Ra
Luminous Efficacy	100~140 lm/w
Power Factor	> 0.90
Power (W)	100W/120W/150W/200W/240W
Material	AL 6063
Color Temperature	2700K-6500K
Life Time	50,000(H)
IP Grade	IP 65

