

CATALOG

7. LED Bulb

EASTLIKE LED Co., Ltd

LED Lighting
Series

Green

Low Carbon

Energy Saving





公司簡介 Company Profile



製造和營銷綠色低碳節能照明產品
Manufacturing And Marketing Green Low Carbon
And Energy Saving Lighting Products

LED Lighting



LED Lighting
EAST 

EASTLIKE LED COMPANY 東 欖 照 明 公 司

EASTLIKE LED Co., Ltd • emerges as a lighting designer manufacturer and supplier established in Hong Kong and Mainland China .

The company devotes herself in the development, manufacturing and marketing of green, low-carbon and energy-saving lighting products. we are proud to provide a wide range of LED products

東欖LED照明公司 • 您的照明設計師。

我們作為製造商和供應服務於香港和中國大陸。公司致力於開發，製造和行銷綠色，低碳和節能照明產品。

我們竭誠為您服務，為您提供種類繁多的LED產品。

目录

Content



P.01
LED 球泡燈



P.02
LED 鑽石紋球泡燈



P.03
高亮度LED球泡燈



P.04
LED 奶嘴復古燈絲球泡



P.05
LED 龍珠復古燈絲球泡



P.06
尖尾清光 LED 復古燈絲球泡



P.07
A60 LED 復古燈絲球泡



P.08
G125漸變LED復古燈絲球泡



P.09
St64奶嘴煙灰復古球泡



P.10
C35大拉尾透明球泡



P.11
G95 透明 LED 復古燈絲球泡



P.12
G95 內菠蘿 復古燈絲球泡



P.13

G95 外菠蘿 復古燈絲球泡



P.14

G85 鑽石 LED 復古燈絲球泡



P.15

C35 透明尖尾燈絲球泡



P.16

T25 透明長條 LED 燈絲球泡



P.17

LED 復古燈絲球泡



P.18

LED 復古燈絲球泡



P.19

LED 仿真火焰燈泡



P.20

尖泡款 LED 仿真火焰燈泡



P.21

LED 蠟燭燈泡



P.22

LED 蠟燭燈泡



P.23

LED 蠟燭燈泡



P.24

LED 蠟燭燈泡



P.25

LED 蠟燭燈泡



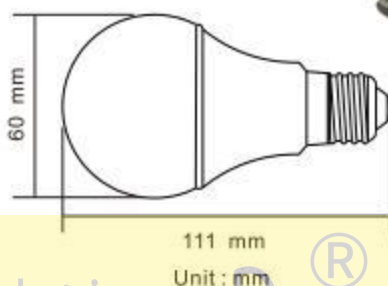
P.26

LED 蠟燭燈泡

LED Lighting®
EAST

LED Bulb Lamp

Series Type: EBLBL11



Features 產品特點

- ★ 無閃爍設計，無紫外線
- ★ 不含汞或其他有害物質
- ★ 外形美觀纖巧，適用於家居及商業使用
- ★ 長壽耐用，平均壽命高達30,000小時，環保省電
- ★ 安裝簡易，方便易用

- ★ Flicker free design, UV free
- ★ No mercury or other harmful substances
- ★ Beautiful and slim appearance, suitable for home and commercial use
- ★ Long life and durability, with an average life of up to 30000 hours, environmental protection and energy saving
- ★ Easy to install and use

Specification 產品規格

Model 型號	Voltage 電壓	Wattage 功率	Size 尺寸	Lamp Life 光度壽命	Colour Temp 色溫	Lumen Output 輸出流明	Color Rendering 顯色度	Beam Angle 光束角度	Operating Temperature 工作溫度
	(V)	(W)	(mm)	(Hrs)	(K)	(Lm)	(CRI)	(°)	(°C)
BL-P06-H108A4	220-240	6	Ø60*111	30,000	4000	500	>80	180	-20~45

Light efficiency (lm/W), Power (W), Color Rendering Index (CRI), Can be customized according to customer needs.

Our Standard Power factor (PF) > 0.9 and Total harmonic index THD < 15%, According to customer requirements can produce a lower THD < 10%.

This type of certification is issued by a government-approved laboratory for Safety certification, Fire testing, Restriction of Hazardous Substances (RoHS), Photobiological safety of lamps and lamp systems. (an Exemption Group) and other test certifications to ensure product quality

光效 (lm/W)、功率 (W)、顯色指數 (CRI)，可根據客戶需求定制。

此型號標準之功率因素 (PF) > 0.9，總諧波指數 THD < 15%，可按客戶需要生產低總諧波指數 < 10%。

此型號認證由可實驗室發出之安全認證消防測試，環保物料 (RoHS)，光生物安全為 Exemption Group 及其它測試，保證客戶使用更安心滿意。

LED Diamond Pattern Bulb Lamp

Series Type: EBLBD11



Features 產品特點

- ★ 無閃爍設計，無紫外線
- ★ 不含汞或其他有害物質
- ★ 外形美觀纖巧，適用於家居及商業使用
- ★ 長壽耐用，平均壽命高達30,000小時，環保省電
- ★ 安裝簡易，方便易用

- ★ Flicker free design, UV free
- ★ No mercury or other harmful substances
- ★ Beautiful and slim appearance, suitable for home and commercial use
- ★ Long life and durability, with an average life of up to 30000 hours, environmental protection and energy saving
- ★ Easy to install and use

Specification 產品規格

Model 型號	Voltage 電壓	Wattage 功率	Size 尺寸	Lamp Life 光度壽命	Colour Temp 色溫	Lumen Output 輸出流明	Color Rendering 顯色度	Beam Angle 光束角度	Operating Temperature 工作溫度
	(V)	(W)	(mm)	(Hrs)	(K)	(Lm)	(CRI)	(°)	(°C)
BL-P10-L108A6	220-240	10	Ø60*105	30,000	6000	500	>80	180	-20~45

Light efficiency (lm/W), Power (W), Color Rendering Index (CRI), Can be customized according to customer needs.

Our Standard Power factor (PF) > 0.9 and Total harmonic index THD < 15%, According to customer requirements can produce a lower THD < 10%.

This type of certification is issued by a government-approved laboratory for Safety certification, Fire testing, Restriction of Hazardous Substances (RoHS), Photobiological safety of lamps and lamp systems. (an Exemption Group) and other test certifications to ensure product quality

光效 (lm/W)、功率 (W)、顯色指數 (CRI)，可根據客戶需求定制。

此型號標準之功率因素 (PF) > 0.9，總諧波指數 THD < 15%，可按客戶需要生產低總諧波指數 < 10%。

此型號認證由可實驗室發出之安全認證消防測試，環保物料 (RoHS)，光生物安全為 Exemption Group 及其它測試，保證客戶使用更安心滿意。

High Brightness LED Bulb

Series Type: EBLHL11



Features 產品特點

- ★ 可代替傳統鎢絲燈膽：100W, 可代替傳統螢光燈膽：20W
- ★ 比GLS節能90%，比CFL節能70%
- ★ 無閃爍設計，無紫外線
- ★ 不含汞或其他有害物質
- ★ 外形美觀纖巧，適用於家居及商業使用
- ★ 長壽耐用，平均壽命高達30,000小時，環保省電

- ★ Can replace the traditional tungsten filament lamp: 100W, can replace the traditional fluorescent lamp: 20W
- ★ 90% more energy-saving than GLS and 70% more energy-saving than CFL
- ★ Flicker free design, UV free
- ★ No mercury or other harmful substances
- ★ Beautiful and slim appearance, suitable for home and business
- ★ Long life and durability, with an average life of up to 30000 hours

Specification 產品規格

Model 型號	Voltage 電壓 (V)	Wattage 功率 (W)	Size 尺寸 (mm)	Lamp Life 光度壽命 (Hrs)	Colour Temp 色溫 (K)	Lumen Output 輸出流明 (Lm)	Color Rendering 顯色度 (CRI)	Beam Angle 光速角度 (°)	Operating Temperature 工作溫度 (°C)
BL-P06-H158A4	220-240	6	Ø60*110	30,000	4000	900	>80	180	-20~45
BL-P06-H158A6	220-240	6	Ø60*110	30,000	6000	900	>80	180	-20~45

Light efficiency (lm/W), Power (W), Color Rendering Index (CRI), Can be customized according to customer needs.

Our Standard Power factor (PF) > 0.9 and Total harmonic index THD < 15%, According to customer requirements can produce a lower THD < 10%.

This type of certification is issued by a government-approved laboratory for Safety certification, Fire testing, Restriction of Hazardous Substances (RoHS), Photobiological safety of lamps and lamp systems. (an Exemption Group) and other test certifications to ensure product quality

光效 (lm/W)、功率 (W)、顯色指數 (CRI)，可根據客戶需求定制。

此型號標準之功率因素 (PF) > 0.9, 總諧波指數 THD < 15%, 可按客戶需要生產低總諧波指數 < 10%。

此型號認證由可實驗室發出之安全認證消防測試, 環保物料 (RoHS), 光生物安全為 Exemption Group 及其它測試, 保證客戶使用更安心滿意。

LED Retro Filament Bulb

Series Type: EBLUU14



Features 產品特點

- ★ 復古造型，代替復古鎢絲燈不僅有暖暖的燈光，而且壽命長
- ★ 長壽耐用，平均壽命高達30,000小時，環保省電
- ★ LED燈絲，比傳統鎢絲更安全、更節能
- ★ 安裝簡易，方便易用外形美觀纖巧，適用於家居及商業使用

- ★ Retro modeling, instead of retro tungsten lamp
- ★ Long and durable, with an average life of 30000 hours, environmental protection and energy saving
- ★ Led filament is safer and more energy-saving than traditional tungsten filament
- ★ Easy to install, easy to use, beautiful and delicate appearance, suitable for home and commercial use

Specification 產品規格

Model 型號	Voltage 電壓	Wattage 功率	Size 尺寸	Lamp Life 光度壽命	Colour Temp 色溫	Lumen Output 輸出流明	Color Rendering 顯色度	Beam Angle 光束角度	Operating Temperature 工作溫度
	(V)	(W)	(mm)	(Hrs)	(K)	(Lm)	(CRI)	(°)	(°C)
BL-ST64-A	220-240	6	Ø64*140	30,000	2200	560~600	>80	360	-20~45

Light efficiency (lm/W), Power (W), Color Rendering Index (CRI), Can be customized according to customer needs.

Our Standard Power factor (PF) > 0.9 and Total harmonic index THD < 15%, According to customer requirements can produce a lower THD < 10%.

This type of certification is issued by a government-approved laboratory for Safety certification, Fire testing, Restriction of Hazardous Substances (RoHS), Photobiological safety of lamps and lamp systems. (an Exemption Group) and other test certifications to ensure product quality

光效 (lm/W)、功率 (W)、顯色指數 (CRI)，可根據客戶需求定制。

此型號標準之功率因素 (PF) > 0.9，總諧波指數 THD < 15%，可按客戶需要生產低總諧波指數 < 10%。

此型號認證由可實驗室發出之安全認證消防測試，環保物料 (RoHS)，光生物安全為 Exemption Group 及其它測試，保證客戶使用更安心滿意。

LED Retro Filament Bulb

Series Type: EBLU012



Features 產品特點

- ★ 復古造型，代替復古鎢絲燈不僅有暖暖的燈光，而且壽命長
- ★ 長壽耐用，平均壽命高達30,000小時，環保節電
- ★ LED 燈絲，比傳統鎢絲更安全、更節能
- ★ 安裝簡易，方便易用外形美觀纖巧，適用於家居及商業使用

- ★ Retro modeling, instead of retro tungsten lamp
- ★ Long and durable, with an average life of 30000 hours, environmental protection and energy saving
- ★ Led filament is safer and more energy-saving than traditional tungsten filament
- ★ Easy to install, easy to use, beautiful and delicate appearance, suitable for home and commercial use

Specification 產品規格

Model 型號	Voltage 電壓 (V)	Wattage 功率 (W)	Size 尺寸 (mm)	Lamp Life 光度壽命 (Hrs)	Colour Temp 色溫 (K)	Lumen Output 輸出流明 (Lm)	Color Rendering 顯色度 (CRI)	Beam Angle 光速角度 (°)	Operating Temperature 工作溫度 (°C)
BL-G80	220-240	6	Ø80*120	30,000	2200	560~600	>80	360	-20~45

Light efficiency (lm/W), Power (W), Color Rendering Index (CRI), Can be customized according to customer needs.

Our Standard Power factor (PF) > 0.9 and Total harmonic index THD < 15%, According to customer requirements can produce a lower THD < 10%.

This type of certification is issued by a government-approved laboratory for Safety certification, Fire testing, Restriction of Hazardous Substances (RoHS), Photobiological safety of lamps and lamp systems, (an Exemption Group) and other test certifications to ensure product quality

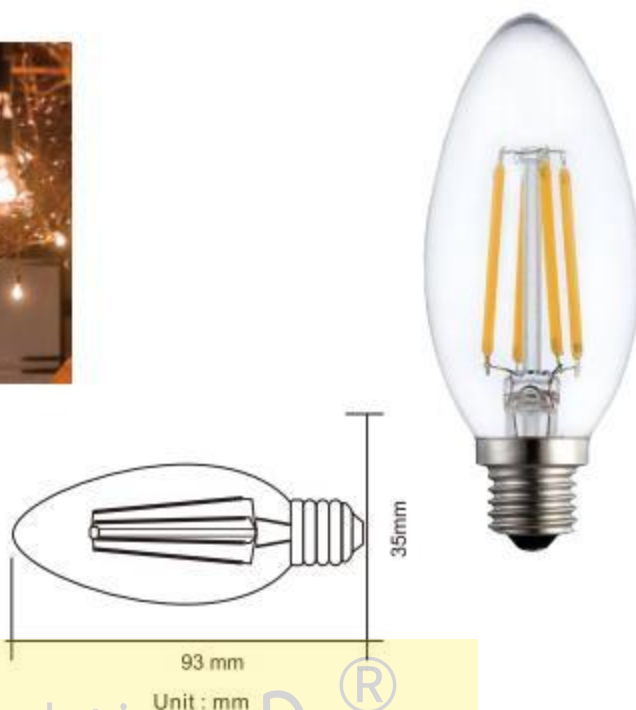
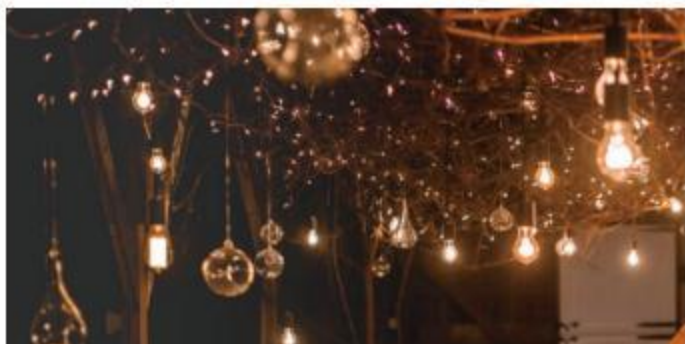
光效 (lm/W)、功率 (W)、顯色指數 (CRI)，可根據客戶需求定制。

此型號標準之功率因素 (PF) > 0.9，總諧波指數 THD < 15%，可按客戶需要生產低總諧波指數 < 10%。

此型號認證由可實驗室發出之安全認證消防測試，環保物料 (RoHS)，光生物安全為 Exemption Group 及其它測試，保證客戶使用更安心滿意。

LED Retro Filament Bulb

Series Type: EBLUV09



Features 產品特點

- ★ 無閃爍設計，無紫外線，不含汞或其他有害物質
- ★ 復古造型，代替鎢絲燈不僅有暖暖的燈光，而且壽命長
- ★ 長壽耐用，平均壽命高達30,000小時，環保省電
- ★ LED燈絲，比傳統鎢絲更安全、更節能
- ★ 安裝簡易，方便易用外形美觀纖巧，適用於家居及商業使用

- ★ No flicker design, no ultraviolet, no mercury or other harmful substances
- ★ Retro modeling, instead of retro tungsten lamp
- ★ Long and durable, with an average life of 30000 hours, environmental protection and energy saving
- ★ Easy to install, easy to use, beautiful and delicate appearance, suitable for home and commercial use

Specification 產品規格

Model 型號	Voltage 電壓	Wattage 功率	Size 尺寸	Lamp Life 光度壽命	Colour Temp 色溫	Lumen Output 輸出流明	Color Rendering 顯色度	Beam Angle 光速角度	Operating Temperature 工作溫度
	(V)	(W)	(mm)	(Hrs)	(K)	(Lm)	(CRI)	(°)	(°C)
BL-C35-T	220-240	4	Ø35*93	30,000	2200	400	>80	360	-20~45

Light efficiency (lm/W), Power (W), Color Rendering Index (CRI), Can be customized according to customer needs.

Our Standard Power factor (PF) > 0.9 and Total harmonic index THD < 15%, According to customer requirements can produce a lower THD < 10%.

This type of certification is issued by a government-approved laboratory for Safety certification, Fire testing, Restriction of Hazardous Substances (RoHS), Photobiological safety of lamps and lamp systems. (an Exemption Group) and other test certifications to ensure product quality

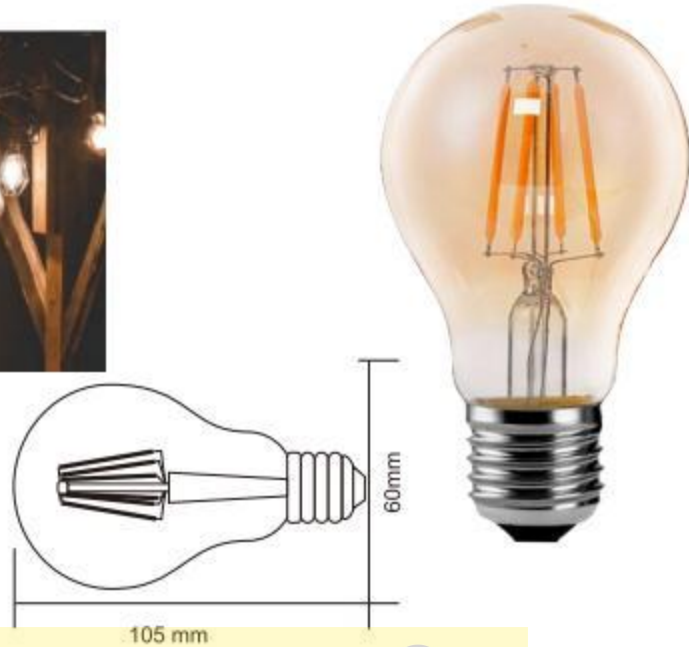
光效 (lm/W)、功率 (W)、顯色指數 (CRI)，可根據客戶需求定制。

此型號標準之功率因素 (PF) > 0.9，總諧波指數 THD < 15%，可按客戶需要生產低總諧波指數 < 10%。

此型號認證由可實驗室發出之安全認證消防測試，環保物料 (RoHS)，光生物安全為 Exemption Group 及其它測試，保證客戶使用更安心滿意。

A60 LED Retro Filament Bulb

Series Type: EBLUS14



Features 產品特點

- ★ 復古造型，代替復古鎢絲燈不僅有暖暖的燈光，而且壽命長
- ★ 長壽耐用，平均壽命高達30,000小時，環保省電
- ★ LED 燈絲，比傳統鎢絲更安全、更節能
- ★ 安裝簡易，方便易用外形美觀纖巧，適用於家居及商業使用

- ★ Retro modeling, instead of retro tungsten lamp
- ★ Long and durable, with an average life of 30000 hours, environmental protection and energy saving
- ★ Led filament is safer and more energy-saving than traditional tungsten filament
- ★ Easy to install, easy to use, beautiful and delicate appearance, suitable for home and commercial use

Specification 產品規格

Model 型號	Voltage 電壓 (V)	Wattage 功率 (W)	Size 尺寸 (mm)	Lamp Life 光度壽命 (Hrs)	Colour Temp 色溫 (K)	Lumen Output 輸出流明 (Lm)	Color Rendering 顯色度 (CRI)	Beam Angle 光速角度 (°)	Operating Temperature 工作溫度 (°C)
BL-GA60	220-240	6	Ø60*105	30,000	2200	560~600	>80	360	-20~45

Light efficiency (lm/W), Power (W), Color Rendering Index (CRI), Can be customized according to customer needs.

Our Standard Power factor (PF) > 0.9 and Total harmonic index THD < 15%, According to customer requirements can produce a lower THD < 10%.

This type of certification is issued by a government-approved laboratory for Safety certification, Fire testing, Restriction of Hazardous Substances (RoHS), Photobiological safety of lamps and lamp systems, (an Exemption Group) and other test certifications to ensure product quality

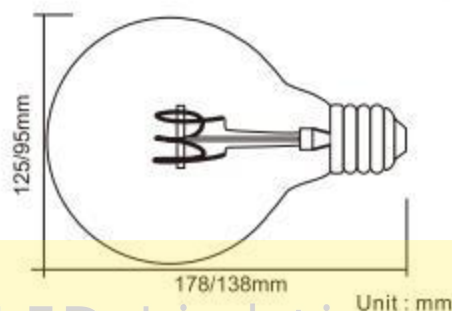
光效 (lm/W)、功率 (W)、顯色指數 (CRI)，可根據客戶需求定制。

此型號標準之功率因素 (PF) > 0.9，總諧波指數 THD < 15%，可按客戶需要生產低總諧波指數 < 10%。

此型號認證由可實驗室發出之安全認證消防測試，環保物料 (RoHS)，光生物安全為 Exemption Group 及其它測試，保證客戶使用更安心滿意。

Led Retro Filament Bulb

Series Type: EBLUG18



Features 產品特點

- ★ 無閃爍設計，無紫外線，不含汞或其他有害物質
- ★ 復古造型，代替復古鎢絲燈，漸變色彩，時尚美觀
- ★ 長壽耐用，平均壽命高達30,000小時，環保恆電
- ★ 柔性LED燈絲，比傳統鎢絲更安全、更節能
- ★ 安裝簡易，方便易用外形美觀纖巧，適用於家居及商業使用

- ★ No flicker design, no ultraviolet, no mercury or other harmful substances
- ★ Retro style, instead of retro tungsten lamp, gradient color, fashionable and beautiful
- ★ Long and durable, with an average life of 30000 hours, environmental protection and energy saving
- ★ Easy to install, easy to use, beautiful and delicate appearance, suitable for home and commercial use

Specification 產品規格

Model 型號	Voltage 電壓 (V)	Wattage 功率 (W)	Size 尺寸 (mm)	Lamp Life 光度壽命 (Hrs)	Colour Temp 色溫 (K)	Lumen Output 輸出流明 (Lm)	Color Rendering 顯色度 (CRI)	Beam Angle 光速角度 (°)	Operating Temperature 工作溫度 (°C)
BL-G125-A118	220-240	3	Ø125*176	30,000	2200	330	>80	360	-20~45
BL-G95-A88	220-240	3	Ø95*138	30,000	2200	250	>80	360	-20~45

Light efficiency (lm/W), Power (W), Color Rendering Index (CRI), Can be customized according to customer needs.

Our Standard Power factor (PF) > 0.9 and Total harmonic index THD < 15%, According to customer requirements can produce a lower THD < 10%.

This type of certification is issued by a government-approved laboratory for Safety certification, Fire testing, Restriction of Hazardous Substances (RoHS), Photobiological safety of lamps and lamp systems. (an Exemption Group) and other test certifications to ensure product quality

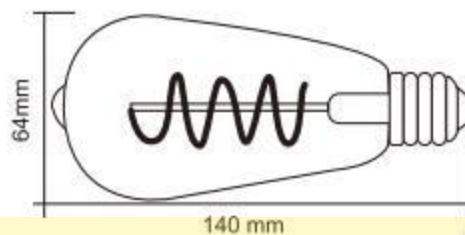
光效 (lm/W)、功率 (W)、顯色指數 (CRI)，可根據客戶需求定制。

此型號標準之功率因素 (PF) > 0.9，總諧波指數 THD < 15%，可按客戶需要生產低總諧波指數 < 10%。

此型號認證由可實驗室發出之安全認證消防測試，環保物料 (RoHS)，光生物安全為 Exemption Group 及其它測試，保證客戶使用更安心滿意。

St64 Soot LED Retro Filament Bulb

Series Type: EBLUS14



140 mm

64mm

Unit : mm

Features 產品特點

- ★ 無閃爍設計, 無紫外線, 不含汞或其他有害物質
- ★ 復古造型, 代替復古鎢絲燈, 漸變色彩, 時尚美觀
- ★ 長壽耐用, 平均壽命高達30,000小時, 環保省電
- ★ 柔性LED燈絲, 比傳統鎢絲更安全、更節能
- ★ 安裝簡易, 方便易用外形美觀纖巧, 適用於家居及商業使用

- ★ No flicker design, no ultraviolet, no mercury or other harmful substances
- ★ Retro style, instead of retro tungsten lamp, gradient color, fashionable and beautiful
- ★ Long and durable, with an average life of 30000 hours, environmental protection and energy saving
- ★ Easy to install, easy to use, beautiful and delicate appearance, suitable for home and commercial use

Specification 產品規格

Model 型號	Voltage 電壓 (V)	Wattage 功率 (W)	Size 尺寸 (mm)	Lamp Life 光度壽命 (Hrs)	Colour Temp 色溫 (K)	Lumen Output 輸出流明 (Lm)	Color Rendering 顯色度 (CRI)	Beam Angle 光速角度 (°)	Operating Temperature 工作溫度 (°C)
BL-ST64-B	220-240	4	Ø64*140	30,000	2100	400	>80	360	-20~45

Light efficiency (lm/W), Power (W), Color Rendering Index (CRI), Can be customized according to customer needs.

Our Standard Power factor (PF) > 0.9 and Total harmonic index THD < 15%, According to customer requirements can produce a lower THD < 10%.

This type of certification is issued by a government-approved laboratory for Safety certification, Fire testing, Restriction of Hazardous Substances (RoHS), Photobiological safety of lamps and lamp systems, (an Exemption Group) and other test certifications to ensure product quality

光效 (lm/W)、功率 (W)、顯色指數 (CRI), 可根據客戶需求定制。

此型號標準之功率因素 (PF) > 0.9, 總諧波指數 THD < 15%, 可按客戶需要生產低總諧波指數 < 10%。

此型號認證由可實驗室發出之安全認證消防測試, 環保物料 (RoHS), 光生物安全為 Exemption Group 及其它測試, 保證客戶使用更安心滿意。

C35 LED Retro Filament Bulb

Series Type: EBLUV12



Features 產品特點

- ★ 復古造型，代替復古鎢絲燈不僅有暖暖的燈光，而且壽命長
- ★ 長壽耐用，平均壽命高達30,000小時，環保慳電
- ★ LED燈絲，比傳統鎢絲更安全、更節能
- ★ 安裝簡易，方便易用外形美觀纖巧，適用於家居及商業使用

- ★ Retro modeling, instead of retro tungsten lamp
- ★ Long and durable, with an average life of 30000 hours, environmental protection and energy saving
- ★ Led filament is safer and more energy-saving than traditional tungsten filament
- ★ Easy to install, easy to use, beautiful and delicate appearance, suitable for home and commercial use

Specification 產品規格

Model 型號	Voltage 電壓 (V)	Wattage 功率 (W)	Size 尺寸 (mm)	Lamp Life 光度壽命 (Hrs)	Colour Temp 色溫 (K)	Lumen Output 輸出流明 (Lm)	Color Rendering 顯色度 (CRI)	Beam Angle 光透角度 (°)	Operating Temperature 工作溫度 (°C)
BL-C35-P	220-240	6	Ø35*123	30,000	6000	600	>80	360	-20~45

Light efficiency (lm/W), Power (W), Color Rendering Index (CRI), Can be customized according to customer needs.

Our Standard Power factor (PF) > 0.9 and Total harmonic index THD < 15%, According to customer requirements can produce a lower THD < 10%.

This type of certification is issued by a government-approved laboratory for Safety certification, Fire testing, Restriction of Hazardous Substances (RoHS), Photobiological safety of lamps and lamp systems. (an Exemption Group) and other test certifications to ensure product quality

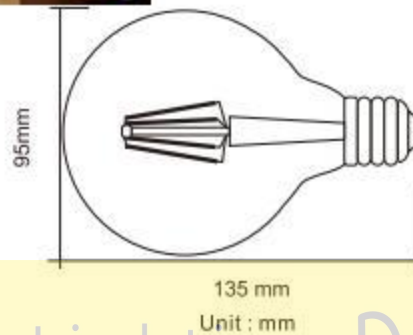
光效 (lm/W)、功率 (W)、顯色指數 (CRI)，可根據客戶需求定制。

此型號標準之功率因素 (PF) > 0.9，總諧波指數 THD < 15%，可按客戶需要生產低總諧波指數 < 10%。

此型號認證由可實驗室發出之安全認證消防測試，環保物料 (RoHS)，光生物安全為 Exemption Group 及其它測試，保證客戶使用更安心滿意。

G95 Transparent LED Retro Filament Bulb

Series Type: EBLUT14



Features 產品特點

- ★ 復古造型，代替復古鎢絲燈不僅有暖暖的燈光，而且壽命長
- ★ 長壽耐用，平均壽命高達30,000小時，環保慳電
- ★ LED 燈絲，比傳統鎢絲更安全、更節能
- ★ 安裝簡易，方便易用外形美觀纖巧，適用於家居及商業使用

- ★ Retro modeling, instead of retro tungsten lamp
- ★ Long and durable, with an average life of 30000 hours, environmental protection and energy saving
- ★ Led filament is safer and more energy-saving than traditional tungsten filament
- ★ Easy to install, easy to use, beautiful and delicate appearance, suitable for home and commercial use

Specification 產品規格

Model 型號	Voltage 電壓	Wattage 功率	Size 尺寸	Lamp Life 光度壽命	Colour Temp 色溫	Lumen Output 輸出流明	Color Rendering 顯色度	Beam Angle 光速角度	Operating Temperature 工作溫度
	(V)	(W)	(mm)	(Hrs)	(K)	(Lm)	(CRI)	(°)	(°C)
BL-G95-B	220-240	4	Ø64*140	30,000	2200	360	>80	360	-20~45

Light efficiency (lm/W), Power (W), Color Rendering Index (CRI), Can be customized according to customer needs.

Our Standard Power factor (PF) > 0.9 and Total harmonic index THD < 15%, According to customer requirements can produce a lower THD < 10%.

This type of certification is issued by a government-approved laboratory for Safety certification, Fire testing, Restriction of Hazardous Substances (RoHS), Photobiological safety of lamps and lamp systems, (an Exemption Group) and other test certifications to ensure product quality

光效 (lm/W)、功率 (W)、顯色指數 (CRI)，可根據客戶需求定制。

此型號標準之功率因素 (PF) > 0.9，總諧波指數 THD < 15%，可按客戶需要生產低總諧波指數 < 10%。

此型號認證由可實驗室發出之安全認證消防測試，環保物料 (RoHS)，光生物安全為 Exemption Group 及其它測試，保證客戶使用更安心滿意。

G95 Golden LED Retro Filament Bulb

Series Type: EBLUP14-1



Features 產品特點

- ★ 復古造型，代替復古鎢絲燈不僅有暖暖的燈光，而且壽命長
- ★ 長壽耐用，平均壽命高達30,000小時，環保慳電
- ★ LED 燈絲，比傳統鎢絲更安全、更節能
- ★ 安裝簡易，方便易用外形美觀纖巧，適用於家居及商業使用
- ★ Retro modeling, instead of retro tungsten lamp
- ★ Long and durable, with an average life of 30000 hours, environmental protection and energy saving
- ★ Led filament is safer and more energy-saving than traditional tungsten filament
- ★ Easy to install, easy to use, beautiful and delicate appearance, suitable for home and commercial use

Specification 產品規格

Model 型號	Voltage 電壓 (V)	Wattage 功率 (W)	Size 尺寸 (mm)	Lamp Life 光度壽命 (Hrs)	Colour Temp 色溫 (K)	Lumen Output 輸出流明 (Lm)	Color Rendering 顯色度 (CRI)	Beam Angle 光透角度 (°)	Operating Temperature 工作溫度 (°C)
BL-G95-C1	220-240	2.4	Ø95*138	30,000	2200	180	>80	360	-20~45

Light efficiency (lm/W), Power (W), Color Rendering Index (CRI), Can be customized according to customer needs.

Our Standard Power factor (PF) > 0.9 and Total harmonic index THD < 15%, According to customer requirements can produce a lower THD < 10%.

This type of certification is issued by a government-approved laboratory for Safety certification, Fire testing, Restriction of Hazardous Substances (RoHS), Photobiological safety of lamps and lamp systems. (an Exemption Group) and other test certifications to ensure product quality

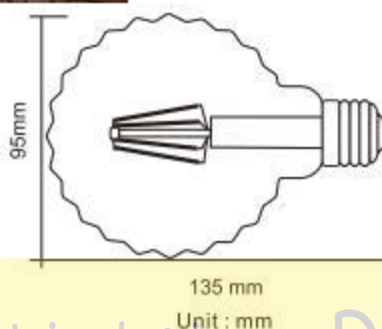
光效 (lm/W)、功率 (W)、顯色指數 (CRI)，可根據客戶需求定制。

此型號標準之功率因素 (PF) > 0.9，總諧波指數 THD < 15%，可按客戶需要生產低總諧波指數 < 10%。

此型號認證由可實驗室發出之安全認證消防測試，環保物料 (RoHS)，光生物安全為 Exemption Group 及其它測試，保證客戶使用更安心滿意。

G95 Golden LED Retro Filament Bulb

Series Type: EBLUT14-2



Features 產品特點

- ★ 復古造型，代替復古鎢絲燈不僅有暖暖的燈光，而且壽命長
- ★ 長壽耐用，平均壽命高達30,000小時，環保節電
- ★ LED 燈絲，比傳統鎢絲更安全、更節能
- ★ 安裝簡易，方便易用外形美觀纖巧，適用於家居及商業使用

- ★ Retro modeling, instead of retro tungsten lamp
- ★ Long and durable, with an average life of 30000 hours, environmental protection and energy saving
- ★ Led filament is safer and more energy-saving than traditional tungsten filament
- ★ Easy to install, easy to use, beautiful and delicate appearance, suitable for home and commercial use

Specification 產品規格

Model 型號	Voltage 電壓 (V)	Wattage 功率 (W)	Size 尺寸 (mm)	Lamp Life 光度壽命 (Hrs)	Colour Temp 色溫 (K)	Lumen Output 輸出流明 (Lm)	Color Rendering 顯色度 (CRI)	Beam Angle 光速角度 (°)	Operating Temperature 工作溫度 (°C)
BL-G95-C2	220-240	3.6	Ø64*140	30,000	2200	270	>80	360	-20~45

Light efficiency (lm/W), Power (W), Color Rendering Index (CRI), Can be customized according to customer needs.

Our Standard Power factor (PF) > 0.9 and Total harmonic index THD < 15%, According to customer requirements can produce a lower THD < 10%.

This type of certification is issued by a government-approved laboratory for Safety certification, Fire testing, Restriction of Hazardous Substances (RoHS), Photobiological safety of lamps and lamp systems, (an Exemption Group) and other test certifications to ensure product quality

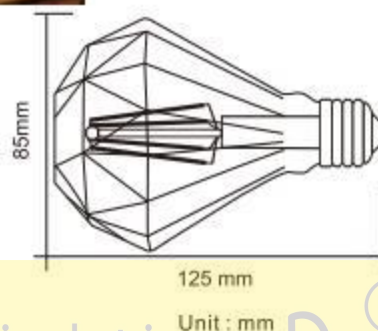
光效 (lm/W)、功率 (W)、顯色指數 (CRI)，可根據客戶需求定制。

此型號標準之功率因素 (PF) > 0.9，總諧波指數 THD < 15%，可按客戶需要生產低總諧波指數 < 10%。

此型號認證由可實驗室發出之安全認證消防測試，環保物料 (RoHS)，光生物安全為 Exemption Group 及其它測試，保證客戶使用更安心滿意。

G85 Diamond LED Retro Filament Bulb

Series Type: EBLUD13



Features 產品特點

- ★ 復古造型，代替復古鎢絲燈不僅有暖暖的燈光，而且壽命長
- ★ 長壽耐用，平均壽命高達30,000小時，環保慳電
- ★ LED 燈絲，比傳統鎢絲更安全、更節能
- ★ 安裝簡易，方便易用外形美觀纖巧，適用於家居及商業使用

- ★ Retro modeling, instead of retro tungsten lamp
- ★ Long and durable, with an average life of 30000 hours, environmental protection and energy saving
- ★ Led filament is safer and more energy-saving than traditional tungsten filament
- ★ Easy to install, easy to use, beautiful and delicate appearance, suitable for home and commercial use

Specification 產品規格

Model 型號	Voltage 電壓 (V)	Wattage 功率 (W)	Size 尺寸 (mm)	Lamp Life 光度壽命 (Hrs)	Colour Temp 色溫 (K)	Lumen Output 輸出流明 (Lm)	Color Rendering 顯色度 (CRI)	Beam Angle 光透角度 (°)	Operating Temperature 工作溫度 (°C)
BL-G85	220-240	2.4	Ø85*128	30,000	2200	170	>80	360	-20~45

Light efficiency (lm/W), Power (W), Color Rendering Index (CRI), Can be customized according to customer needs.

Our Standard Power factor (PF) > 0.9 and Total harmonic index THD < 15%, According to customer requirements can produce a lower THD < 10%.

This type of certification is issued by a government-approved laboratory for Safety certification, Fire testing, Restriction of Hazardous Substances (RoHS), Photobiological safety of lamps and lamp systems. (an Exemption Group) and other test certifications to ensure product quality

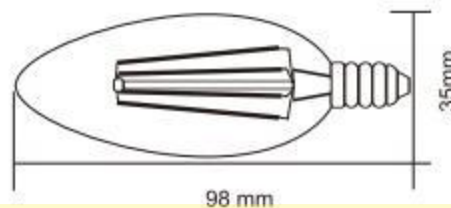
光效 (lm/W)、功率 (W)、顯色指數 (CRI)，可根據客戶需求定制。

此型號標準之功率因素 (PF) > 0.9，總諧波指數 THD < 15%，可按客戶需要生產低總諧波指數 < 10%。

此型號認證由可實驗室發出之安全認證消防測試，環保物料 (RoHS)，光生物安全為 Exemption Group 及其它測試，保證客戶使用更安心滿意。

C35 Pointed Tail LED Retro Filament Bulb

Series Type: EBLVT10



Features 產品特點

- ★ 復古造型，代替復古鎢絲燈不僅有暖暖的燈光，而且壽命長
- ★ 長壽耐用，平均壽命高達30,000小時，環保節電
- ★ LED 燈絲，比傳統鎢絲更安全、更節能
- ★ 安裝簡易，方便易用外形美觀纖巧，適用於家居及商業使用

- ★ Retro modeling, instead of retro tungsten lamp
- ★ Long and durable, with an average life of 30000 hours, environmental protection and energy saving
- ★ Led filament is safer and more energy-saving than traditional tungsten filament
- ★ Easy to install, easy to use, beautiful and delicate appearance, suitable for home and commercial use

Specification 產品規格

Model 型號	Voltage 電壓 (V)	Wattage 功率 (W)	Size 尺寸 (mm)	Lamp Life 光度壽命 (Hrs)	Colour Temp 色溫 (K)	Lumen Output 輸出流明 (Lm)	Color Rendering 顯色度 (CRI)	Beam Angle 光速角度 (°)	Operating Temperature 工作溫度 (°C)
BL-C35-T2	220-240	4	Ø35*98	30,000	2700	400	>80	360	-20~45

Light efficiency (lm/W), Power (W), Color Rendering Index (CRI), Can be customized according to customer needs.

Our Standard Power factor (PF) > 0.9 and Total harmonic index THD < 15%, According to customer requirements can produce a lower THD < 10%.

This type of certification is issued by a government-approved laboratory for Safety certification, Fire testing, Restriction of Hazardous Substances (RoHS), Photobiological safety of lamps and lamp systems, (an Exemption Group) and other test certifications to ensure product quality

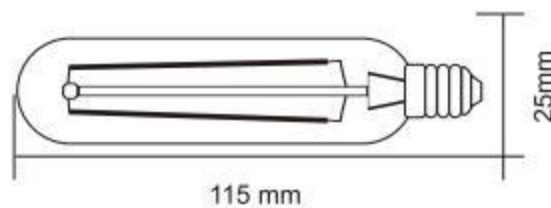
光效 (lm/W)、功率 (W)、顯色指數 (CRI)，可根據客戶需求定制。

此型號標準之功率因素 (PF) > 0.9，總諧波指數 THD < 15%，可按客戶需要生產低總諧波指數 < 10%。

此型號認證由可實驗室發出之安全認證消防測試，環保物料 (RoHS)，光生物安全為 Exemption Group 及其它測試，保證客戶使用更安心滿意。

T25 Long LED Retro Filament Bulb

Series Type: EBLLT12



Features 產品特點

- ★ 復古造型，代替復古鎢絲燈不僅有暖暖的燈光，而且壽命長
- ★ 長壽耐用，平均壽命高達30,000小時，環保慳電
- ★ LED 燈絲，比傳統鎢絲更安全、更節能
- ★ 安裝簡易，方便易用外形美觀纖巧，適用於家居及商業使用

- ★ Retro modeling, instead of retro tungsten lamp
- ★ Long and durable, with an average life of 30000 hours, environmental protection and energy saving
- ★ Led filament is safer and more energy-saving than traditional tungsten filament
- ★ Easy to install, easy to use, beautiful and delicate appearance, suitable for home and commercial use

Specification 產品規格

Model 型號	Voltage 電壓	Wattage 功率	Size 尺寸	Lamp Life 光度壽命	Colour Temp 色溫	Lumen Output 輸出流明	Color Rendering 顯色度	Beam Angle 光透角度	Operating Temperature 工作溫度
	(V)	(W)	(mm)	(Hrs)	(K)	(Lm)	(CRI)	(°)	(°C)
BL-T25	220-240	4	Ø85*128	30,000	2200	150	>80	360	-20~45

Light efficiency (lm/W), Power (W), Color Rendering Index (CRI), Can be customized according to customer needs.

Our Standard Power factor (PF) > 0.9 and Total harmonic index THD < 15%, According to customer requirements can produce a lower THD < 10%.

This type of certification is issued by a government-approved laboratory for Safety certification, Fire testing, Restriction of Hazardous Substances (RoHS), Photobiological safety of lamps and lamp systems. (an Exemption Group) and other test certifications to ensure product quality

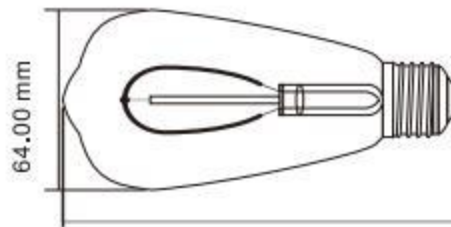
光效 (lm/W)、功率 (W)、顯色指數 (CRI)，可根據客戶需求定制。

此型號標準之功率因素 (PF) > 0.9，總諧波指數 THD < 15%，可按客戶需要生產低總諧波指數 < 10%。

此型號認證由可實驗室發出之安全認證消防測試，環保物料 (RoHS)，光生物安全為 Exemption Group 及其它測試，保證客戶使用更安心滿意。

LED Retro Filament Bulb

Series Type: EBLUM14-1



140.00 mm

Unit : mm

Features 產品特點

- ★ 復古造型，代替復古鎢絲燈不僅有暖暖的燈光，而且壽命長
- ★ 長壽耐用，平均壽命高達30,000小時，環保節電
- ★ LED 燈絲，比傳統鎢絲更安全、更節能
- ★ 安裝簡易，方便易用外形美觀纖巧，適用於家居及商業使用

- ★ Retro modeling, instead of retro tungsten lamp
- ★ Long and durable, with an average life of 30000 hours, environmental protection and energy saving
- ★ Led filament is safer and more energy-saving than traditional tungsten filament
- ★ Easy to install, easy to use, beautiful and delicate appearance, suitable for home and commercial use

Specification 產品規格

Model 型號	Voltage 電壓 (V)	Wattage 功率 (W)	Size 尺寸 (mm)	Lamp Life 光度壽命 (Hrs)	Colour Temp 色溫 (K)	Lumen Output 輸出流明 (Lm)	Color Rendering 顯色度 (CRI)	Beam Angle 光速角度 (°)	Operating Temperature 工作溫度 (°C)
BL-ST64-C1	220-240	4.5	Ø64*140	30,000	2700	240	>80	360	-20~45

Light efficiency (lm/W), Power (W), Color Rendering Index (CRI), Can be customized according to customer needs.

Our Standard Power factor (PF) > 0.9 and Total harmonic index THD < 15%, According to customer requirements can produce a lower THD < 10%.

This type of certification is issued by a government-approved laboratory for Safety certification, Fire testing, Restriction of Hazardous Substances (RoHS), Photobiological safety of lamps and lamp systems, (an Exemption Group) and other test certifications to ensure product quality

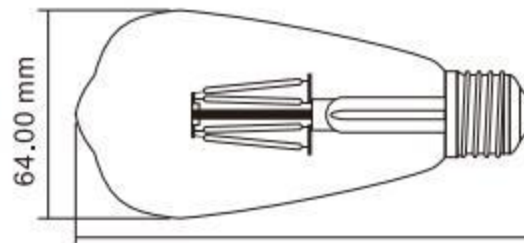
光效 (lm/W)、功率 (W)、顯色指數 (CRI)，可根據客戶需求定制。

此型號標準之功率因素 (PF) > 0.9，總諧波指數 THD < 15%，可按客戶需要生產低總諧波指數 < 10%。

此型號認證由可實驗室發出之安全認證消防測試，環保物料 (RoHS)，光生物安全為 Exemption Group 及其它測試，保證客戶使用更安心滿意。

LED Retro Filament Bulb

Series Type: EBLUM14-2



Features 產品特點

- ★ 復古造型，代替復古鎢絲燈不僅有暖暖的燈光，而且壽命長
- ★ 長壽耐用，平均壽命高達30,000小時，環保慳電
- ★ LED 燈絲，比傳統鎢絲更安全、更節能
- ★ 安裝簡易，方便易用外形美觀纖巧，適用於家居及商業使用
- ★ Retro modeling, instead of retro tungsten lamp
- ★ Long and durable, with an average life of 30000 hours, environmental protection and energy saving
- ★ Led filament is safer and more energy-saving than traditional tungsten filament
- ★ Easy to install, easy to use, beautiful and delicate appearance, suitable for home and commercial use

Specification 產品規格

Model 型號	Voltage 電壓	Wattage 功率	Size 尺寸	Lamp Life 光度壽命	Colour Temp 色溫	Lumen Output 輸出流明	Color Rendering 顯色度	Beam Angle 光透角度	Operating Temperature 工作溫度
	(V)	(W)	(mm)	(Hrs)	(K)	(Lm)	(CRI)	(°)	(°C)
BL-ST64-C2	220-240	4	Ø64*140	30,000	2200	200	>80	360	-20~45

Light efficiency (lm/W), Power (W), Color Rendering Index (CRI), Can be customized according to customer needs.

Our Standard Power factor (PF) > 0.9 and Total harmonic index THD < 15%, According to customer requirements can produce a lower THD < 10%.

This type of certification is issued by a government-approved laboratory for Safety certification, Fire testing, Restriction of Hazardous Substances (RoHS), Photobiological safety of lamps and lamp systems. (an Exemption Group) and other test certifications to ensure product quality

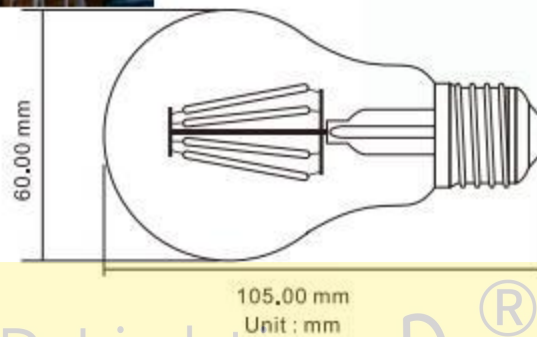
光效 (lm/W)、功率 (W)、顯色指數 (CRI)，可根據客戶需求定制。

此型號標準之功率因素 (PF) > 0.9，總諧波指數 THD < 15%，可按客戶需要生產低總諧波指數 < 10%。

此型號認證由可實驗室發出之安全認證消防測試，環保物料 (RoHS)，光生物安全為 Exemption Group 及其它測試，保證客戶使用更安心滿意。

LED Retro Filament Bulb

Series Type: EBLUM11



Features 產品特點

- ★ 復古造型，代替復古鎢絲燈不僅有暖暖的燈光，而且壽命長
- ★ 長壽耐用，平均壽命高達30,000小時，環保省電
- ★ LED 燈絲，比傳統鎢絲更安全、更節能
- ★ 安裝簡易，方便易用外形美觀纖巧，適用於家居及商業使用

- ★ Retro modeling, instead of retro tungsten lamp
- ★ Long and durable, with an average life of 30000 hours, environmental protection and energy saving
- ★ Led filament is safer and more energy-saving than traditional tungsten filament
- ★ Easy to install, easy to use, beautiful and delicate appearance, suitable for home and commercial use

Specification 產品規格

Model 型號	Voltage 電壓	Wattage 功率	Size 尺寸	Lamp Life 光度壽命	Colour Temp 色溫	Lumen Output 輸出流明	Color Rendering 顯色度	Beam Angle 光速角度	Operating Temperature 工作溫度
	(V)	(W)	(mm)	(Hrs)	(K)	(Lm)	(CRI)	(°)	(°C)
BL-A60	220-240	4	Ø60*105	30,000	2200	320	>80	360	-20~45

Light efficiency (lm/W), Power (W), Color Rendering Index (CRI), Can be customized according to customer needs.

Our Standard Power factor (PF) > 0.9 and Total harmonic index THD < 15%, According to customer requirements can produce a lower THD < 10%.

This type of certification is issued by a government-approved laboratory for Safety certification, Fire testing, Restriction of Hazardous Substances (RoHS), Photobiological safety of lamps and lamp systems, (an Exemption Group) and other test certifications to ensure product quality

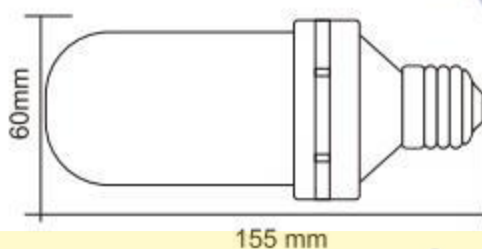
光效 (lm/W)、功率 (W)、顯色指數 (CRI)，可根據客戶需求定制。

此型號標準之功率因素 (PF) > 0.9，總諧波指數 THD < 15%，可按客戶需要生產低總諧波指數 < 10%。

此型號認證由可實驗室發出之安全認證消防測試，環保物料 (RoHS)，光生物安全為 Exemption Group 及其它測試，保證客戶使用更安心滿意。

LED Simulation Flame Bulb

Series Type: EBLFU16



Features 產品特點

- ★ LED仿真光效, 360度動態光效模擬自然火閃爍的火焰, 提升場景氛圍
- ★ 國際標準燈頭E27, 安裝便捷, 拆裝方便
- ★ 高品質PC材質面罩, 透光均勻, PP材質燈身, 快速散熱壽命長
- ★ 產品四檔模式可調: 火焰+呼吸+常亮+倒立
- ★ 適用於: 酒吧、酒店、夜總會、戶外花園、居家等場所氛圍裝飾

- ★ LED simulation light effect and 360 degree dynamic light effect simulate the flickering flame of natural fire to improve the scene atmosphere
- ★ The international standard lamp cap E27 is convenient for installation and disassembly
- ★ High quality PC mask, uniform light transmission, PP lamp body, fast heat dissipation and long service life
- ★ The four gear mode of the product is adjustable: flame + breathing + constant light + handstand
Suitable for: bar, hotel, nightclub, outdoor garden, home and other places atmosphere decoration

Specification 產品規格

Model 型號	Voltage 電壓	Wattage 功率	Size 尺寸	Lamp Life 光度壽命	Flame Colour 火焰顏色	Lumen Output 輸出流明	Color Rendering 顯色度	Beam Angle 光束角度	Operating Temperature 工作溫度
	(V)	(W)	(mm)	(Hrs)		(lm)	(CRI)	(°)	(°C)
BL-SF05	220-240	5	Ø64*140	30,000	yellow	230	>80	360	-20~45

Light efficiency (lm/W), Power (W), Color Rendering Index (CRI), Can be customized according to customer needs.

Our Standard Power factor (PF) > 0.9 and Total harmonic index THD < 15%, According to customer requirements can produce a lower THD < 10%.

This type of certification is issued by a government-approved laboratory for Safety certification, Fire testing, Restriction of Hazardous Substances (RoHS), Photobiological safety of lamps and lamp systems. (an Exemption Group) and other test certifications to ensure product quality

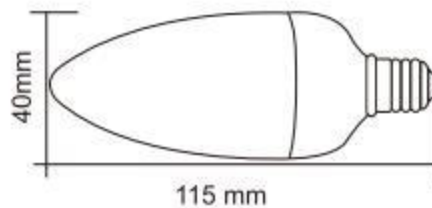
光效 (lm/W)、功率 (W)、顯色指數 (CRI), 可根據客戶需求定制。

此型號標準之功率因素 (PF) > 0.9, 總諧波指數 THD < 15%, 可按客戶需要生產低總諧波指數 < 10%。

此型號認證由可實驗室發出之安全認證消防測試, 環保物料 (RoHS), 光生物安全為 Exemption Group 及其它測試, 保證客戶使用更安心滿意。

Sharp Bubble LED Simulated Flame Bulb

Series Type: EBLFV12



Features 產品特點

- ★ LED仿真光效, 360度動態光效模擬自然火閃爍的火焰, 提升場景氛圍
- ★ 國際標準燈頭E27, 安裝便捷, 拆裝方便
- ★ 高品質PC材質面罩, 透光均勻, PP材質燈身, 快速散熱壽命長
- ★ 產品四檔模式可調: 火焰+呼吸+常亮+倒立
- ★ 適用於: 酒吧、酒店、夜總會、戶外花園、居家等場所氛圍裝飾

- ★ LED simulation light effect and 360 degree dynamic light effect simulate the flickering flame of natural fire to improve the scene atmosphere
- ★ The international standard lamp cap E27 is convenient for installation and disassembly
- ★ High quality PC mask, uniform light transmission, PP lamp body, fast heat dissipation and long service life
- ★ The four gear mode of the product is adjustable: flame + breathing + constant light + handstand
Suitable for: bar, hotel, nightclub, outdoor garden, home and other places atmosphere decoration

Specification 產品規格

Model 型號	Voltage 電壓	Wattage 功率	Size 尺寸	Lamp Life 光度壽命	Flame Colour 火焰顏色	Lumen Output 輸出流明	Color Rendering 顯色度	Beam Angle 光速角度	Operating Temperature 工作溫度
	(V)	(W)	(mm)	(Hrs)		(lm)	(CRI)	(°)	(°C)
BL-SF03	220-240	3	Ø40*115	30,000	yellow	230	>80	180	-20~45

Light efficiency (lm/W), Power (W), Color Rendering Index (CRI), Can be customized according to customer needs.

Our Standard Power factor (PF) > 0.9 and Total harmonic index THD < 15%, According to customer requirements can produce a lower THD < 10%.

This type of certification is issued by a government-approved laboratory for Safety certification, Fire testing, Restriction of Hazardous Substances (RoHS), Photobiological safety of lamps and lamp systems. (an Exemption Group) and other test certifications to ensure product quality

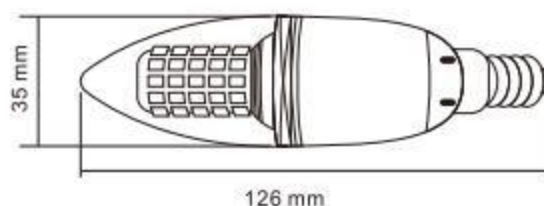
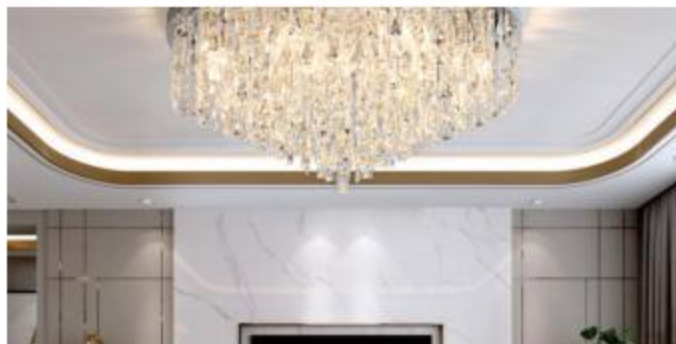
光效 (lm/W)、功率 (W)、顯色指數 (CRI), 可根據客戶需求定制。

此型號標準之功率因素 (PF) > 0.9, 總諧波指數 THD < 15%, 可按客戶需要生產低總諧波指數 < 10%。

此型號認證由可實驗室發出之安全認證消防測試, 環保物料 (RoHS), 光生物安全為 Exemption Group 及其它測試, 保證客戶使用更安心滿意。

LED Candle Bulb

Series Type: EBLCY13



Features 產品特點

- ★ 燈頭E14, 安裝便捷, 拆裝方便
- ★ 高品質PC材質面罩, 透光均勻
- ★ 高顯色, 色彩真實
- ★ 加厚鋁材高效散熱

- ★ Quasi lamp cap E14, convenient installation and disassembly
- ★ High quality PC mask with uniform light transmission
- ★ High color rendering, real color
- ★ High efficiency heat dissipation of thickened aluminum

Specification 產品規格

Model 型號	Voltage 電壓 (V)	Wattage 功率 (W)	Size 尺寸 (mm)	Lamp Life 光度壽命 (Hrs)	Colour Temp 色溫 (K)	Lumen Output 輸出流明 (Lm)	Color Rendering 顯色度 (CRI)	Beam Angle 光束角度 (°)	Operating Temperature 工作溫度 (°C)
BL-CB12-B88A3	220-240	12	Ø35*126	30,000	3000	80	>80	180	-20~45
BL-CB12-B88A6	220-240	12	Ø35*126	30,000	6000	80	>80	180	-20~45

Light efficiency (lm/W), Power (W), Color Rendering Index (CRI), Can be customized according to customer needs.

Our Standard Power factor (PF) > 0.9 and Total harmonic index THD < 15%, According to customer requirements can produce a lower THD < 10%.

This type of certification is issued by a government-approved laboratory for Safety certification, Fire testing, Restriction of Hazardous Substances (RoHS), Photobiological safety of lamps and lamp systems. (an Exemption Group) and other test certifications to ensure product quality

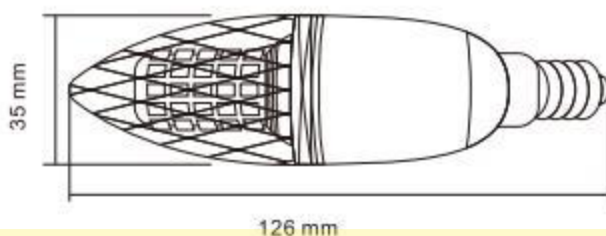
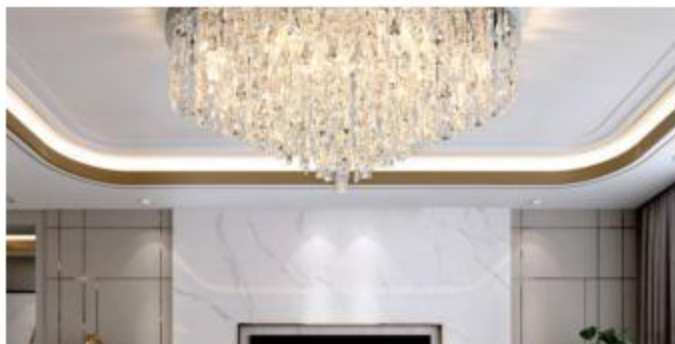
光效 (lm/W)、功率 (W)、顯色指數 (CRI), 可根據客戶需求定制。

此型號標準之功率因素 (PF) > 0.9, 總諧波指數 THD < 15%, 可按客戶需要生產低總諧波指數 < 10%。

此型號認證由可實驗室發出之安全認證消防測試, 環保物料 (RoHS), 光生物安全豁免 Exemption Group 及其它測試, 保證客戶使用更安心滿意。

LED Candle Bulb

Series Type: EBLDY13



Features 產品特點

- ★ 燈頭E14, 安裝便捷, 拆裝方便
- ★ 高品質PC材質面罩, 透光均勻
- ★ 高顯色, 色彩真實
- ★ 加厚鋁材高效散熱

- ★ Quasi lamp cap E14, convenient installation and disassembly
- ★ High quality PC mask with uniform light transmission
- ★ High color rendering, real color
- ★ High efficiency heat dissipation of thickened aluminum

Specification 產品規格

Model 型號	Voltage 電壓 (V)	Wattage 功率 (W)	Size 尺寸 (mm)	Lamp Life 光度壽命 (Hrs)	Colour Temp 色溫 (K)	Lumen Output 輸出流明 (Lm)	Color Rendering 顯色度 (CRI)	Beam Angle 光線角度 (°)	Operating Temperature 工作溫度 (°C)
BL-CB12-N88A3	220-240	12	Ø35*126	30,000	3000	80	>80	180	-20~45
BL-CB12-N88A6	220-240	12	Ø35*126	30,000	6000	80	>80	180	-20~45

Light efficiency (lm/W), Power (W), Color Rendering Index (CRI), Can be customized according to customer needs.

Our Standard Power factor (PF) > 0.9 and Total harmonic index THD < 15%, According to customer requirements can produce a lower THD < 10%.

This type of certification is issued by a government-approved laboratory for Safety certification, Fire testing, Restriction of Hazardous Substances (RoHS), Photobiological safety of lamps and lamp systems, (an Exemption Group) and other test certifications to ensure product quality

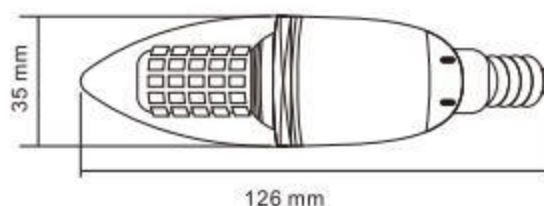
光效 (lm/W)、功率 (W)、顯色指數 (CRI), 可根據客戶需求定制。

此型號標準之功率因素 (PF) > 0.9, 總諧波指數 THD < 15%, 可按客戶需要生產低總諧波指數 < 10%。

此型號認證由可實驗室發出之安全認證消防測試, 環保物料 (RoHS), 光生物安全為 Exemption Group 及其它測試, 保證客戶使用更安心滿意。

LED Candle Bulb

Series Type: EBLCJ13



Features 產品特點

- ★ 燈頭E14, 安裝便捷, 拆裝方便
- ★ 高品質PC材質面罩, 透光均勻
- ★ 高顯色, 色彩真實
- ★ 加厚鋁材高效散熱

- ★ Quasi lamp cap E14, convenient installation and disassembly
- ★ High quality PC mask with uniform light transmission
- ★ High color rendering, real color
- ★ High efficiency heat dissipation of thickened aluminum

Specification 產品規格

Model 型號	Voltage 電壓 (V)	Wattage 功率 (W)	Size 尺寸 (mm)	Lamp Life 光度壽命 (Hrs)	Colour Temp 色溫 (K)	Lumen Output 輸出流明 (Lm)	Color Rendering 顯色度 (CRI)	Beam Angle 光束角度 (°)	Operating Temperature 工作溫度 (°C)
BL-CB12-N88A3	220-240	12	Ø35*126	30,000	3000	80	>80	180	-20~45
BL-CB12-N88A6	220-240	12	Ø35*126	30,000	6000	80	>80	180	-20~45

Light efficiency (lm/W), Power (W), Color Rendering Index (CRI), Can be customized according to customer needs.

Our Standard Power factor (PF) > 0.9 and Total harmonic index THD < 15%, According to customer requirements can produce a lower THD < 10%.

This type of certification is issued by a government-approved laboratory for Safety certification, Fire testing, Restriction of Hazardous Substances (RoHS), Photobiological safety of lamps and lamp systems. (an Exemption Group) and other test certifications to ensure product quality

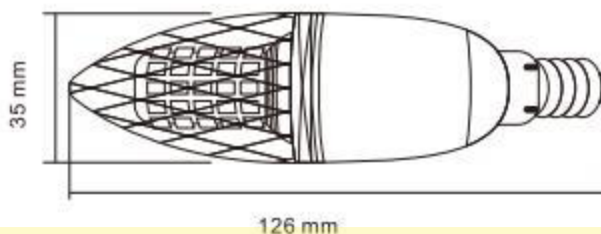
光效 (lm/W)、功率 (W)、顯色指數 (CRI), 可根據客戶需求定制。

此型號標準之功率因素 (PF) > 0.9, 總諧波指數 THD < 15%, 可按客戶需要生產低總諧波指數 < 10%。

此型號認證由可實驗室發出之安全認證消防測試, 環保物料 (RoHS), 光生物安全豁免 Exemption Group 及其它測試, 保證客戶使用更安心滿意。

LED Candle Bulb

Series Type: EBLDJ13



Features 產品特點

- ★ 燈頭E14, 安裝便捷, 拆裝方便
- ★ 高品質PC材質面罩, 透光均勻
- ★ 高顯色, 色彩真實
- ★ 加厚鋁材高效散熱

- ★ Quasi lamp cap E14, convenient installation and disassembly
- ★ High quality PC mask with uniform light transmission
- ★ High color rendering, real color
- ★ High efficiency heat dissipation of thickened aluminum

Specification 產品規格

Model 型號	Voltage 電壓 (V)	Wattage 功率 (W)	Size 尺寸 (mm)	Lamp Life 光度壽命 (Hrs)	Colour Temp 色溫 (K)	Lumen Output 輸出流明 (Lm)	Color Rendering 顯色度 (CRI)	Beam Angle 光束角度 (°)	Operating Temperature 工作溫度 (°C)
BL-CB12-C88A3	220-240	12	Ø35*126	30,000	3000	80	>80	180	-20~45
BL-CB12-C88A6	220-240	12	Ø35*126	30,000	6000	80	>80	180	-20~45

Light efficiency (lm/W), Power (W), Color Rendering Index (CRI), Can be customized according to customer needs.

Our Standard Power factor (PF) > 0.9 and Total harmonic index THD < 15%, According to customer requirements can produce a lower THD < 10%.

This type of certification is issued by a government-approved laboratory for Safety certification, Fire testing, Restriction of Hazardous Substances (RoHS), Photobiological safety of lamps and lamp systems, (an Exemption Group) and other test certifications to ensure product quality

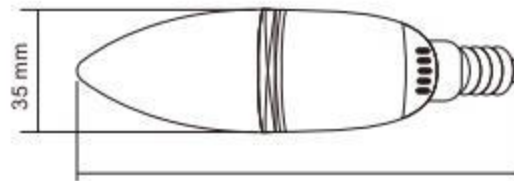
光效 (lm/W)、功率 (W)、顯色指數 (CRI), 可根據客戶需求定制。

此型號標準之功率因素 (PF) > 0.9, 總諧波指數 THD < 15%, 可按客戶需要生產低總諧波指數 < 10%。

此型號認證由可實驗室發出之安全認證消防測試, 環保物料 (RoHS), 光生物安全為 Exemption Group 及其它測試, 保證客戶使用更安心滿意。

LED Candle Bulb

Series Type: EBLCW13



Features 產品特點

- ★ 燈頭E14, 安裝便捷, 拆裝方便
- ★ 高品質PC材質面罩, 透光均勻
- ★ 高顯色, 色彩真實
- ★ 加厚鋁材高效散熱

- ★ Quasi lamp cap E14, convenient installation and disassembly
- ★ High quality PC mask with uniform light transmission
- ★ High color rendering, real color
- ★ High efficiency heat dissipation of thickened aluminum

Specification 產品規格

Model 型號	Voltage 電壓 (V)	Wattage 功率 (W)	Size 尺寸 (mm)	Lamp Life 光度壽命 (Hrs)	Colour Temp 色溫 (K)	Lumen Output 輸出流明 (Lm)	Color Rendering 顯色度 (CRI)	Beam Angle 光束角度 (°)	Operating Temperature 工作溫度 (°C)
BL-CB12-D88A3	220-240	12	Ø35*126	30,000	3000	70	>80	180	-20~45
BL-CB12-D88A6	220-240	12	Ø35*126	30,000	6000	70	>80	180	-20~45

Light efficiency (lm/W), Power (W), Color Rendering Index (CRI), Can be customized according to customer needs.

Our Standard Power factor (PF) > 0.9 and Total harmonic index THD < 15%, According to customer requirements can produce a lower THD < 10%.

This type of certification is issued by a government-approved laboratory for Safety certification, Fire testing, Restriction of Hazardous Substances (RoHS), Photobiological safety of lamps and lamp systems. (an Exemption Group) and other test certifications to ensure product quality

光效 (lm/W)、功率 (W)、顯色指數 (CRI), 可根據客戶需求定制。

此型號標準之功率因素 (PF) > 0.9, 總諧波指數 THD < 15%, 可按客戶需要生產低總諧波指數 < 10%。

此型號認證由可實驗室發出之安全認證消防測試, 環保物料 (RoHS), 光生物安全豁免 Exemption Group 及其它測試, 保證客戶使用更安心滿意。

東 權 LED 照 明 公 司
EASTLIKE LED Co., Ltd

Office Address: Room B3, 18/F Bonsun Industrial Building,
384-386 Sha Tsui Road, Tsuen Wan, HongKong

Phone: 852-3107 7500

Fax: 852-3544 0462

Whatsapp: 852-5977 2627

Email: info@eastlike.com