

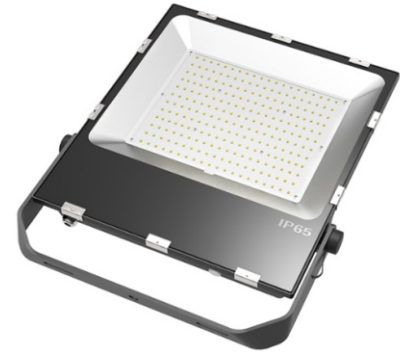
LED Flood Light

Model :FL-A80/FL-A300

Features:

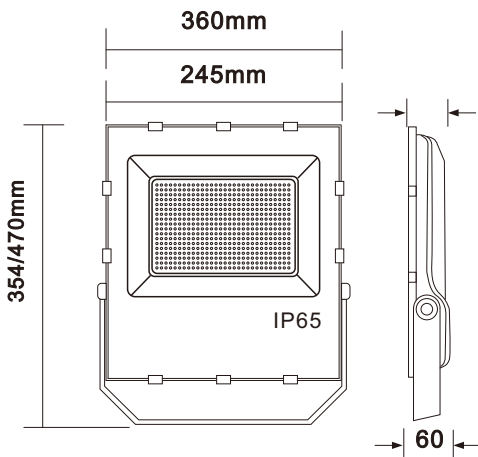
1. Professional light distribution and reflector light distribution to meet the lighting requirements of high altitude and floodlight places
2. International famous brand LED light source, low light decay, long life
3. Thickened steel bracket, safe and stable, adjustable angle
4. Application: Construction site, port terminal, railway, airport, advertising projection, outdoor square, large indoor stadiums and outdoor courts

iLIGHTING
Green • Professional



Model :FL-A80/FL-A300

Standard



Standard Size(mm)	245*354*60mm 360*470*60mm
Voltage (V)	AC110~277V
Beam Angle	120°
LEDs brand	Philips SMD 3030
CRI	>80Ra
Power (W)	80W/300W
Luminous Efficacy	120 lm/w
Luminous Flux(lm)	9600lm/36000lm
Power Factor	> 0.9
Cover Material	Aluminum ,Glass
Color Temperature	4000K/6000K
Life Time	50,000(H)
IP Grade	IP 65

Lighting Source