

LED Down Light

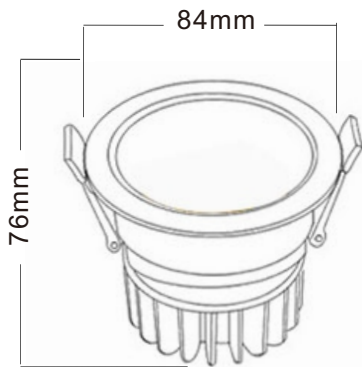
Model : DL-0412

Features:

- Designed for commercial usage
- High light efficacy
- Low heat generation
- Uniform light emission
- Remote 0-10V dimmable LED driver



Model :DL-0412



Standard

| | |
|-----------------|----------------------|
| Standard Size | Ø84*H76mm |
| Hole Dia | Ø75mm |
| Power Factor | > 0.9 |
| Power (W) | 11W |
| Lumen efficacy | 100lm/w |
| Lumen(lm) | 1100lm |
| AC input | AC100-240V |
| CRI | >80 |
| Beam angle | 24 degree |
| Color Temp | 3000K/4000K/6000K |
| Body Frame | AL 6063 |
| Life Span (Hrs) | 50,000 Hrs |
| Driver | 0-10V Dimming driver |
| Rating | IP20 |