



EASTLIKE LED Co., Ltd

CATALOG

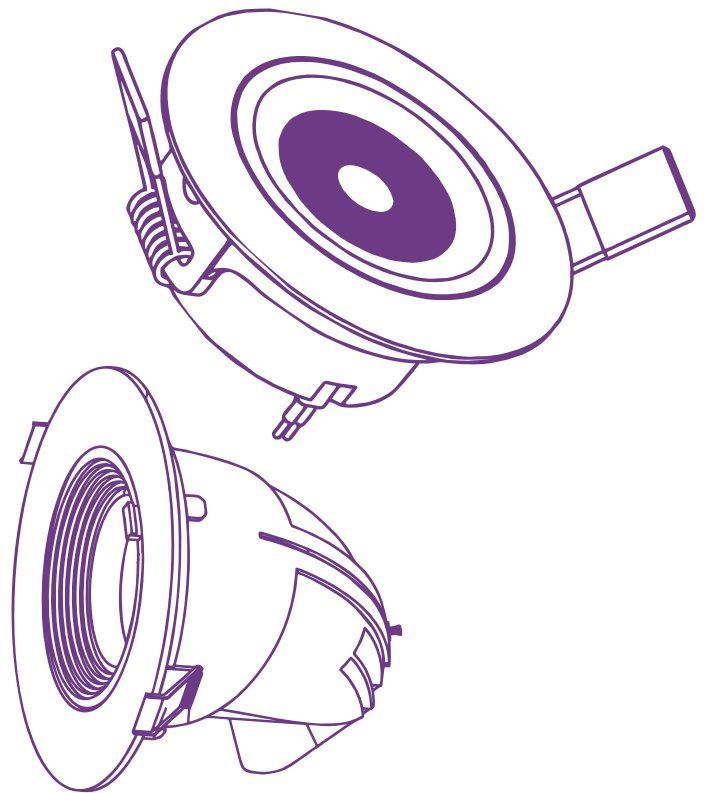
LED Lighting Series

Green

Low Carbon

Energy Saving

4. Spot Light



www.eastlike.com



公司簡介 Company Profile

LED Lighting

EAST

LED Lighting®
EAST



製造和營銷綠色低碳節能照明產品

Manufacturing And Marketing Green Low Carbon
And Energy Saving Lighting Products

EASTLIKE LED COMPANY 東 欖 照 明 公 司

EASTLIKE LED Co., Ltd • emerges as a lighting designer manufacturer and supplier established in Hong Kong and Mainland China .

The company devotes herself in the development, manufacturing and marketing of green, low-carbon and energy-saving lighting products. we are proud to provide a wide range of LED products

東欖LED照明公司•您的照明設計師。

我們作為製造商和供應服務於香港和中國大陸。公司致力於開發，製造和行銷綠色，低碳和節能照明產品。

我們竭誠為您服務，為您提供種類繁多的LED產品。

目录

Content



P.01

LED COB 3.5英寸射燈



P.02

LED聚光微型小射燈



P.03

LED COB 3.5英寸象鼻燈



P.04

嵌入式3.5英寸LED射燈



P.05

嵌入式4.5英寸LED射燈

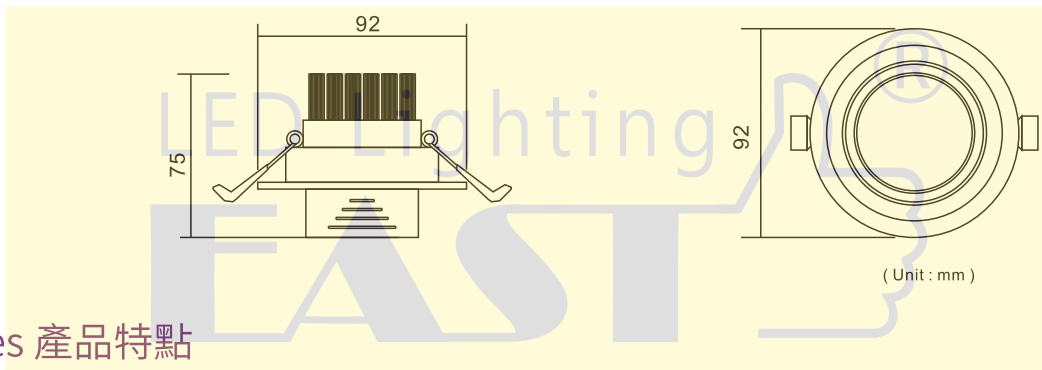


P.06

嵌入式3.5英寸LED射燈

LED cob 3.5-Inch Surface Diameter Spotlight

Series Type: EMRBC35



Features 產品特點

- ★ Free focusing of 15-60 ° beam
- ★ Highlight cob chip
- ★ Aluminum hollow design, fast heat dissipation
- ★ Embedded installation, installation aperture: 3 inches
- ★ It can be customized according to the requirements
- ★ 防眩, 光效柔和不刺眼
- ★ Ra>90還原真實色彩
- ★ 透光率高, 低光耗, 高亮度
- ★ 嵌入式安裝, 安裝孔徑: 1.5英寸
- ★ 可按照要求定制

Specification 產品規格

Model 型號	Voltage 電壓	Power 功率	Lumen Output 輸出流明	Color Rendering 顯色度	Colour Temp 色溫	Life Time 壽命	Beam Angle 光束角	Working temperature 工作溫度	Size 尺寸
	(V)	(W)	(Lm/W)	(CRI)	(K)	(H)	(°)	(°C)	(mm)
STL-0305-F	AC100-240	5	80	>80	3000	30,000	90	-20~45	92*75

Light efficiency (lm/W), Power (W), Color Rendering Index (CRI), Can be customized according to customer needs.

Our Standard Power factor (PF) > 0.9 and Total harmonic index THD < 15%, According to customer requirements can produce a lower THD < 10%.

This type of certification is issued by a government-approved laboratory for Safety certification, Fire testing, Restriction of Hazardous Substances (RoHS), Photobiological safety of lamps and lamp systems. (an Exemption Group) and other test certifications to ensure product quality

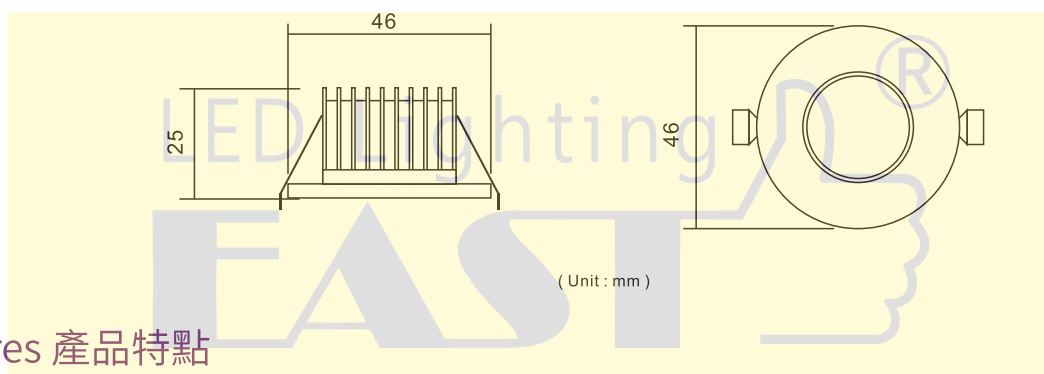
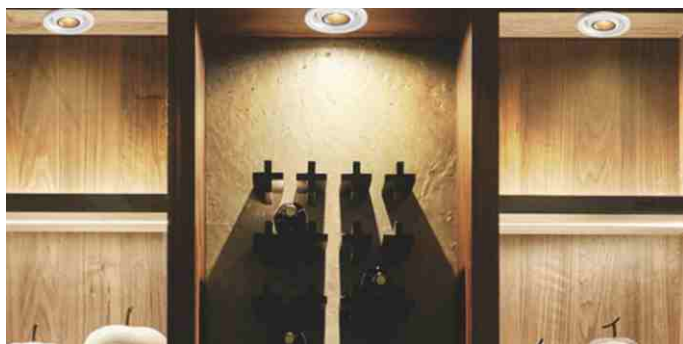
光效 (lm/W)、功率 (W)、顯色指數 (CRI), 可根據客戶需求定制。

此型號標準之功率因素 (PF) > 0.9, 總諧波指數 THD < 15%, 可按客戶需要生產低總諧波指數 < 10%。

此型號認證由可實驗室發出之安全認證消防測試, 環保物料 (RoHS), 光生物安全為 Exemption Group 及其它測試, 保證客戶使用更安心滿意。

LED Spotlight Miniature Spotlight

Series Type: EMRMC20



Features 產品特點

- ★ Anti dazzle, soft light effect, no glare
- ★ RA > 90 restore true color
- ★ High transmittance, low light consumption, high brightness
- ★ Embedded installation, installation aperture: 1.5 inches
- ★ It can be customized according to the requirements

- ★ 防眩, 光效柔和和不刺眼
- ★ Ra > 90 還原真實色彩
- ★ 透光率高, 低光耗, 高亮度
- ★ 嵌入式安裝, 安裝孔徑: 1.5英寸
- ★ 可按照要求定制

Specification 產品規格

Model 型號	Voltage 電壓 (V)	Power 功率 (W)	Lumen Output 輸出流明 (Lm/W)	Color Rendering 顯色度 (CRI)	Colour Temp 色溫 (K)	Life Time 壽命 (H)	Beam Angle 光束角 (°)	Working temperature 工作溫度 (°C)	Size 尺寸 (mm)
STL-0203-S98E6	AC100-240	3	90	>90	6000	50,000	90	-20~45	46*25
STL-0203-S98E4	AC100-240	3	90	>90	4000	50,000	90	-20~45	46*25
STL-0203-S98E3	AC100-240	3	90	>90	3000	30,000	90	-20~45	46*25

Light efficiency (lm/W), Power (W), Color Rendering Index (CRI), Can be customized according to customer needs.

Our Standard Power factor (PF) > 0.9 and Total harmonic index THD < 15%, According to customer requirements can produce a lower THD < 10%.

This type of certification is issued by a government-approved laboratory for Safety certification, Fire testing, Restriction of Hazardous Substances (RoHS), Photobiological safety of lamps and lamp systems. (an Exemption Group) and other test certifications to ensure product quality

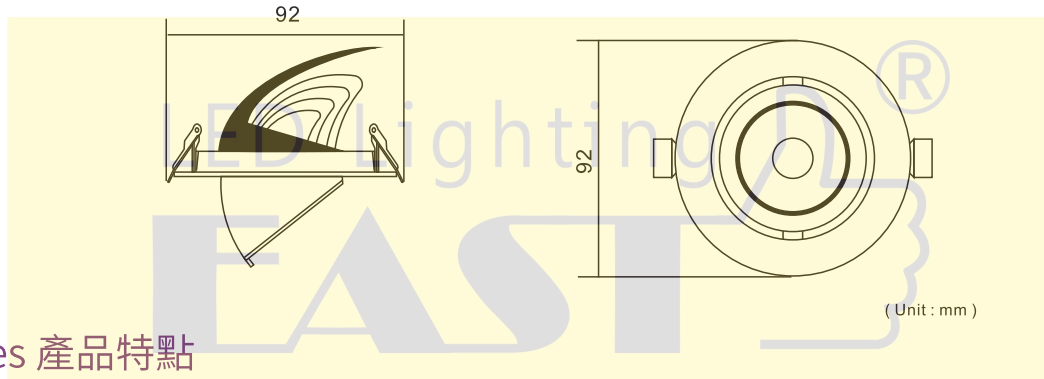
光效 (lm/W)、功率 (W)、顯色指數 (CRI), 可根據客戶需求定制。

此型號標準之功率因素 (PF) > 0.9, 總諧波指數 THD < 15%, 可按客戶需要生產低總諧波指數 < 10%。

此型號認證由可實驗室發出之安全認證消防測試, 環保物料 (RoHS), 光生物安全為 Exemption Group 及其它測試, 保證客戶使用更安心滿意。

Led Cob 3.5 Lnch Surface Diameter Elephant Trunk Lamp

Series Type: EMRBE35



Features 產品特點

- ★ the lamp cap can be rotated 360 ° and the lamp body can be adjusted up and down
 - ★ High concentration optical reflector
 - ★ Embedded installation, installation aperture: 3 inches
 - ★ Independent constant current power supply
 - ★ It can be customized according to the requirements
- ★ 燈頭360°旋轉調節，燈身可上下調節
 - ★ 光學反光杯高聚光
 - ★ 嵌入式安裝，安裝孔徑：3英寸
 - ★ 獨立恆流電源
 - ★ 可按照要求定制

Specification 產品規格

Model 型號	Voltage 電壓	Power 功率	Lumen Output 輸出流明	Color Rendering 顯色度	Colour Temp 色溫	Life Time 壽命	Beam Angle 光束角	Working temperature 工作溫度	Size 尺寸
	(V)	(W)	(Lm/W)	(CRI)	(K)	(H)	(°)	(°C)	(mm)
STL-0305-T	AC100-240	5	80	>80	3000	30,000	90	-20~45	92*75

Light efficiency (lm/W), Power (W), Color Rendering Index (CRI), Can be customized according to customer needs.

Our Standard Power factor (PF) > 0.9 and Total harmonic index THD < 15%, According to customer requirements can produce a lower THD < 10%.

This type of certification is issued by a government-approved laboratory for Safety certification, Fire testing, Restriction of Hazardous Substances (RoHS), Photobiological safety of lamps and lamp systems. (an Exemption Group) and other test certifications to ensure product quality

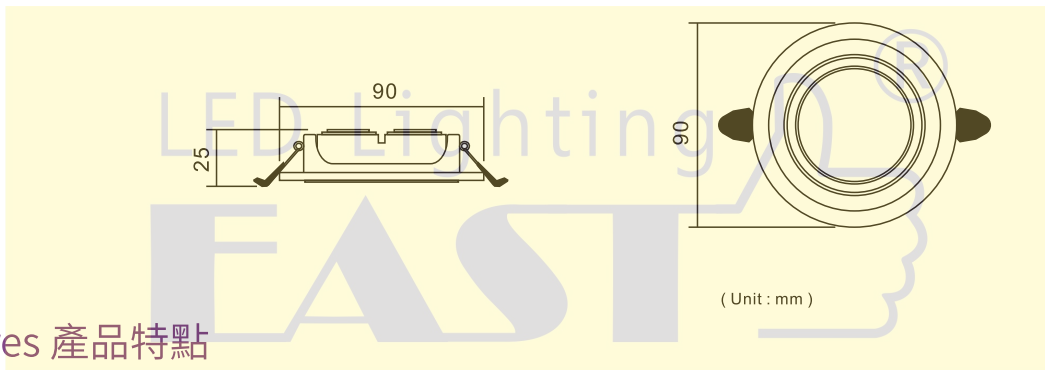
光效 (lm/W)、功率 (W)、顯色指數 (CRI)，可根據客戶需求定制。

此型號標準之功率因素 (PF) > 0.9，總諧波指數 THD < 15%，可按客戶需要生產低總諧波指數 < 10%。

此型號認證由可實驗室發出之安全認證消防測試，環保物料 (RoHS)，光生物安全為 Exemption Group 及其它測試，保證客戶使用更安心滿意。

Embedded 3.5-Inch Surface Diameter Led Spotlight

Series Type: EMREL35



Features 產品特點

- ★ High efficiency heat dissipation of thickened aluminum
- ★ Angle adjustable
- ★ High color rendering and true color
- ★ Installation aperture: 3inches

- ★ 加厚鋁材 高效散熱
- ★ 角度可調
- ★ 高顯色 色彩真實
- ★ 嵌入式安裝,安裝孔徑:3英寸

Specification 產品規格

Model 型號	Voltage 電壓	Power 功率	Lumen Output 輸出流明	Color Rendering 顯色度	Colour Temp 色溫	Life Time 壽命	Beam Angle 光束角	Working temperature 工作溫度	Size 尺寸
	(V)	(W)	(Lm/W)	(CRI)	(K)	(H)	(°)	(°C)	(mm)
STL-0305-I	AC100-240	5	90	>80	4000	30,000	90	-20~70	90*25

Light efficiency (lm/W), Power (W), Color Rendering Index (CRI), Can be customized according to customer needs.

Our Standard Power factor (PF) > 0.9 and Total harmonic index THD < 15%, According to customer requirements can produce a lower THD < 10%.

This type of certification is issued by a government-approved laboratory for Safety certification, Fire testing, Restriction of Hazardous Substances (RoHS), Photobiological safety of lamps and lamp systems. (an Exemption Group) and other test certifications to ensure product quality

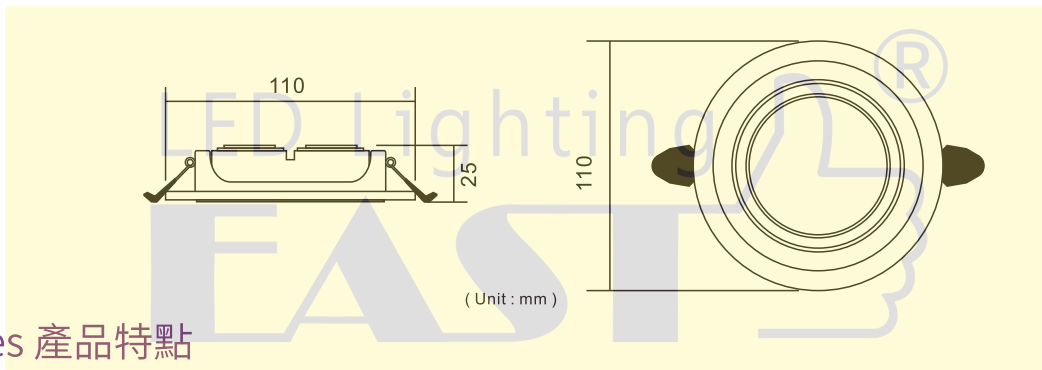
光效 (lm/W)、功率 (W)、顯色指數 (CRI), 可根據客戶需求定制。

此型號標準之功率因素 (PF) > 0.9, 總諧波指數 THD < 15%, 可按客戶需要生產低總諧波指數 < 10%。

此型號認證由可實驗室發出之安全認證消防測試, 環保物料 (RoHS), 光生物安全為 Exemption Group 及其它測試, 保證客戶使用更安心滿意。

Embedded 4.5-Inch Surface Diameter Led Spotlight

Series Type: EMREL45



Features 產品特點

- ★ Oxidation heat dissipation aluminum material is corrosion-resistant and durable
- ★ The light is soft and does not hurt the eyes
- ★ Metal shell waterproof power supply and efficient heat dissipation
- ★ Ceiling installation (equipped with hardware hook and triangle)
- ★ 防眩, 光效柔和不刺眼
- ★ Ra>90還原真實色彩
- ★ 透光率高, 低光耗, 高亮度
- ★ 嵌入式安裝, 安裝孔徑: 1.5英寸
- ★ 可按照要求定制

Specification 產品規格

Model 型號	Voltage 電壓	Power 功率	Lumen Output 輸出流明	Color Rendering 顯色度	Colour Temp 色溫	Life Time 壽命	Beam Angle 光束角	Working temperature 工作溫度	Size 尺寸
	(V)	(W)	(Lm/W)	(CRI)	(K)	(H)	(°)	(°C)	(mm)
STL-0410-I	100-240	10	100	>80	4000	30,000	90	-20~70	110*25

Light efficiency (lm/W), Power (W), Color Rendering Index (CRI), Can be customized according to customer needs.

Our Standard Power factor (PF) > 0.9 and Total harmonic index THD < 15%, According to customer requirements can produce a lower THD < 10%.

This type of certification is issued by a government-approved laboratory for Safety certification, Fire testing, Restriction of Hazardous Substances (RoHS), Photobiological safety of lamps and lamp systems. (an Exemption Group) and other test certifications to ensure product quality

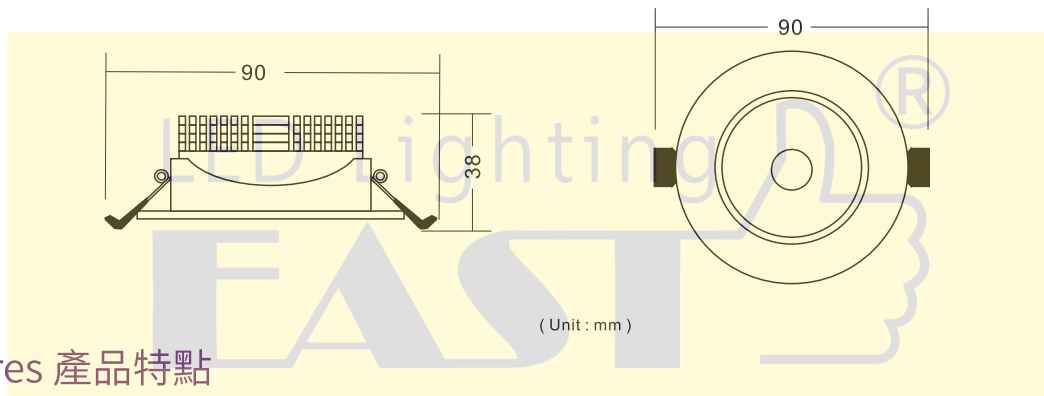
光效 (lm/W)、功率 (W)、顯色指數 (CRI), 可根據客戶需求定制。

此型號標準之功率因素 (PF) > 0.9, 總諧波指數 THD < 15%, 可按客戶需要生產低總諧波指數 < 10%。

此型號認證由可實驗室發出之安全認證消防測試, 環保物料 (RoHS), 光生物安全為 Exemption Group 及其它測試, 保證客戶使用更安心滿意。

Embedded 3.5-Inch Surface Diameter Led Spotlight

Series Type: EMREH35



Features 產品特點

- ★ High efficiency heat dissipation of thickened aluminum
- ★ Angle adjustable
- ★ High color rendering and true color
- ★ Installation aperture: 3 inches

- ★ 加厚鋁材 高效散熱
- ★ 角度可調
- ★ 高顯色 色彩真實
- ★ 嵌入式安裝, 安裝孔徑: 3英寸

Specification 產品規格

Model 型號	Voltage 電壓	Power 功率	Lumen Output 輸出流明	Color Rendering 顯色度	Colour Temp 色溫	Life Time 壽命	Beam Angle 光束角	Working temperature 工作溫度	Size 尺寸
	(V)	(W)	(Lm/W)	(CRI)	(K)	(H)	(°)	(°C)	(mm)
STL-0305-H78E3	100-240	5	70	>80	3000	30,000	90	-20~70	90*38
STL-0305-H78E4	100-240	5	70	>80	4000	30,000	90	-20~70	90*38

Light efficiency (lm/W), Power (W), Color Rendering Index (CRI), Can be customized according to customer needs.

Our Standard Power factor (PF) > 0.9 and Total harmonic index THD < 15%, According to customer requirements can produce a lower THD < 10%.

This type of certification is issued by a government-approved laboratory for Safety certification, Fire testing, Restriction of Hazardous Substances (RoHS), Photobiological safety of lamps and lamp systems. (an Exemption Group) and other test certifications to ensure product quality

光效 (lm/W)、功率 (W)、顯色指數 (CRI), 可根據客戶需求定制。

此型號標準之功率因素 (PF) > 0.9, 總諧波指數 THD < 15%, 可按客戶需要生產低總諧波指數 < 10%。

此型號認證由可實驗室發出之安全認證消防測試, 環保物料 (RoHS), 光生物安全為 Exemption Group 及其它測試, 保證客戶使用更安心滿意。



東 權 LED 照 明 公 司
EASTLIKE LED Co., Ltd

Office Address: Room B3, 18/F Bonsun Industrial Building,
364-366 Sha Tsui Road, Tsuen Wan, HongKong

Phone: 852-3974 5593

Fax: 852-3544 0462

Whatsapp: +852-6756 770

Email: info@eastlike.com