

# LED High Bay Light

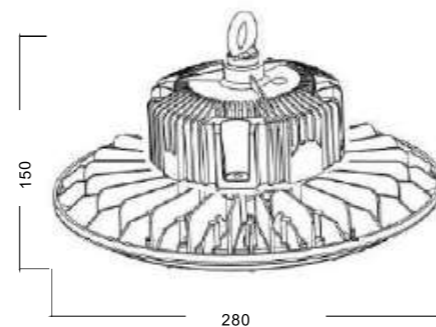
Series Type: HB-A100-H-UFO

## Features 產品特點 >>

- Material: aluminum, Clear tempered Glass
- Special heat dissipation structure design
- Using high performance Philips SMD LED(140lm/W)
- Lightweight and easy to install
- Suitable for indoor and outdoor lighting applications
- Certificate: CE RoHS



- 外殼材料: 鋁, 透明鋼化玻璃
- 特殊的散熱結構設計
- 採用高性能飛利浦 SMD LED (140lm / W)
- 質量輕, 方便安裝
- 適用於室內和室外照明應用
- 證書: CE RoHS



Unit: mm

## Specification 產品規格 >>

Model 型號	Voltage 電壓	Power 功率	Lumen 流明	Power factor 功率因數	Colour Temp 色溫	Life Time 壽命	Beam Angle 光束角	Working temperature 工作溫度	IP rating IP等級	Size 尺寸
	(V)	(W)	(lm)	(PF)	(K)	(H)	(°)	(°C)		(mm)
HB-A100-H148F-UFO	85~265	100	14000	>0.9	6000	50,000	120	-20~45	65	280*150

- LED, power (W), driver can be customized according to customer needs
- Our Standard Color Rendering (CRI) > 70 and Total harmonic index THD < 15%, According to customer requirements can produce a lower THD < 10%
- This type of certification is issued by a government-approved laboratory for Safety certification, Fire testing, Restriction of Hazardous Substances(RoHS), Photobiological safety of lamps and lamp systems.( an Exemption Group) and other test certifications to ensure product quality

- LED、功率(W)、驅動可根據客戶需求定制
- 此型號標準之顯色指數(CRI)>70, 總諧波指數THD<15%, 可按客戶需要生產低總諧波指數<10%
- 此型號認證由可實驗室發出之安全認證消防測試, 環保物料 (RoHS), 光生物安全為Exemption Group及其它測試, 保證客戶使用更安心滿意

# LED High Bay Light

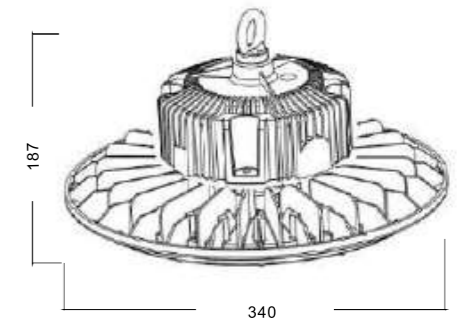
Series Type: HB-A150-H-UFO

## Features 產品特點 >>

- Material: aluminum, Clear tempered Glass
- Special heat dissipation structure design
- Using high performance Philips SMD LED(140lm/W)
- Lightweight and easy to install
- Suitable for indoor and outdoor lighting applications
- Certificate: CE RoHS



- 外殼材料: 鋁, 透明鋼化玻璃
- 特殊的散熱結構設計
- 採用高性能飛利浦 SMD LED (140lm / W)
- 質量輕, 方便安裝
- 適用於室內和室外照明應用
- 證書: CE RoHS



Unit: mm

## Specification 產品規格 >>

Model 型號	Voltage 電壓	Power 功率	Lumen 流明	Power factor 功率因數	Colour Temp 色溫	Life Time 壽命	Beam Angle 光束角	Working temperature 工作溫度	IP rating IP等級	Size 尺寸
	(V)	(W)	(lm)	(PF)	(K)	(H)	(°)	(°C)		(mm)
HB-A150-H148F-UFO	85~265	150	21000	>0.9	6000	50,000	120	-20~45	65	340*187

- LED, power (W), driver can be customized according to customer needs
- Our Standard Color Rendering (CRI) > 70 and Total harmonic index THD < 15%, According to customer requirements can produce a lower THD < 10%
- This type of certification is issued by a government-approved laboratory for Safety certification, Fire testing, Restriction of Hazardous Substances(RoHS), Photobiological safety of lamps and lamp systems.( an Exemption Group) and other test certifications to ensure product quality

- LED、功率(W)、驅動可根據客戶需求定制
- 此型號標準之顯色指數(CRI)>70, 總諧波指數THD<15%, 可按客戶需要生產低總諧波指數<10%
- 此型號認證由可實驗室發出之安全認證消防測試, 環保物料 (RoHS), 光生物安全為Exemption Group及其它測試, 保證客戶使用更安心滿意