



EASTLIKE LED Co., Ltd

# CATALOG

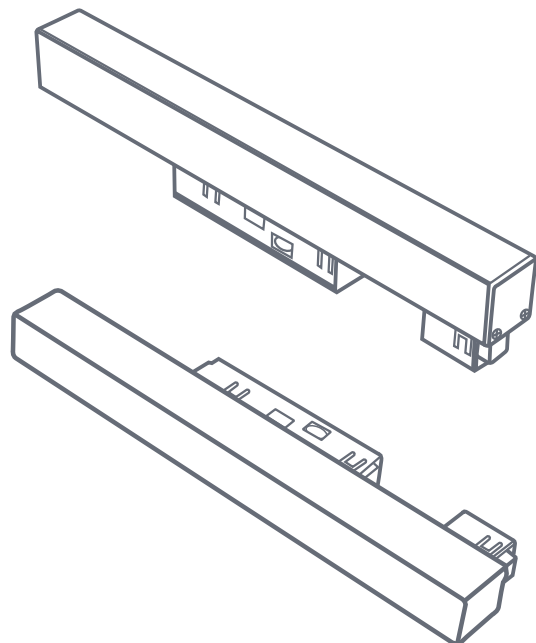
## LED Lighting Series

Green

Low Carbon

Energy Saving

## 5. LED Driver



[www.eastlike.com](http://www.eastlike.com)



# 公司簡介 Company Profile

LED Lighting

EAST



製造和營銷綠色低碳節能照明產品  
Manufacturing And Marketing Green Low Carbon  
And Energy Saving Lighting Products

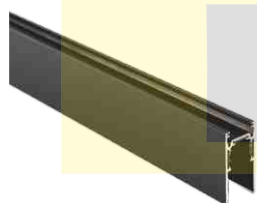
## EASTLIKE LED COMPANY 東 欏 照 明 公 司

EASTLIKE LED Co., Ltd • emerges as a lighting designer, manufacturer and supplier established in Hong Kong and Mainland China .  
The company devotes herself in the development, manufacturing and marketing of green, low-carbon and energy-saving lighting products. we are proud to provide a wide range of LED products

東欏LED照明公司•您的照明設計師。  
我們作為製造商和供應服務於香港和中國大陸。公司致力於開發，製造和行銷綠色，  
低碳和節能照明產品。  
我們竭誠為您服務，為您提供種類繁多的LED產品。

# 目录

# Content



P.01

明裝磁吸導軌條



P.02

軌道條電源

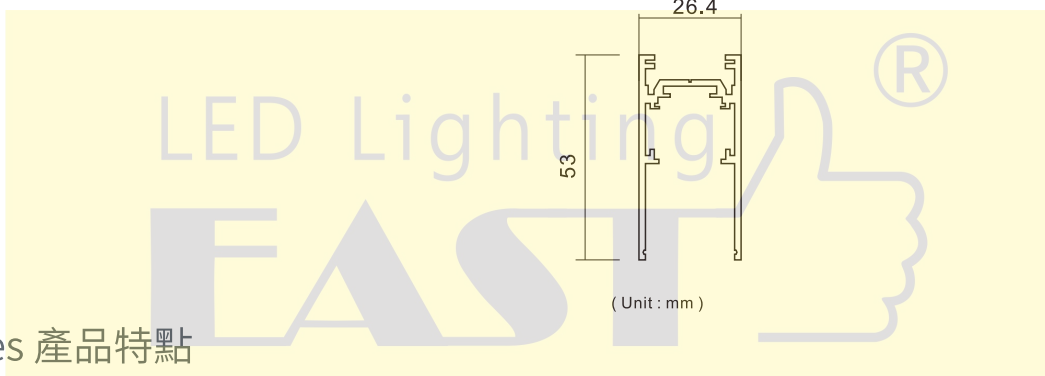


P.03

24V防水電源

# Surface Mounted Magnetic Rail

Series Type: EBITS1M



## Features 產品特點

- ★ Aviation grade aluminum profile is adopted, with high strength, corrosion resistance and fast heat conduction.
- ★ The flat conductive strip design is adopted to increase the conductive contact surface and make the performance more completely stable.

- ★ 採用航空級別鋁型材，強度高、耐腐蝕、導熱快。
- ★ 採用扁型導電條設計，增加導電的接觸面，性能更完全穩定。

## Specification 產品規格

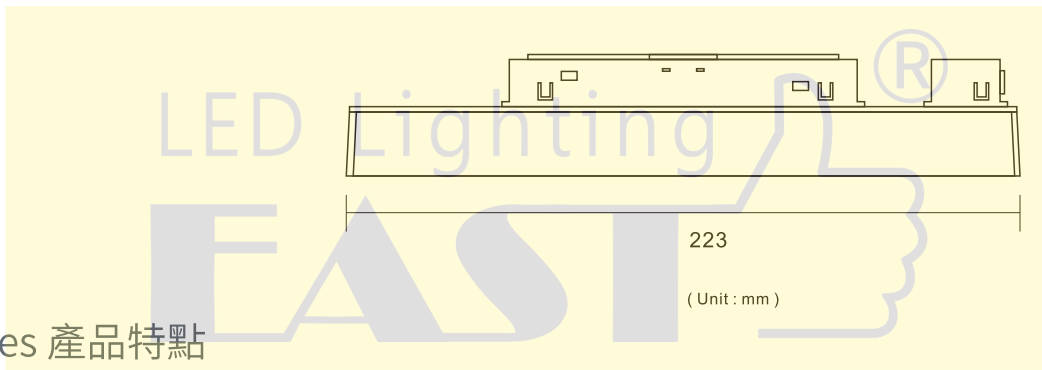
Model 型號	Size 尺寸 (mm)	Material 材料	Carton Size 外箱尺寸 (mm)
ELD-TL	53*26.4*1000	鋁	78*78*1050

Light efficiency (lm/W), Power (W), Color Rendering Index (CRI), Can be customized according to customer needs.  
 Our Standard Power factor (PF) > 0.9 and Total harmonic index THD < 15%, According to customer requirements can produce a lower THD < 10%.  
 This type of certification is issued by a government-approved laboratory for Safety certification, Fire testing, Restriction of Hazardous Substances (RoHS), Photobiological safety of lamps and lamp systems. (an Exemption Group) and other test certifications to ensure product quality

光效 (lm/W)、功率 (W)、顯色指數 (CRI)，可根據客戶需求定制。  
 此型號標準之功率因素 (PF) > 0.9，總諧波指數 THD < 15%，可按客戶需要生產低總諧波指數 < 10%。  
 此型號認證由可實驗室發出之安全認證消防測試，環保物料 (RoHS)，光生物安全為 Exemption Group 及其它測試，保證客戶使用更安心滿意。

# Track Strip Power Supply

Series Type: ELDME22



## Features 產品特點

- ★ It is more convenient to install and replace with strong magnetic adsorption.
- ★ The use position can be changed freely by sliding on the track strip, which is more human and intelligent.
- ★ With safety buckle, it makes the use more safe, reliable and firm.

- ★ 採用強磁吸附安裝與更換更加便捷。
- ★ 在道軌條上可以隨意滑動改變使用位置, 使用更加人性智能。
- ★ 帶安全卡扣, 讓使用得更加安全可靠牢固。

## Specification 產品規格

Model 型號	Size 尺寸 (mm)	Voltage Input 電壓輸出 (V)	Voltage Output 電壓輸入 (V)	Power 功率 (W)	Service life 壽命 (H)	Operating temperature 工作溫度 (°C)	Gross Weight 毛重 (g)
ELD-100W-TL	223*43.5*23	220	DC48	100	30,000	-20~70	320

Light efficiency (lm/W), Power (W), Color Rendering Index (CRI), Can be customized according to customer needs.

Our Standard Power factor (PF) > 0.9 and Total harmonic index THD < 15%, According to customer requirements can produce a lower THD < 10%.

This type of certification is issued by a government-approved laboratory for Safety certification, Fire testing, Restriction of Hazardous Substances (RoHS), Photobiological safety of lamps and lamp systems. (an Exemption Group) and other test certifications to ensure product quality

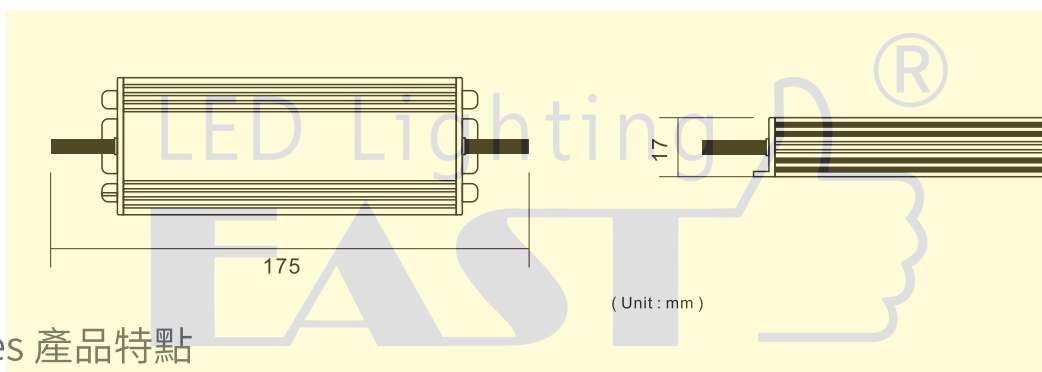
光效 (lm/W)、功率 (W)、顯色指數 (CRI), 可根據客戶需求定制。

此型號標準之功率因素 (PF) > 0.9, 總諧波指數 THD < 15%, 可按客戶需要生產低總諧波指數 < 10%。

此型號認證由可實驗室發出之安全認證消防測試, 環保物料 (RoHS), 光生物安全為 Exemption Group 及其它測試, 保證客戶使用更安心滿意。

## 24V Waterproof Power Supply

Series Type: ELDWD18



## Features 產品特點

- ★ Flame retardant and explosion-proof metal aluminum shell
- ★ Waterproof and moisture-proof, can be used outdoors

- ★ 金屬鋁外殼阻燃防爆
- ★ 防水防潮可戶外使用

## Specification 產品規格

Model 型號	Size 尺寸 (mm)	Voltage Input 電壓輸出 (V)	Voltage Output 電壓輸出 (V)	Maximum Load Current 最大負載電流 (A)	Maximum Load Power 最大負載功率 (W)	Operating temperature 工作溫度 (°C)	Waterproof Grade 防水等級 (IP)
ELD-60W	175*17*60	100-240V 50HZ	24	2.5	60	-20~90	67

Light efficiency (lm/W), Power (W), Color Rendering Index (CRI), Can be customized according to customer needs.

Our Standard Power factor (PF) > 0.9 and Total harmonic index THD < 15%, According to customer requirements can produce a lower THD < 10%.

This type of certification is issued by a government-approved laboratory for Safety certification, Fire testing, Restriction of Hazardous Substances (RoHS), Photobiological safety of lamps and lamp systems. (an Exemption Group) and other test certifications to ensure product quality

光效 (lm/W)、功率 (W)、顯色指數 (CRI), 可根據客戶需求定制。

此型號標準之功率因素 (PF) > 0.9, 總諧波指數 THD < 15%, 可按客戶需要生產低總諧波指數 < 10%。

此型號認證由可實驗室發出之安全認證消防測試, 環保物料 (RoHS), 光生物安全為 Exemption Group 及其它測試, 保證客戶使用更安心滿意。



東 櫛 LED 照 明 公 司  
**EASTLIKE LED Co., Ltd**

---

**Office Address:** Room B3, 18/F Bonsun Industrial Building,  
364-366 Sha Tsui Road, Tsuen Wan, HongKong

**Phone:** 852-3974 5593

**Fax:** 852-3544 0462

**Whatsapp:** +852-6756 770

**Email:** [info@eastlike.com](mailto:info@eastlike.com)