



**iLighting Global Enterprise Co., Ltd.**

Office Address: Room B3, 18/F Bonsun Industrial Building,  
364-366 Sha Tsui Road, Tsuen Wan, HongKong

Phone: 852-3107 7500

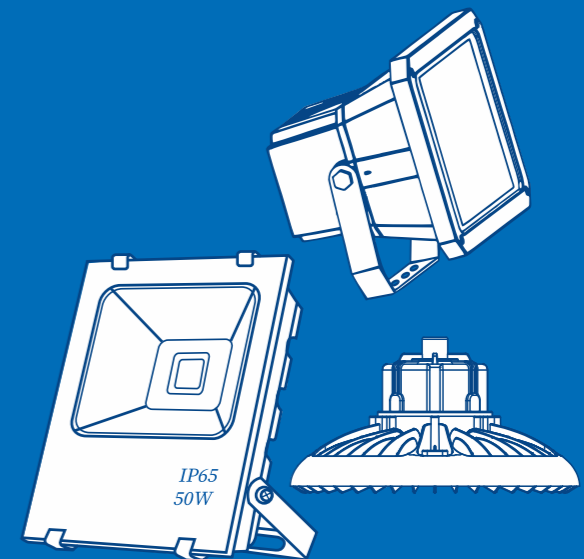
Fax: 852-3544 0462

Email: [info@ilighting.com.hk](mailto:info@ilighting.com.hk)

Website: [www.ilighting.com.hk](http://www.ilighting.com.hk)



# LED LIGHTING SERIES



# CATALOG

## Industrial Lighting Series

iLighting Global Enterprise Co., Ltd.

[www.ilighting.com.hk](http://www.ilighting.com.hk)



Catalog Series: 4D

# Industrial Lighting Series

LED Lighting Series

---

# CONTENTS



Industrial  
Lighting  
Series

Company Profile 公司簡介

1-2

Lighting Basic Concept 照明基本概念

3-6

LED Floodlight Series 泛光燈系列

7-18

LED High Bay Light Series 工礦燈系列

19-30

Explosion Proof Light Series 防爆燈系列

31-33

LED Wall Washer Light 洗牆燈

34-41

LED Street Light Series 路燈系列

41-51

## A LED Floodlight LED 泛光燈



## B LED High Bay Light LED 工矿燈



## C Explosion Proof Light 防爆燈



## D LED wall washer light 洗墙燈



## E LED street light LED 路燈



# Company Profile

## 公司簡介

### ABOUT US 關於我們

iLIGHTING Global Enterprise Co. Ltd. emerges as a professional and high-end lighting designer, manufacturer and supplier established in Hong Kong and Mainland China under the Brand name ' iLighting ' since 2007. The company is also a strategic OEM/ODM partner of many organization-wide lighting brands. Our company devotes herself in the development, manufacturing and marketing of green, low-carbon and energy-saving lighting products. With continuous investment on R&D , we are proud to provide a wide range of LED products and work with worldwide partners in developing and managing Energy Management System (EMS) through the application of 5G and WiFi technology.

iLIGHTING智能環球企業有限公司成立於2007年是一家集高端照明設計、製造和供應為一體的專業照明公司，自2007年起在香港和中國大陸以“iLighting”的名字成立。公司也是許多照明品牌的戰略性OEM/ODM合作夥伴。公司致力於綠色、低碳、節能照明產品的開發、製造和銷售。憑藉對研發的持續投資，我們自豪地提供範圍廣泛的LED產品，並通過應用5G和WiFi科技與全球合作夥伴合作開發和管理能源管理系統(EMS)。

### Product Capacity 生產能力

- LED lighting with integrated design and built-in advanced electronic driver for building lighting retrofit.
- LED indoor and outdoor lighting with internal and external drivers.
- LED lighting emergency fitting and charging packs.
- Extra long life LED lamps for high power high bay and flood lights.
- Total system solution for dimming lighting control deploying WiFi, DALI, Lonwork, Bluetooth 4.0, Zigbee technologies.
- OEM / ODM energy saving lighting as required by clients for new and retrofit installation.
- Total Energy Management Solution for Intelligent Building Management.
- LED照明與集成設計和內置先進的電子驅動器，用於建築照明改造。
- 室內和室外LED照明，有內部和外部驅動器。
- LED照明應急配件和充電器。
- 超長壽命LED燈，適用於大功率高位燈和泛光燈。
- 全系統調光照明控制解決方案，採用WiFi、DALI、Lonwork、Bluetooth 4.0、Zigbee 通訊技術。
- OEM/ODM節能照明，可根據客戶的要求進行更新改造。
- 智能建築管理總能源管理解決方案。

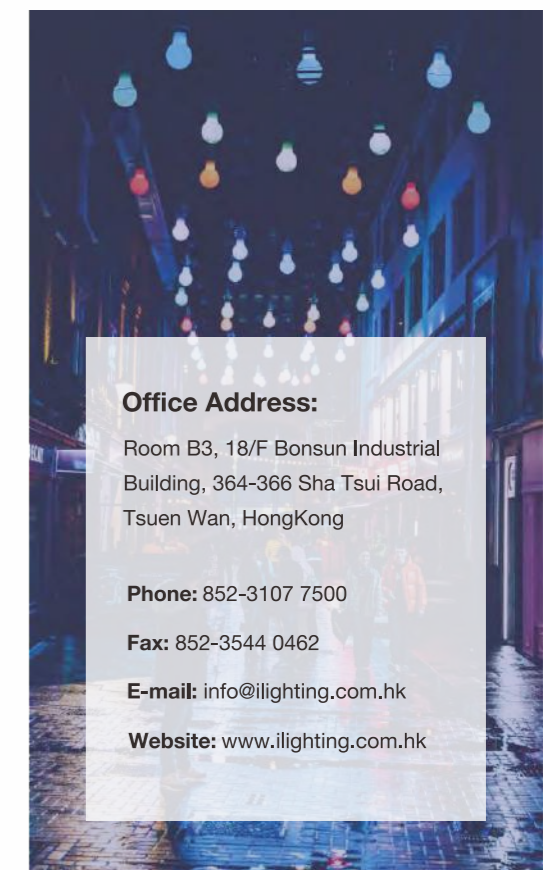
### Our Mission 我們的使命

We look to serve our client with the best quality of products and viable solutions of energy management system through intelligent system integration. Product adaptability is our strength ; continuous improvement is our norm of work and meeting customer satisfaction is our goal.

我們希望通過智能系統集成，為客戶提供最優質的產品和可行的能源管理系統解決方案。產品適應性是我們的優勢，持續改進是我們的工作準則，讓客戶滿意是我們的目標。

### Our Advantages 我們的優勢

- Excellent after-sale services.
- OEM and ODM for global lighting companies.
- Flexible design and tailor-made products to suit retrofit projects.
- 優良的售後服務。
- 為全球照明公司提供OEM和ODM。
- 靈活的設計和訂制的產品，以適應更新改造項目。



#### Office Address:

Room B3, 18/F Bonsun Industrial Building, 364-366 Sha Tsui Road, Tsuen Wan, HongKong

Phone: 852-3107 7500

Fax: 852-3544 0462

E-mail: info@ilighting.com.hk

Website: www.ilighting.com.hk



# Lighting Basic Concept

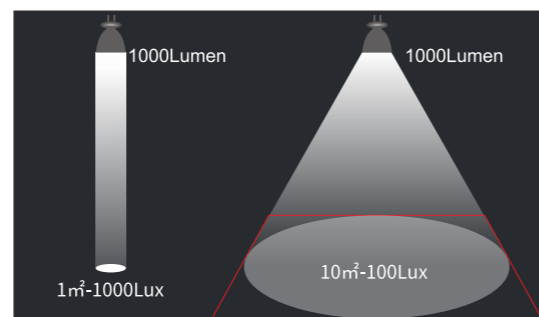
## 照明基本概念



### Lumen 流明

Lumen 實際上是代表著光的強度，也就是光通量(Luminous flux)即指光源在某單位時間內所發出之光線總數量。一般稱作光束)的單位，簡而言之，流明就是光束照在物體表面的量。

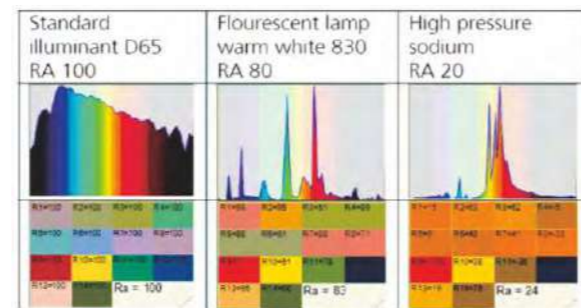
Lumen actually represents the intensity of lights. that is, the luminous flux(Luminous Flux) refers to the unit of the total amount of light emitted by a light source in a unit time, generally referred to as the light beam. In short, lumens is the light beam Amount on the surface of the object.



### Color Rendering Index 顯色度

顯色度以Ra來表示，天然光的顯色度為100 Ra，顯色度越接近100Ra，我們看到的顏色就越接近物體的自然原色。也就是顏色逼真的程度，顯色度高 我們所看到的顏色也就是較接近自然原色，顯色度低對於顏色的表現較差，所看到的顏色偏差也延遲。

Color rendering is represented by Ra, the color rendering of natural light is 100 Ra, the closer the color rendering is to 100 Ra, the color we see is closer to the natural primary color of the object. Color is realistic. The degree of color rendering is high. The color we see is close to natural primary color, low color rendering, poor performance for color, The color deviation seen is also delayed.



### Color Temperature 色溫

色溫及不同色溫應用什麼環境——以絕對溫度 K (kelvin) 來表示，色溫度 3000k以下時，光色有偏紅的現象(黃光)，給予一種溫暖、親切、舒適的感覺；色溫度超過 5000k時，顏色則偏向藍光(白光)，給人一種清冷的感覺，令環境變得清寧和寧靜。通常亞熱帶人較喜歡清冷 4000k以上，而寒帶的人較喜歡 4000k以下的色溫度。

Color temperature and what environment is used for different color temperatures-expressed in absolute temperature K (kelvin), when the color temperature is below 3000k, the light color has a reddish phenomenon (yellow light), giving a warm, friendly, comfortable feeling; color temperature exceeds 5000k At this time, the color is biased towards blue light (white light), giving a cool feeling. Make the environment clear and peaceful.

Generally, people in the subtropics prefer cold temperatures above 4000k, while those in the cold regions prefer colors below 4000k.

WB SETTINGS	COLOR TEMPERATURE	LIGHT SOURCES
☁	10000-15000K	Clear Blue Sky
	6500-8000K	Cloudy Sky / Shade
☀	6000-7000K	Noon Sunlight
	5500-6500K	Average Daylight
⚡	5000-5500K	Electronic Flash
	4000-5000K	Fluorescent Light
💡	3000-4000K	Early AM/ Late PM
	2500-3000K	Domestic Lighting
🕯	1000-2000K	Candle Flame



### Fire Proof Material 物料防火等級

塑料阻燃等級由 HB, V-2, V-1向V-0逐級遞增。

HB: UL94標準中最低的阻燃等級，要求對於3到13毫米厚的樣品，燃燒速度小於 40毫米每分鐘；小於 3毫米厚的樣品，燃燒速度小於 70毫米每分鐘；或者在 100毫米的標誌前熄滅。

V-2: 對樣品進行兩次 10秒的燃燒測試後，火焰在 30秒內熄滅，可以引燃 30cm下方的藥棉。

V-1: 對樣品進行兩次 10秒的燃燒測試後，火焰在 30秒內熄滅，不能引燃 30cm下方的藥棉。

V-0: 對樣品進行兩次 10秒的燃燒測試後，火焰在 10秒內熄滅，不能有燃燒物掉下。

Plastic flame retardant grades are gradually increased from HB, V-2, V-1 to V-0.

HB: The lowest flame retardant grade in the UL94 standard, Require for 3 to 13mm thick samples with a burning rate of less than 40 mm per minute; less than 3 mm thick samples with a burning rate of less than 70 mm per minute; or stop at 100 mm sign.

V-2: After two 10-second burn tests on the sample, the

flame stops at 30 seconds, would ignite cotton wool below 30cm.

V-1: After two 10-second fire tests on the sample, the flame was at 30 seconds Inside goes out. Would not ignite cotton wool below 30cm.

V-0: After two 10-second burn tests on the sample, the flame stops at 10 seconds. No burning substances should fall off.



### Power Factor 功率因數

日常使用的交流電壓是電壓高低不斷地在變化的，理想情況下，電壓和電流相位完全同相，Pf=1。同步下最大的發揮電線的傳輸效率。這情況下用電設備所使用的所有功率叫稱功率。

電器的最大電流瞬間比電網最高電壓的瞬時提前或滯後，那就

會降低電線的效率。由於其不同步，電線內阻造成額外的功率損耗，這部分損耗的功率稱無功率。

The AC voltage used in daily life is constantly changing in voltage, ideally in the following, voltage and current are called in-phase, and PF= 1. Can make the most of the wire transmission efficiency. In this case, all the power used by the electrical equipment is called active power.

The maximum current of the appliance is instantaneously earlier or later than the instant of the maximum voltage of the power grid. Will reduce the efficiency of the wire. Due to its non-synchronization, the internal resistance of the wire causes additional power loss, the power lost in this part is called no power. Therefore, we generally

want to make the electrical equipment as much as possible. The highest voltage is synchronized. The closer the PF is to 1, the more synchronized the wire loss is the more environmentally friendly.

Minimum Allowable Power Factor For Non-Directional LED Lamp With Integrated Driver

Rated Lamp Wattage(LW)	minimum allowable power factor
LW ≤ 5W	0.5
5W < LW ≤ 25W	0.7
LW > 25W	0.9

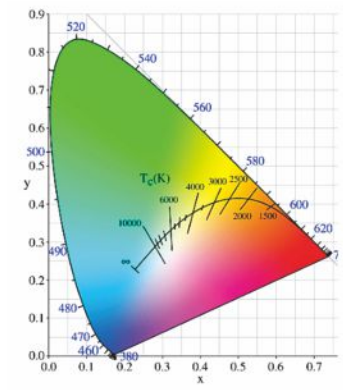
Minimum Allowable Power Factor For Directional LED Lamp With Integrated Driver

Rated Lamp Wattage(LW)	minimum allowable power factor
LW ≤ 5W	0.5
5W < LW ≤ 25W	0.7
LW > 25W	0.9

Information refer to Hong Kong Voluntary Energy Efficiency Labelling for LED lamp-January 2017 EMSD (Electrical and Mechanical Services Department)

Nominal CCT	Target CCT and tolerance(K)	Target DUV and tolerance(K)
2700k	2725 ± 145	0.000 ± 0.006
3000k	3045 ± 175	0.000 ± 0.006
3500k	3465 ± 245	0.000 ± 0.006
4000k	3985 ± 275	0.001 ± 0.006
4500k	4503 ± 243	0.001 ± 0.006
5000k	5026 ± 283	0.002 ± 0.006
5700k	5665 ± 355	0.002 ± 0.006
6500k	6530 ± 510	0.003 ± 0.006
Flexible CCT(2700-6500k)	T <sub>r</sub> ± ΔT <sub>r</sub>	D <sub>v</sub> ± 0.006

The LED lamp must have one of the rated Correlated Colour Temperatures (CCTs) including 2700K,3000K,3500K,4000K,4500K,5000K,5700K,6500K and flexible CCT consistent with the 7-step chromaticity, quadrangles and Duv tolerances as indicated in Table 1. The measured initial CCT and initial DUV shall be within the tolerances of target CCT and target DUV of the selected rated CCT.



## Stroboscopic Suppression 頻閃抑制

理想的光源亮度是鎮流後之直流電壓恆定不變的，這就是理論上的絕對無頻閃。實際上我們平常使用的燈具直流電壓都不會真正的恆定不變，週期的亮度高低變化程度就是頻率。

市面常見LED驅動電路，頻閃深度最大的頻率一般都是100HZ左右。因為PWM高頻是調製在50HZ整流後的電壓上。實際燈具中，任何的頻率上都有一定的頻閃深度（最亮的亮

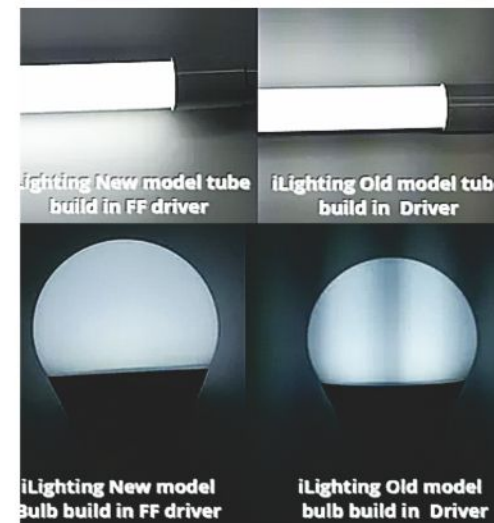
度和最暗的亮度之差）。那麼，這裡就存在一個頻閃深度最大的時候所對應的頻閃頻率。還有就是最大的頻閃深度值。

頻閃頻率越高對人的影響越小，頻閃深度越小對人的影響越小，總體來說頻閃深度越小對人降低或消除導致視力疲勞的低頻率光，減輕眼睛負擔，關愛眼睛。

Ideal light source brightness is constant, which is absolute no stroboscopic depth. In fact, the brightness of the lamps we usually install will not be truly stable. The degree of change in the brightness within the period is the frequency.

The common LED drive circuit in the market has the stroboscopic depth at frequency 100 HZ or so. This is because PWM high frequency is modulated on the voltage after 50 HZ rectification. In actual lamps, there will be a certain stroboscopic depth at any frequency. (The difference between the greatest brightest and smallest brightness). Well, there would be the strobe frequency corresponding to the maximum stroboscopic depth, that has the biggest strobe depth value.

The higher the strobe frequency, the smaller the impact is on peoples. As a conclusion, the lower the stroboscopic depth can reduce or eliminate low-frequency light vision fatigue that reduces the burden on the eyes and cares about eye health.



## LED International standard for chromaticity difference

### LED 光源色度差異之國際標準

Chromaticity Tolerances

Quadrangles

— In both ΔCCT and Duv directions

— Approximately equal to 7-step MacAdam ellipses



## Light source efficiency lm/w (lumen efficiency)

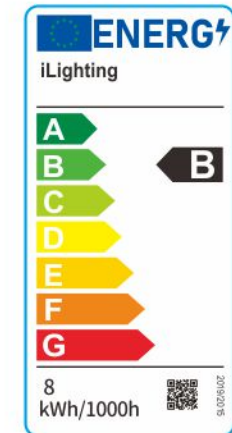
### 光源效率 lm/w (流明效率)

光源的效率取決於其所發出的光的流明除以起耗電量所得值LED光亮度，並非似功耗(W)度量，而是以流明輸出(lm)來決定。

iLighting LED 流明效益高，更有歐洲B級能源標籤，保證節電環保。

The efficiency of a light source depends on the lumen of the light it emits divided by the power consumption LED brightness is not similar to wattage (W) measurement, but measured in lumens output (lm) Decide.

iLighting LED Lumen has high lumen efficiency, and it also has obtained European B energy label to ensure power saving and environmental protection.



# LED Floodlight

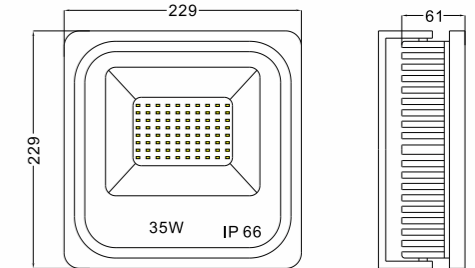
Series Type: FL-A-C

## Features 產品特點 >>

- Material: aluminum, PC shell
- Using high performance Philips SMD LED(120lm/W)
- Flexible mounting bracket for easy installation and removal
- Better heat dissipation design to extend product life
- Suitable for indoor and outdoor lighting applications
- Certificate: CE RoHS



- 外殼材料：鋁，PC外殼
- 採用高性能飛利浦 SMD LED (120lm / W)
- 靈活的安裝支架，方便安裝和拆卸
- 更好的散熱設計，延長產品使用壽命
- 適用於室內和室外照明應用
- 證書：CE RoHS



Unit : mm

## Specification 產品規格 >>

Model 型號	Voltage 電壓	Power 功率	Lumen 流明	Power Factor 功率因數	Colour Temp 色溫	Life Time 壽命	Beam Angle 光束角	Working Temperature 工作溫度	IP Rating IP等級	Size 尺寸
	(V)	(W)	(lm)	(PF)	(K)	(H)	(°)	(°C)		(mm)
FL-A35-C128B	85~265	35	4200	>0.9	2700-6500	50,000	120	-20~45	66	229*229*61

- LED, power (W), driver can be customized according to customer needs
- Our Standard Color Rendering (CRI) > 70 and Total harmonic index THD < 15%, According to customer requirements can produce a lower THD < 10%
- This type of certification is issued by a government-approved laboratory for Safety certification, Fire testing, Restriction of Hazardous Substances(RoHS), Photobiological safety of lamps and lamp systems.( an Exemption Group) and other test certifications to ensure product quality

- LED、功率 (W)、驅動可根據客戶需求定制
- 此型號標準之顯色指數 (CRI) > 70, 總諧波指數 THD < 15%, 可按客戶需要生產低總諧波指數 < 10%
- 此型號認證由可實驗室發出之安全認證消防測試, 環保物料 (RoHS), 光生物安全為 Exemption Group 及其它測試, 保證客戶使用更安心滿意

# LED Floodlight

LED 泛光燈



# LED Floodlight

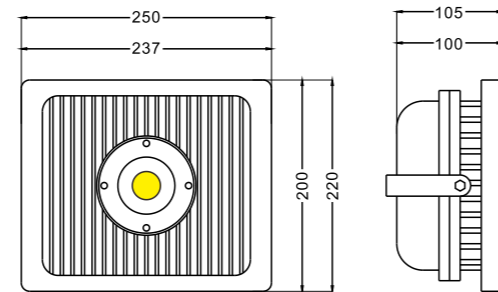
Series Type: FL-A-H

## Features 產品特點 >>

- Material: aluminum, PC
- Using the famous Bridgelux COB LED(120lm/W)
- Flexible mounting bracket for easy installation and removal
- Better heat dissipation design to extend product life
- Suitable for indoor and outdoor lighting applications
- Certificate: CE RoHS



- 外殼材料: 鋁, PC
- 採用著名的Bridgelux COB LED (120lm / W)
- 靈活的安裝支架, 方便安裝和拆卸
- 更好的散熱設計, 延長產品使用壽命
- 適用於室內和室外照明應用
- 證書: CE RoHS



Unit : mm

## Specification 產品規格 >>

Model 型號	Voltage 電壓 (V)	Power 功率 (W)	Lumen 流明 (lm)	Power Factor 功率因數 (PF)	Colour Temp 色溫 (K)	Life Time 壽命 (H)	Beam Angle 光束角 (°)	Working Temperature 工作溫度 (°C)	IP Rating IP等級	Size 尺寸 (mm)
FL-A20-H128E	85~265	20	2400	>0.9	2700-6500	50,000	120	-20~45	66	237*200*100
FL-A30-H128E	85~265	30	3600	>0.9	2700-6500	50,000	120	-20~45	66	237*200*100
FL-A50-H128E	85~265	50	6000	>0.9	2700-6500	50,000	120	-20~45	66	250*220*105

- LED, power (W), driver can be customized according to customer needs
- Our Standard Color Rendering (CRI) > 70 and Total harmonic index THD < 15%, According to customer requirements can produce a lower THD < 10%
- This type of certification is issued by a government-approved laboratory for Safety certification, Fire testing, Restriction of Hazardous Substances(RoHS), Photobiological safety of lamps and lamp systems.( an Exemption Group) and other test certifications to ensure product quality

- LED、功率(W)、驅動可根據客戶需求定制
- 此型號標準之顯色指數(CRI)>70, 總諧波指數THD<15%, 可按客戶需要生產低總諧波指數<10%
- 此型號認證由可實驗室發出之安全認證消防測試, 環保物料(RoHS), 光生物安全為Exemption Group及其它測試, 保證客戶使用更安心滿意

# LED Floodlight

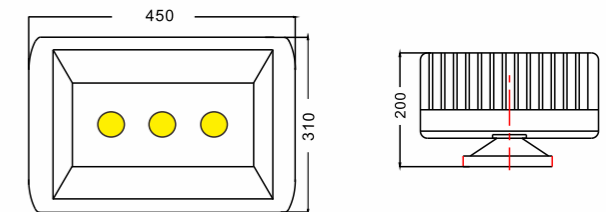
Series Type: FL-A-H

## Features 產品特點 >>

- Material: aluminum, Clear tempered Glass
- Using the famous Bridgelux COB LED
- Flexible mounting bracket for easy installation and removal
- Better heat dissipation design to extend product life
- Suitable for indoor and outdoor lighting applications
- Certificate: CE RoHS



- 外殼材料: 鋁, 透明鋼化玻璃
- 採用著名的Bridgelux COB LED
- 靈活的安裝支架, 方便安裝和拆卸
- 更好的散熱設計, 延長產品使用壽命
- 適用於室內和室外照明應用
- 證書: CE RoHS



Unit : mm

## Specification 產品規格 >>

Model 型號	Voltage 電壓 (V)	Power 功率 (W)	Lumen 流明 (lm)	Power Factor 功率因數 (PF)	Colour Temp 色溫 (K)	Life Time 壽命 (H)	Beam Angle 光束角 (°)	Working Temperature 工作溫度 (°C)	IP Rating IP等級	Size 尺寸 (mm)
FL-A100-H138E	85~265	100	13000	>0.9	2700~6500	50,000	120	-20~45	66	360*250*135
FL-A150-H138E	85~265	150	19500	>0.9	2700~6500	50,000	120	-20~45	66	450*310*200
FL-A200-H138E	85~265	200	26000	>0.9	2700~6500	50,000	120	-20~45	66	510*320*200
FL-A250-H138E	85~265	250	32500	>0.9	2700~6500	50,000	120	-20~45	66	650*320*200
FL-A300-H138E	85~265	300	39000	>0.9	2700~6500	50,000	120	-20~45	66	740*320*200

- LED, power (W), driver can be customized according to customer needs
- Our Standard Color Rendering (CRI) > 70 and Total harmonic index THD < 15%, According to customer requirements can produce a lower THD < 10%
- This type of certification is issued by a government-approved laboratory for Safety certification, Fire testing, Restriction of Hazardous Substances(RoHS), Photobiological safety of lamps and lamp systems.( an Exemption Group) and other test certifications to ensure product quality

- LED、功率(W)、驅動可根據客戶需求定制
- 此型號標準之顯色指數(CRI)>70, 總諧波指數THD<15%, 可按客戶需要生產低總諧波指數<10%
- 此型號認證由可實驗室發出之安全認證消防測試, 環保物料(RoHS), 光生物安全為Exemption Group及其它測試, 保證客戶使用更安心滿意

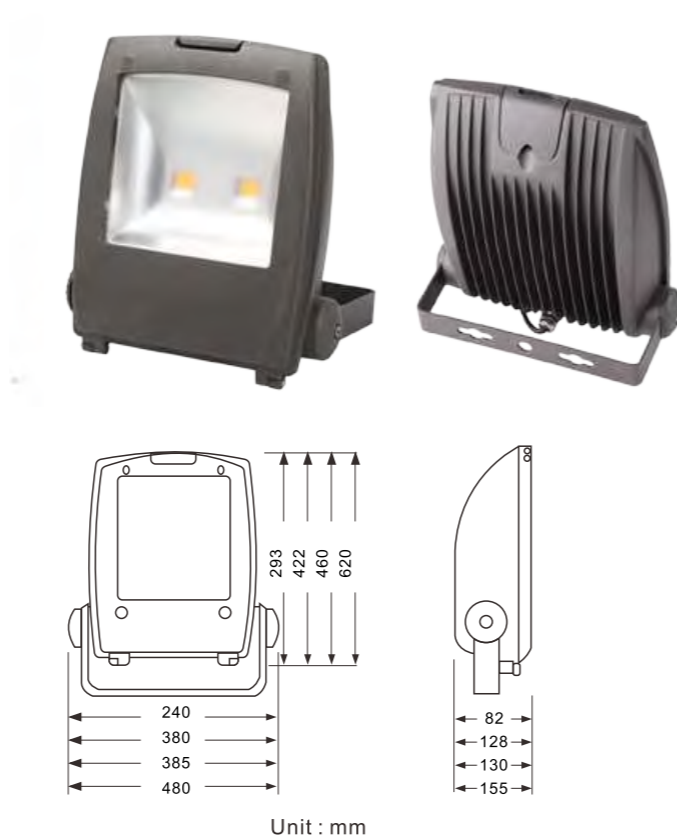
# LED Floodlight

## Series Type: FL-A-FQ

### Features 產品特點 >>

- Material: Die-casting aluminum body
- Using the famous Bridgelux COB LED (130lm/W)
- Flexible mounting bracket for easy installation and removal
- Better heat dissipation design to extend product life
- Suitable for indoor and outdoor lighting applications
- Finishes: White/Black/Gray
- Certificate: CE RoHS

- 外殼材料: 壓鑄鋁機身
- 採用著名的Bridgelux COB LED (130lm / W)
- 靈活的安裝支架, 方便安裝和拆卸
- 更好的散熱設計, 延長產品使用壽命
- 適用於室內和室外照明應用
- 表面處理: 白色/黑色/灰色
- 證書: CE RoHS



Unit : mm

### Specification 產品規格 >>

Model 型號	Voltage 電壓 (V)	Power 功率 (W)	Lumen 流明 (lm)	Power Factor 功率因數 (PF)	Colour Temp 色溫 (K)	Life Time 壽命 (H)	Beam Angle 光束角 (°)	Working Temperature 工作溫度 (°C)	IP Rating IP等級	Size 尺寸 (mm)
FL-A50-FQ35	85~305	50	6500	>0.9	2700-6500	50,000	120	-45~75	66	293*240*82
FL-A100-FQ310	85~305	100	13000	>0.9	2700-6500	50,000	120	-45~75	66	422*380*128
FL-A150-FQ315	85~305	150	19500	>0.9	2700-6500	50,000	120	-45~75	66	460*385*130
FL-A200-FQ320	85~305	200	26000	>0.9	2700-6500	50,000	120	-45~75	66	620*480*155

- LED, power (W), driver can be customized according to customer needs
- Our Standard Color Rendering (CRI) > 70 and Total harmonic index THD < 15%, According to customer requirements can produce a lower THD < 10%
- This type of certification is issued by a government-approved laboratory for Safety certification, Fire testing, Restriction of Hazardous Substances(RoHS), Photobiological safety of lamps and lamp systems.( an Exemption Group) and other test certifications to ensure product quality

- LED、功率(W)、驅動可根據客戶需求定制
- 此型號標準之顯色指數(CRI)>70, 總諧波指數THD<15%, 可按客戶需要生產低總諧波指數<10%
- 此型號認證由可實驗室發出之安全認證消防測試, 環保物料(RoHS), 光生物安全為Exemption Group及其它測試, 保證客戶使用更安心滿意

# LED Floodlight

## Series Type: FL-A-FR03

### Features 產品特點 >>

- Material: Die-casting aluminum body
- Using high performance Philips SMD LED (140lm/W)
- Flexible mounting bracket for easy installation and removal
- Better heat dissipation design to extend product life
- Suitable for indoor and outdoor lighting applications
- Certificate: CE RoHS

- 外殼材料: 壓鑄鋁機身
- 採用高性能飛利浦 SMD LED (140lm / W)
- 靈活的安裝支架, 方便安裝和拆卸
- 更好的散熱設計, 延長產品使用壽命
- 適用於室內和室外照明應用
- 證書: CE RoHS



Unit : mm

### Specification 產品規格 >>

Model 型號	Voltage 電壓 (V)	Power 功率 (W)	Lumen 流明 (lm)	Power Factor 功率因數 (PF)	Colour Temp 色溫 (K)	Life Time 壽命 (H)	Beam Angle 光束角 (°)	Working Temperature 工作溫度 (°C)	IP Rating IP等級	Size 尺寸 (mm)
FL-A50-FR03-15	100~240	50	7000	>0.9	2700-6500	50,000	120	-30~50	65	320*224*50
FL-A100-FR03-110	100~240	100	14000	>0.9	2700-6500	50,000	120	-30~50	65	422*291*62
FL-A150-FR03-110	100~240	150	21000	>0.9	2700-6500	50,000	120	-30~50	65	422*291*62
FL-A200-FR03-120	100~240	200	28000	>0.9	2700-6500	50,000	120	-30~50	65	520*342*65

- LED, power (W), driver can be customized according to customer needs
- Our Standard Color Rendering (CRI) > 70 and Total harmonic index THD < 15%, According to customer requirements can produce a lower THD < 10%
- This type of certification is issued by a government-approved laboratory for Safety certification, Fire testing, Restriction of Hazardous Substances(RoHS), Photobiological safety of lamps and lamp systems.( an Exemption Group) and other test certifications to ensure product quality

- LED、功率(W)、驅動可根據客戶需求定制
- 此型號標準之顯色指數(CRI)>70, 總諧波指數THD<15%, 可按客戶需要生產低總諧波指數<10%
- 此型號認證由可實驗室發出之安全認證消防測試, 環保物料(RoHS), 光生物安全為Exemption Group及其它測試, 保證客戶使用更安心滿意

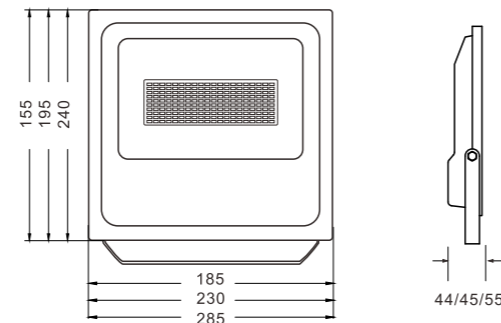
# LED Floodlight

Series Type: FL-A-FA

## Features 產品特點 >>

- Material: Die-casting aluminum body
- Using high performance Philips SMD LED (130lm/W)
- Flexible mounting bracket for easy installation and removal
- Better heat dissipation design to extend product life
- Suitable for indoor and outdoor lighting applications
- Certificate: CE RoHS

- 外殼材料: 壓鑄鋁機身
- 採用高性能飛利浦 SMD LED (130lm/W)
- 靈活的安裝支架, 方便安裝和拆卸
- 更好的散熱設計, 延長產品使用壽命
- 適用於室內和室外照明應用
- 證書: CE RoHS



Unit : mm

## Specification 產品規格 >>

Model 型號	Voltage 電壓 (V)	Power 功率 (W)	Lumen 流明 (lm)	Power Factor 功率因數 (PF)	Colour Temp 色溫 (K)	Life Time 壽命 (H)	Beam Angle 光束角 (°)	Working Temperature 工作溫度 (°C)	IP Rating IP等級	Size 尺寸 (mm)
FL-A50-FA83	85~305	30	3900	>0.9	2700-6500	50,000	120	-25~50	65	185*155*44
FL-A100-FA85	85~305	50	6500	>0.9	2700-6500	50,000	120	-25~50	65	230*195*45
FL-A150-FA810	85~305	100	13000	>0.9	2700-6500	50,000	120	-25~50	65	285*240*55

- LED, power (W), driver can be customized according to customer needs
- Our Standard Color Rendering (CRI) > 70 and Total harmonic index THD < 15%, According to customer requirements can produce a lower THD < 10%
- This type of certification is issued by a government-approved laboratory for Safety certification, Fire testing, Restriction of Hazardous Substances(RoHS), Photobiological safety of lamps and lamp systems.( an Exemption Group) and other test certifications to ensure product quality

- LED、功率 (W)、驅動可根據客戶需求定制
- 此型號標準之顯色指數 (CRI) > 70, 總諧波指數 THD < 15%, 可按客戶需要生產低總諧波指數 < 10%
- 此型號認證由可實驗室發出之安全認證消防測試, 環保物料 (RoHS), 光生物安全為 Exemption Group 及其它測試, 保證客戶使用更安心滿意

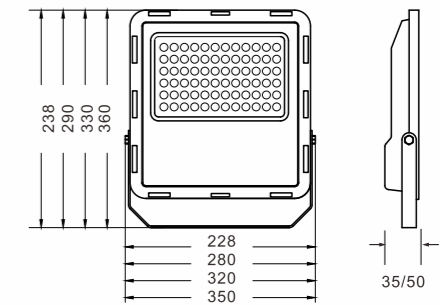
# LED Floodlight

Series Type: FL-A-FN

## Features 產品特點 >>

- Material: Die-casting aluminum body
- Using high performance Philips SMD LED (120lm/W)
- Flexible mounting bracket for easy installation and removal
- Better heat dissipation design to extend product life
- Suitable for indoor and outdoor lighting applications
- Certificate: CE RoHS

- 外殼材料: 壓鑄鋁機身
- 採用高性能飛利浦 SMD LED (120lm/W)
- 靈活的安裝支架, 方便安裝和拆卸
- 更好的散熱設計, 延長產品使用壽命
- 適用於室內和室外照明應用
- 證書: CE RoHS



Unit : mm

## Specification 產品規格 >>

Model 型號	Voltage 電壓 (V)	Power 功率 (W)	Lumen 流明 (lm)	Power Factor 功率因數 (PF)	Colour Temp 色溫 (K)	Life Time 壽命 (H)	Beam Angle 光束角 (°)	Working Temperature 工作溫度 (°C)	IP Rating IP等級	Size 尺寸 (mm)
FL-A50-FN25	100~240	50	6000	>0.9	2700-6500	50,000	120	-20~50	65	238*228*35
FL-A100-FN210	100~240	100	12000	>0.9	2700-6500	50,000	120	-20~50	65	290*280*50
FL-A150-FN215	100~240	150	18000	>0.9	2700-6500	50,000	120	-20~50	65	330*320*50
FL-A200-FN220	100~240	200	24000	>0.9	2700-6500	50,000	120	-20~50	65	360*350*50

- LED, power (W), driver can be customized according to customer needs
- Our Standard Color Rendering (CRI) > 70 and Total harmonic index THD < 15%, According to customer requirements can produce a lower THD < 10%
- This type of certification is issued by a government-approved laboratory for Safety certification, Fire testing, Restriction of Hazardous Substances(RoHS), Photobiological safety of lamps and lamp systems.( an Exemption Group) and other test certifications to ensure product quality

- LED、功率 (W)、驅動可根據客戶需求定制
- 此型號標準之顯色指數 (CRI) > 70, 總諧波指數 THD < 15%, 可按客戶需要生產低總諧波指數 < 10%
- 此型號認證由可實驗室發出之安全認證消防測試, 環保物料 (RoHS), 光生物安全為 Exemption Group 及其它測試, 保證客戶使用更安心滿意

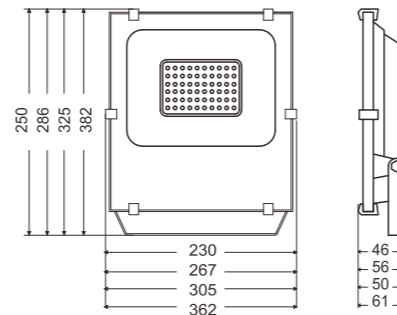
# LED Floodlight

Series Type: FL-A-FJ

## Features 產品特點 >>

- Material: Die-casting aluminum body
- Using high performance Philips SMD LED (120lm/W)
- Flexible mounting bracket for easy installation and removal
- Better heat dissipation design to extend product life
- Suitable for indoor and outdoor lighting applications
- Certificate: CE RoHS

- 外殼材料: 壓鑄鋁機身
- 採用高性能飛利浦 SMD LED (120lm/W)
- 靈活的安裝支架, 方便安裝和拆卸
- 更好的散熱設計, 延長產品使用壽命
- 適用於室內和室外照明應用
- 證書: CE RoHS



Unit : mm

## Specification 產品規格 >>

Model 型號	Voltage 電壓 (V)	Power 功率 (W)	Lumen 流明 (lm)	Power Factor 功率因數 (PF)	Colour Temp 色溫 (K)	Life Time 壽命 (H)	Beam Angle 光束角 (°)	Working Temperature 工作溫度 (°C)	IP Rating IP等級	Size 尺寸 (mm)
FL-A50-FJ35	100-240	50	6000	>0.9	2700-6500	50,000	120	-20~50	65	250*230*46
FL-A100-FJ310	100-240	100	12000	>0.9	2700-6500	50,000	120	-20~50	65	286*267*56
FL-A150-FJ315	100-240	150	18000	>0.9	2700-6500	50,000	120	-20~50	65	325*305*50
FL-A200-FJ320	100-240	200	24000	>0.9	2700-6500	50,000	120	-20~50	65	382*362*61

- LED, power (W), driver can be customized according to customer needs
- Our Standard Color Rendering (CRI) > 70 and Total harmonic index THD < 15%, According to customer requirements can produce a lower THD < 10%
- This type of certification is issued by a government-approved laboratory for Safety certification, Fire testing, Restriction of Hazardous Substances (RoHS), Photobiological safety of lamps and lamp systems. (an Exemption Group) and other test certifications to ensure product quality

- LED、功率 (W)、驅動可根據客戶需求定制
- 此型號標準之顯色指數 (CRI) > 70, 總諧波指數 THD < 15%, 可按客戶需要生產低總諧波指數 < 10%
- 此型號認證由可實驗室發出之安全認證消防測試, 環保物料 (RoHS), 光生物安全為 Exemption Group 及其它測試, 保證客戶使用更安心滿意

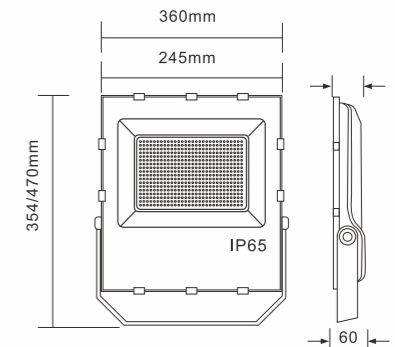
# LED Floodlight

Series Type: FL-A

## Features 產品特點 >>

- Material: aluminum ,glass
- Professional light distribution and reflector light distribution to meet the lighting requirements of high altitude and floodlight places
- International famous brand LED light source, low light decay, long life
- Thickened steel bracket, safe and stable, adjustable angle
- Application: Construction site, port terminal, railway, airport, advertising projection, outdoor square, large indoor stadiums and outdoor courts

- 外殼材料: 鋁、玻璃
- 專業配光和反光配光, 滿足高海拔和泛光照明場所的照明要求
- 國際知名品牌 LED 光源, 光衰減低, 壽命長
- 加厚鋼支架, 安全穩定, 角度可調
- 應用於: 建築工地、港口碼頭、鐵路、機場、廣告投影、戶外廣場、大型室內體育場館和室外球場



Unit : mm

## Specification 產品規格 >>

Model 型號	Voltage 電壓 (V)	Power 功率 (W)	Lumen 流明 (lm)	Power Factor 功率因數 (PF)	Colour Temp 色溫 (K)	Life Time 壽命 (H)	Beam Angle 光束角 (°)	Working Temperature 工作溫度 (°C)	IP Rating IP等級	Size 尺寸 (mm)
FL-A80	110~277	80	9600	>0.9	4000/6000	50,000	120	-20~50	65	245*354*60
FL-A300	110~277	300	36000	>0.9	4000/6000	50,000	120	-20~50	65	360*470*60

- LED, power (W), driver can be customized according to customer needs
- Our Standard Color Rendering (CRI) > 70 and Total harmonic index THD < 15%, According to customer requirements can produce a lower THD < 10%
- This type of certification is issued by a government-approved laboratory for Safety certification, Fire testing, Restriction of Hazardous Substances (RoHS), Photobiological safety of lamps and lamp systems. (an Exemption Group) and other test certifications to ensure product quality

- LED、功率 (W)、驅動可根據客戶需求定制
- 此型號標準之顯色指數 (CRI) > 70, 總諧波指數 THD < 15%, 可按客戶需要生產低總諧波指數 < 10%
- 此型號認證由可實驗室發出之安全認證消防測試, 環保物料 (RoHS), 光生物安全為 Exemption Group 及其它測試, 保證客戶使用更安心滿意

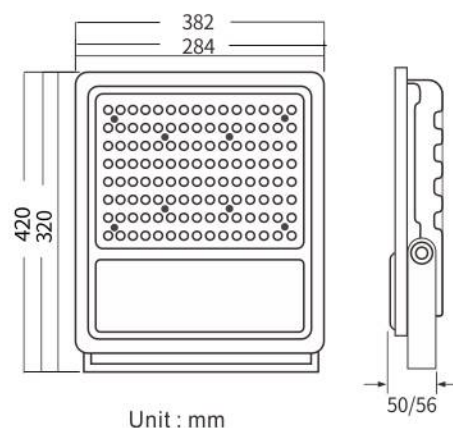
# LED Floodlight

## Series Type: FL-A

### Features 產品特點 >>

- Material: aluminum ,glass
- High lumen chips
- Waterproof driver
- Good heatsink
- Easy to install and remove

- 外殼材料: 鋁、玻璃
- 高流明燈珠
- 防水電源
- 散熱良好
- 易於安裝和拆卸



Unit : mm

### Specification 產品規格 >>

Model 型號	Voltage 電壓	Power 功率	Lumen 流明	Power Factor 功率因數	Colour Temp 色溫	Life Time 壽命	Beam Angle 光束角	Working Temperature 工作溫度	IP Rating IP等級	Size 尺寸
	(V)	(W)	(lm)	(PF)	(K)	(H)	(°)	(°C)		(mm)
FL-A100	85~265	100	9600	>0.9	6500	50,000	120	-20~50	65	284*320*50
FL-A200	85~265	200	36000	>0.9	6500	50,000	120	-20~50	65	382*420*56

- LED, power (W), driver can be customized according to customer needs
- Our Standard Color Rendering (CRI) > 70 and Total harmonic index THD < 15%, According to customer requirements can produce a lower THD < 10%
- This type of certification is issued by a government-approved laboratory for Safety certification, Fire testing, Restriction of Hazardous Substances(RoHS), Photobiological safety of lamps and lamp systems.( an Exemption Group) and other test certifications to ensure product quality

- LED、功率 (W)、驅動可根據客戶需求定制
- 此型號標準之顯色指數 (CRI) > 70, 總諧波指數 THD < 15%, 可按客戶需要生產低總諧波指數 < 10%
- 此型號認證由可實驗室發出之安全認證消防測試, 環保物料 (RoHS), 光生物安全為 Exemption Group 及其它測試, 保證客戶使用更安心滿意

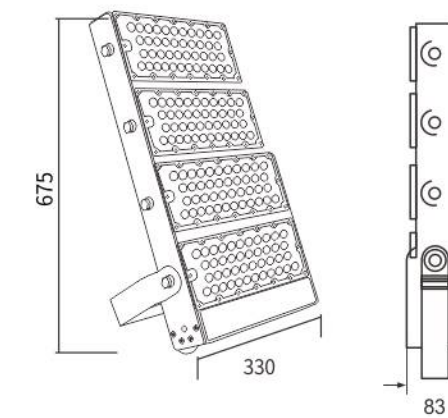
# LED Floodlight

## Series Type: FL-A

### Features 產品特點 >>

- Material: aluminum
- High Lumen efficiency
- Waterproof Driver \* 2 nos
- Good Heatsink
- Easy to install and remove

- 外殼材料: 鋁
- 流明效率高
- 2個防水電源
- 散熱良好
- 易於安裝和拆卸



Unit : mm

### Specification 產品規格 >>

Model 型號	Voltage 電壓	Power 功率	Lumen 流明	Power Factor 功率因數	Colour Temp 色溫	Life Time 壽命	Beam Angle 光束角	Working Temperature 工作溫度	IP Rating IP等級	Size 尺寸
	(V)	(W)	(lm)	(PF)	(K)	(H)	(°)	(°C)		(mm)
FL-A600	100~305	600	84000	>0.95	4000/6500	50,000	60/90/100	-20~50	67	330*675*83

- LED, power (W), driver can be customized according to customer needs
- Our Standard Color Rendering (CRI) > 70 and Total harmonic index THD < 15%, According to customer requirements can produce a lower THD < 10%
- This type of certification is issued by a government-approved laboratory for Safety certification, Fire testing, Restriction of Hazardous Substances(RoHS), Photobiological safety of lamps and lamp systems.( an Exemption Group) and other test certifications to ensure product quality

- LED、功率 (W)、驅動可根據客戶需求定制
- 此型號標準之顯色指數 (CRI) > 70, 總諧波指數 THD < 15%, 可按客戶需要生產低總諧波指數 < 10%
- 此型號認證由可實驗室發出之安全認證消防測試, 環保物料 (RoHS), 光生物安全為 Exemption Group 及其它測試, 保證客戶使用更安心滿意



# LED High Bay Light

LED 工礦燈

## LED High Bay Light

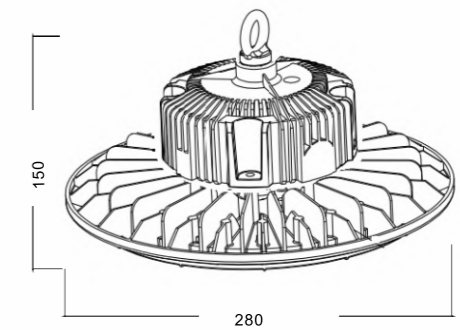
Series Type: HB-A100-H-UFO

### Features 產品特點 >>

- Material: aluminum, Clear tempered Glass
- Special heat dissipation structure design
- Using high performance Philips SMD LED(140lm/W)
- Lightweight and easy to install
- Suitable for indoor and outdoor lighting applications
- Certificate: CE RoHS



- 外殼材料：鋁，透明鋼化玻璃
- 特殊的散熱結構設計
- 採用高性能飛利浦 SMD LED (140lm / W)
- 質量輕，方便安裝
- 適用於室內和室外照明應用
- 證書：CE RoHS



Unit : mm

### Specification 產品規格 >>

Model 型號	Voltage 電壓	Power 功率	Lumen 流明	Power Factor 功率因數	Colour Temp 色溫	Life Time 壽命	Beam Angle 光束角	Working Temperature 工作溫度	IP Rating IP等級	Size 尺寸
	(V)	(W)	(lm)	(PF)	(K)	(H)	(°)	(°C)		(mm)
HB-A100-H148F-UFO	85~265	100	14000	>0.9	6000	50,000	120	-20~45	65	280*150

- LED, power (W), driver can be customized according to customer needs
- Our Standard Color Rendering (CRI) > 70 and Total harmonic index THD < 15%, According to customer requirements can produce a lower THD < 10%
- This type of certification is issued by a government-approved laboratory for Safety certification, Fire testing, Restriction of Hazardous Substances(RoHS), Photobiological safety of lamps and lamp systems.( an Exemption Group) and other test certifications to ensure product quality

- LED、功率 (W)、驅動可根據客戶需求定制
- 此型號標準之顯色指數 (CRI) > 70, 總諧波指數 THD < 15%, 可按客戶需要生產低總諧波指數 < 10%
- 此型號認證由可實驗室發出之安全認證消防測試, 環保物料 (RoHS), 光生物安全為 Exemption Group 及其它測試, 保證客戶使用更安心滿意

# LED High Bay Light

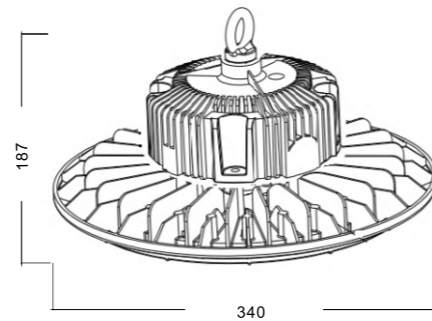
Series Type: HB-A150-H-UFO

## Features 產品特點 >>

- Material: aluminum, Clear tempered Glass
- Special heat dissipation structure design
- Using high performance Philips SMD LED(140lm/W)
- Lightweight and easy to install
- Suitable for indoor and outdoor lighting applications
- Certificate: CE RoHS



- 外殼材料: 鋁, 透明鋼化玻璃
- 特殊的散熱結構設計
- 採用高性能飛利浦 SMD LED (140lm / W)
- 質量輕, 方便安裝
- 適用於室內和室外照明應用
- 證書: CE RoHS



Unit : mm

## Specification 產品規格 >>

Model 型號	Voltage 電壓	Power 功率	Lumen 流明	Power Factor 功率因數	Colour Temp 色溫	Life Time 壽命	Beam Angle 光束角	Working Temperature 工作溫度	IP Rating IP等級	Size 尺寸
	(V)	(W)	(lm)	(PF)	(K)	(H)	(°)	(°C)		(mm)
HB-A150-H148F-UFO	85~265	150	21000	>0.9	6000	50,000	120	-20~45	65	340*187

- LED, power (W), driver can be customized according to customer needs
- Our Standard Color Rendering (CRI) > 70 and Total harmonic index THD < 15%, According to customer requirements can produce a lower THD < 10%
- This type of certification is issued by a government-approved laboratory for Safety certification, Fire testing, Restriction of Hazardous Substances(RoHS), Photobiological safety of lamps and lamp systems.( an Exemption Group) and other test certifications to ensure product quality

- LED、功率(W)、驅動可根據客戶需求定制
- 此型號標準之顯色指數(CRI)>70, 總諧波指數THD<15%, 可按客戶需要生產低總諧波指數<10%
- 此型號認證由可實驗室發出之安全認證消防測試, 環保物料(RoHS), 光生物安全為Exemption Group及其它測試, 保證客戶使用更安心滿意

# LED High Bay Light

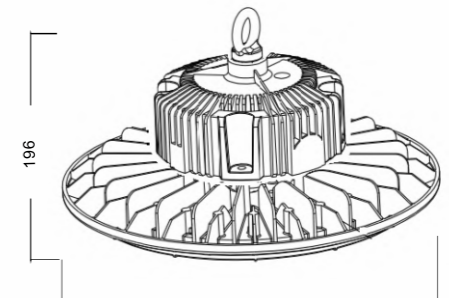
Series Type: HB-A200-H-UFO

## Features 產品特點 >>

- Material: aluminum, Clear tempered Glass
- Special heat dissipation structure design
- Using high performance Philips SMD LED(140lm/W)
- Lightweight and easy to install
- Suitable for indoor and outdoor lighting applications
- Certificate: CE RoHS



- 外殼材料: 鋁, 透明鋼化玻璃
- 特殊的散熱結構設計
- 採用高性能飛利浦 SMD LED (140lm / W)
- 質量輕, 方便安裝
- 適用於室內和室外照明應用
- 證書: CE RoHS



Unit : mm

## Specification 產品規格 >>

Model 型號	Voltage 電壓	Power 功率	Lumen 流明	Power Factor 功率因數	Colour Temp 色溫	Life Time 壽命	Beam Angle 光束角	Working Temperature 工作溫度	IP Rating IP等級	Size 尺寸
	(V)	(W)	(lm)	(PF)	(K)	(H)	(°)	(°C)		(mm)
HB-A200-H148F-UFO	85~265	200	28000	>0.9	6000	50,000	120	-20~45	65	400*196

- LED, power (W), driver can be customized according to customer needs
- Our Standard Color Rendering (CRI) > 70 and Total harmonic index THD < 15%, According to customer requirements can produce a lower THD < 10%
- This type of certification is issued by a government-approved laboratory for Safety certification, Fire testing, Restriction of Hazardous Substances(RoHS), Photobiological safety of lamps and lamp systems.( an Exemption Group) and other test certifications to ensure product quality

- LED、功率(W)、驅動可根據客戶需求定制
- 此型號標準之顯色指數(CRI)>70, 總諧波指數THD<15%, 可按客戶需要生產低總諧波指數<10%
- 此型號認證由可實驗室發出之安全認證消防測試, 環保物料(RoHS), 光生物安全為Exemption Group及其它測試, 保證客戶使用更安心滿意

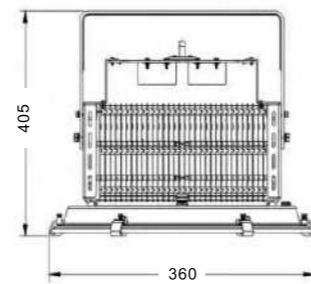
# LED High Bay Light

## Series Type: HB-IP-O

### Features 產品特點 >>

- Material: Aluminum , PC
- Special heat dissipation structure design
- Using high performance Philips SMD LED(100lm/W)
- Lightweight and easy to install
- Suitable for indoor and outdoor lighting applications
- Certificate: CE RoHS

- 外殼材料: 鋁, PC
- 特殊的散熱結構設計
- 採用高性能飛利浦 SMD LED (100lm / W)
- 質量輕, 方便安裝
- 適用於室內和室外照明應用
- 證書: CE RoHS



Unit : mm

### Specification 產品規格 >>

Model 型號	Voltage 電壓	Power 功率	Lumen 流明	Power Factor 功率因數	Colour Temp 色溫	Life Time 壽命	Beam Angle 光束角	Working Temperature 工作溫度	IP Rating IP等級	Size 尺寸
(V)	(W)	(lm)	(PF)	(K)	(H)	(°)	(°C)		(mm)	
HB-IP500-O108F	85~265	100~500	10000~50000	>0.9	2700~6500	50,000	250	-20~45	65	360*405

- LED, power (W), driver can be customized according to customer needs
- Our Standard Color Rendering (CRI) > 70 and Total harmonic index THD < 15%, According to customer requirements can produce a lower THD < 10%
- This type of certification is issued by a government-approved laboratory for Safety certification, Fire testing, Restriction of Hazardous Substances(RoHS), Photobiological safety of lamps and lamp systems.( an Exemption Group) and other test certifications to ensure product quality

- LED、功率(W)、驅動可根據客戶需求定制
- 此型號標準之顯色指數(CRI)>70, 總諧波指數THD<15%, 可按客戶需要生產低總諧波指數<10%
- 此型號認證由可實驗室發出之安全認證消防測試, 環保物料(RoHS), 光生物安全為Exemption Group及其它測試, 保證客戶使用更安心滿意

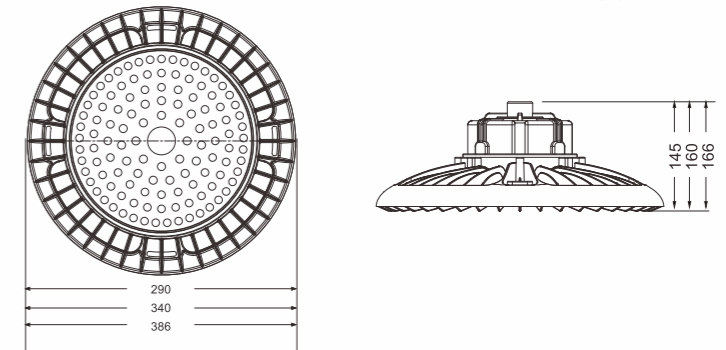
# LED High Bay Light

## Series Type: HB-A-X3

### Features 產品特點 >>

- Material: Die-casting aluminum body
- Special heat dissipation structure design
- Using high performance Philips SMD LED(130lm/W)
- Lightweight and easy to install
- Suitable for indoor and outdoor lighting applications
- Certificate: CE RoHS

- 外殼材料: 壓鑄鋁機身
- 特殊的散熱結構設計
- 採用高性能飛利浦 SMD LED (130lm / W)
- 質量輕, 方便安裝
- 適用於室內和室外照明應用
- 證書: CE RoHS



Unit : mm

### Specification 產品規格 >>

Model 型號	Voltage 電壓	Power 功率	Lumen 流明	Power Factor 功率因數	Colour Temp 色溫	Life Time 壽命	Beam Angle 光束角	Working Temperature 工作溫度	IP Rating IP等級	Size 尺寸
(V)	(W)	(lm)	(PF)	(K)	(H)	(°)	(°C)		(mm)	
HB-A100-X310	85~265	100	13000	>0.9	2700~6500	50,000	120	-30~50	65	290*290*145
HB-A150-X315	85~265	150	19500	>0.9	2700~6500	50,000	120	-30~50	65	340*340*160
HB-A200-X320	85~265	200	26000	>0.9	2700~6500	50,000	120	-30~50	65	386*386*166

- LED, power (W), driver can be customized according to customer needs
- Our Standard Color Rendering (CRI) > 70 and Total harmonic index THD < 15%, According to customer requirements can produce a lower THD < 10%
- This type of certification is issued by a government-approved laboratory for Safety certification, Fire testing, Restriction of Hazardous Substances(RoHS), Photobiological safety of lamps and lamp systems.( an Exemption Group) and other test certifications to ensure product quality

- LED、功率(W)、驅動可根據客戶需求定制
- 此型號標準之顯色指數(CRI)>70, 總諧波指數THD<15%, 可按客戶需要生產低總諧波指數<10%
- 此型號認證由可實驗室發出之安全認證消防測試, 環保物料(RoHS), 光生物安全為Exemption Group及其它測試, 保證客戶使用更安心滿意



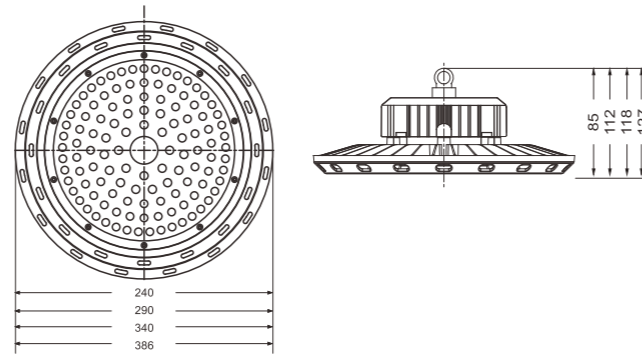
# LED High Bay Light

## Series Type: HB-A-X6

### Features 產品特點 >>

- Material: Die-casting aluminum body
- Special heat dissipation structure design
- Using high performance Philips SMD LED(140lm/W)
- Lightweight and easy to install
- Suitable for indoor and outdoor lighting applications
- Certificate: CE RoHS

- 外殼材料: 壓鑄鋁機身
- 特殊的散熱結構設計
- 採用高性能飛利浦 SMD LED (140lm / W)
- 質量輕, 方便安裝
- 適用於室內和室外照明應用
- 證書: CE RoHS



Unit : mm

### Specification 產品規格 >>

Model 型號	Voltage 電壓 (V)	Power 功率 (W)	Lumen 流明 (lm)	Power Factor 功率因數 (PF)	Colour Temp 色溫 (K)	Life Time 壽命 (H)	Beam Angle 光束角 (°)	Working Temperature 工作溫度 (°C)	IP Rating IP等級	Size 尺寸 (mm)
FL-A50-X65	100~240	50	7000	>0.9	2700-6500	50,000	120	-30~50	65	240*85
FL-A100-X610	100~240	100	14000	>0.9	2700-6500	50,000	120	-30~50	65	290*112
FL-A150-X615	100~240	150	21000	>0.9	2700-6500	50,000	120	-30~50	65	340*118
FL-A200-X620	100~240	200	28000	>0.9	2700-6500	50,000	120	-30~50	65	386*127

- LED, power (W), driver can be customized according to customer needs
- Our Standard Color Rendering (CRI) > 70 and Total harmonic index THD < 15%, According to customer requirements can produce a lower THD < 10%
- This type of certification is issued by a government-approved laboratory for Safety certification, Fire testing, Restriction of Hazardous Substances(RoHS), Photobiological safety of lamps and lamp systems.( an Exemption Group) and other test certifications to ensure product quality

- LED、功率(W)、驅動可根據客戶需求定制
- 此型號標準之顯色指數(CRI)>70, 總諧波指數THD<15%, 可按客戶需要生產低總諧波指數<10%
- 此型號認證由可實驗室發出之安全認證消防測試, 環保物料(RoHS), 光生物安全為Exemption Group及其它測試, 保證客戶使用更安心滿意

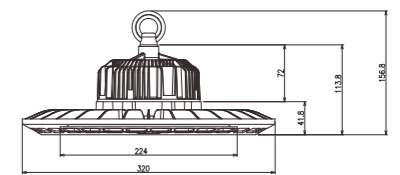
# LED High Bay Light

## Series Type: HB-A-X9

### Features 產品特點 >>

- Material: Die-casting aluminum body
- Special heat dissipation structure design
- Using high performance Philips SMD LED(140lm/W)
- Lightweight and easy to install
- Suitable for indoor and outdoor lighting applications
- Certificate: CE RoHS

- 外殼材料: 壓鑄鋁機身
- 特殊的散熱結構設計
- 採用高性能飛利浦 SMD LED (140lm / W)
- 質量輕, 方便安裝
- 適用於室內和室外照明應用
- 證書: CE RoHS



Unit : mm

### Specification 產品規格 >>

Model 型號	Voltage 電壓 (V)	Power 功率 (W)	Lumen 流明 (lm)	Power Factor 功率因數 (PF)	Colour Temp 色溫 (K)	Life Time 壽命 (H)	Beam Angle 光束角 (°)	Working Temperature 工作溫度 (°C)	IP Rating IP等級	Size 尺寸 (mm)
HB-A50-X95	100~240	50	7000	>0.9	2700-6500	50,000	120	-30~50	65	255*112
HB-A100-X910	100~240	100	14000	>0.9	2700-6500	50,000	120	-30~50	65	320*112
HB-A150-X915	100~240	150	21000	>0.9	2700-6500	50,000	120	-30~50	65	360*112
HB-A200-X920	100~240	200	28000	>0.9	2700-6500	50,000	120	-30~50	65	400*112

- LED, power (W), driver can be customized according to customer needs
- Our Standard Color Rendering (CRI) > 70 and Total harmonic index THD < 15%, According to customer requirements can produce a lower THD < 10%
- This type of certification is issued by a government-approved laboratory for Safety certification, Fire testing, Restriction of Hazardous Substances(RoHS), Photobiological safety of lamps and lamp systems.( an Exemption Group) and other test certifications to ensure product quality

- LED、功率(W)、驅動可根據客戶需求定制
- 此型號標準之顯色指數(CRI)>70, 總諧波指數THD<15%, 可按客戶需要生產低總諧波指數<10%
- 此型號認證由可實驗室發出之安全認證消防測試, 環保物料(RoHS), 光生物安全為Exemption Group及其它測試, 保證客戶使用更安心滿意

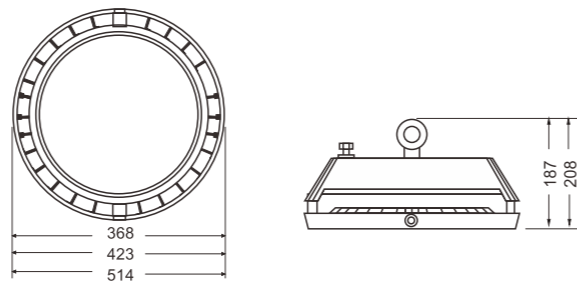
# LED High Bay Light

## Series Type: HB-A-F

### Features 產品特點 >>

- Material: Die-casting aluminum body
- Special heat dissipation structure design
- Using high performance Philips SMD LED(130lm/W)
- Lightweight and easy to install
- Suitable for indoor and outdoor lighting applications
- Certificate: CE RoHS

- 外殼材料: 壓鑄鋁機身
- 特殊的散熱結構設計
- 採用高性能飛利浦 SMD LED (130lm / W)
- 質量輕, 方便安裝
- 適用於室內和室外照明應用
- 證書: CE RoHS



Unit : mm

### Specification 產品規格 >>

Model 型號	Voltage 電壓 (V)	Power 功率 (W)	Lumen 流明 (lm)	Power Factor 功率因數 (PF)	Colour Temp 色溫 (K)	Life Time 壽命 (H)	Beam Angle 光束角 (°)	Working Temperature 工作溫度 (°C)	IP Rating IP等級	Size 尺寸 (mm)
HB-A100-F110	100~240	100	13000	>0.9	2700-6500	50,000	120	-25~50	65	368*368*187
HB-A200-F120	100~240	200	26000	>0.9	2700-6500	50,000	120	-25~50	65	423*423*187
HB-A300-F130	100~240	300	39000	>0.9	2700-6500	50,000	120	-25~50	65	514*514*208

- LED, power (W), driver can be customized according to customer needs
- Our Standard Color Rendering (CRI) > 70 and Total harmonic index THD < 15%, According to customer requirements can produce a lower THD < 10%
- This type of certification is issued by a government-approved laboratory for Safety certification, Fire testing, Restriction of Hazardous Substances(RoHS), Photobiological safety of lamps and lamp systems.( an Exemption Group) and other test certifications to ensure product quality

- LED、功率(W)、驅動可根據客戶需求定制
- 此型號標準之顯色指數(CRI)>70, 總諧波指數THD<15%, 可按客戶需要生產低總諧波指數<10%
- 此型號認證由可實驗室發出之安全認證消防測試, 環保物料(RoHS), 光生物安全為Exemption Group及其它測試, 保證客戶使用更安心滿意

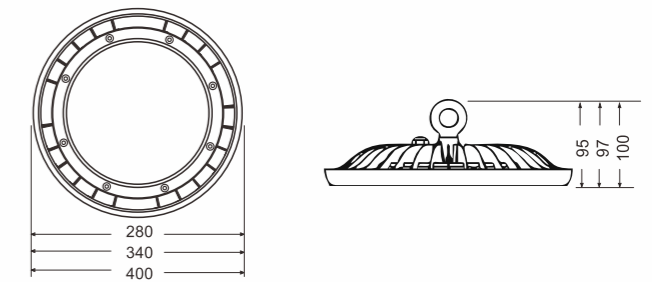
# LED High Bay Light

## Series Type: HB-A-O

### Features 產品特點 >>

- Material: Die-casting aluminum body
- Special heat dissipation structure design
- Using high performance Philips SMD LED(100lm/W)
- Lightweight and easy to install
- Suitable for indoor and outdoor lighting applications
- Certificate: CE RoHS

- 外殼材料: 壓鑄鋁機身
- 特殊的散熱結構設計
- 採用高性能飛利浦 SMD LED (100lm / W)
- 質量輕, 方便安裝
- 適用於室內和室外照明應用
- 證書: CE RoHS



Unit : mm

### Specification 產品規格 >>

Model 型號	Voltage 電壓 (V)	Power 功率 (W)	Lumen 流明 (lm)	Power Factor 功率因數 (PF)	Colour Temp 色溫 (K)	Life Time 壽命 (H)	Beam Angle 光束角 (°)	Working Temperature 工作溫度 (°C)	IP Rating IP等級	Size 尺寸 (mm)
HB-A100-O110	200~240	100	10000	>0.9	2700-6500	50,000	120	-30~50	65	280*280*95
HB-A150-O115	200~240	150	15000	>0.9	2700-6500	50,000	120	-30~50	65	340*340*97
HB-A200-O120	200~240	200	20000	>0.9	2700-6500	50,000	120	-30~50	65	400*400*100

- LED, power (W), driver can be customized according to customer needs
- Our Standard Color Rendering (CRI) > 70 and Total harmonic index THD < 15%, According to customer requirements can produce a lower THD < 10%
- This type of certification is issued by a government-approved laboratory for Safety certification, Fire testing, Restriction of Hazardous Substances(RoHS), Photobiological safety of lamps and lamp systems.( an Exemption Group) and other test certifications to ensure product quality

- LED、功率(W)、驅動可根據客戶需求定制
- 此型號標準之顯色指數(CRI)>70, 總諧波指數THD<15%, 可按客戶需要生產低總諧波指數<10%
- 此型號認證由可實驗室發出之安全認證消防測試, 環保物料(RoHS), 光生物安全為Exemption Group及其它測試, 保證客戶使用更安心滿意

# LED High Bay Light

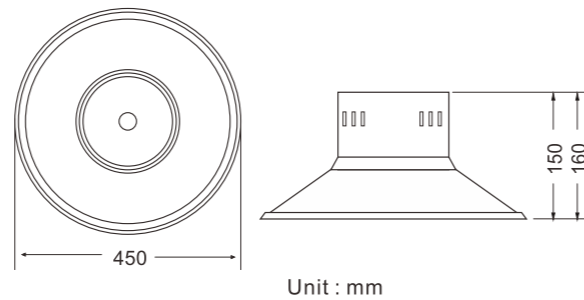
## Series Type: HB-A-PG

### Features 產品特點 >>

- This indoor led grow light emits most of light spectrum which can be absorbed by plants effectively
- Applicable to all stages of plant growth
- Vertical downward hanging design, with hanging ropes to control light emission distance for different plant heights
- Suitable to use in greenhouses, plant factory, greenhouse farming, flower arming, indoor gardens, and water soluble breeding

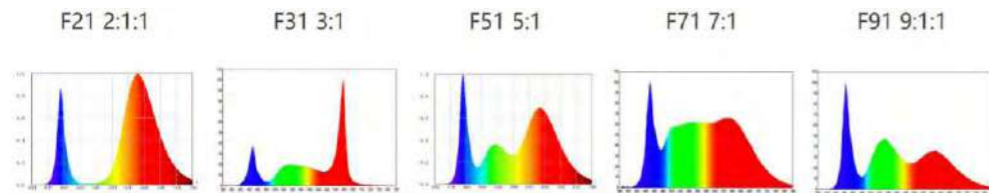


- 這種室內LED生長燈發出大部分光譜,可被植物有效吸收
- 適用於植物生長的所有階段
- 垂直向下懸掛設計,帶吊繩,可控制不同廠房高度的發光距離
- 離
- 適用於溫室、植物工廠、溫室農業、護花、室內花園和水溶性
- 養殖



Unit : mm

### Selectable spectrum



### Specification 產品規格 >>

Model 型號	Voltage 電壓 (V)	Power 功率 (W)	Lumen 流明 (lm/W)	Power Factor 功率因數 (PF)	Colour Temp 色溫 (K)	Life Time 壽命 (H)	Beam Angle 光束角 (°)	Working Temperature 工作溫度 (°C)	IP Rating IP等級	Size 尺寸 (mm)
HB-A50-PG	85~265	50	80	>0.9	Full Spectrum	50,000	120	-25~50	65	Ø450*150
HB-A1000-PG	85~265	100	80	>0.9	Full Spectrum	50,000	120	-25~50	65	Ø450*160
HB-A150-PG	85~265	150	80	>0.9	Full Spectrum	50,000	120	-25~50	65	Ø450*160

- LED, power (W), driver can be customized according to customer needs
- Our Standard Color Rendering (CRI) > 70 and Total harmonic index THD < 15%, According to customer requirements can produce a lower THD < 10%
- This type of certification is issued by a government-approved laboratory for Safety certification, Fire testing, Restriction of Hazardous Substances(RoHS), Photobiological safety of lamps and lamp systems.( an Exemption Group) and other test certifications to ensure product quality

- LED、功率(W)、驅動可根據客戶需求定制
- 此型號標準之顯色指數(CRI)>70,總諧波指數THD<15%,可按客戶需要生產低總諧波指數<10%
- 此型號認證由可實驗室發出之安全認證消防測試,環保物料(RoHS),光生物安全為Exemption Group及其它測試,保證客戶使用更安心滿意

# LED High Bay Light

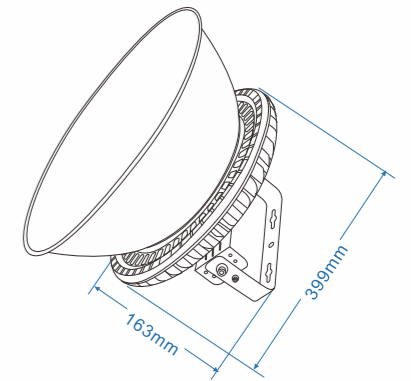
## Series Type: HB-A240

### Features 產品特點 >>

- High lumen LED for best illuminance
- LED brand : Lumileds 3030
- Good heatsink for heat dissipation
- Easy to install and remove
- Driver brand : Meanwell
- 0-10V LED dimmable driver



- 高亮度LED實現最佳照明
- LED品牌:Lumileds 3030
- 散熱良好
- 易於安裝和拆卸
- 驅動品牌:Meanwell
- 0-10V LED可調光驅動器



Unit : mm

### Specification 產品規格 >>

Model 型號	Voltage 電壓 (V)	Power 功率 (W)	Lumen 流明 (lm/W)	Power Factor 功率因數 (PF)	Colour Temp 色溫 (K)	Life Time 壽命 (H)	Beam Angle 光束角 (°)	Working Temperature 工作溫度 (°C)	IP Rating IP等級	Size 尺寸 (mm)
HB-A240	100~277	240	150	>0.9	4000/5000/6000	75,000	30/60/90	-25~50	65	Ø399*163

- LED, power (W), driver can be customized according to customer needs
- Our Standard Color Rendering (CRI) > 70 and Total harmonic index THD < 15%, According to customer requirements can produce a lower THD < 10%
- This type of certification is issued by a government-approved laboratory for Safety certification, Fire testing, Restriction of Hazardous Substances(RoHS), Photobiological safety of lamps and lamp systems.( an Exemption Group) and other test certifications to ensure product quality

- LED、功率(W)、驅動可根據客戶需求定制
- 此型號標準之顯色指數(CRI)>70,總諧波指數THD<15%,可按客戶需要生產低總諧波指數<10%
- 此型號認證由可實驗室發出之安全認證消防測試,環保物料(RoHS),光生物安全為Exemption Group及其它測試,保證客戶使用更安心滿意

# Explosion Proof Light

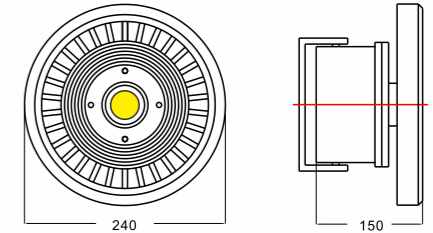
Series Type: EP-GMD50-H

## Features 產品特點 >>

- Material: Glass with line pattern
- Special heat dissipation structure design
- Using the famous Bridgelux COB LED (130lm/W)
- Ex-d-IIC-T6 explosion-proof grade and WF2 corrosion resistance grade
- Highly resistant to vibration and shock
- Suitable for indoor and outdoor lighting applications
- Certificate: CE RoHS



- 外殼材料：線條圖案的玻璃
- 特殊的散熱結構設計
- 採用著名的Bridgelux COB LED (130lm / W)
- Ex-d-IIC-T6防爆等級和WF2耐腐蝕等級
- 高度抗振動和衝擊
- 適用於室內和室外照明應用
- 證書：CE RoHS



Unit : mm

## Specification 產品規格 >>

Model 型號	Voltage 電壓	Power 功率	Lumen 流明	Power Factor 功率因數	Colour Temp 色溫	Life Time 壽命	Beam Angle 光束角	Working Temperature 工作溫度	IP Rating IP等級	Size 尺寸
	(V)	(W)	(lm)	(PF)	(K)	(H)	(°)	(°C)		(mm)
EP-GMD50-H138E	85-265	50	6500	>0.9	2700-6500	50,000	120	-20~45	66	240*120

- LED, power (W), driver can be customized according to customer needs
- Our Standard Color Rendering (CRI) > 70 and Total harmonic index THD < 15%, According to customer requirements can produce a lower THD < 10%
- This type of certification is issued by a government-approved laboratory for Safety certification, Fire testing, Restriction of Hazardous Substances(RoHS), Photobiological safety of lamps and lamp systems.( an Exemption Group) and other test certifications to ensure product quality

- LED、功率(W)、驅動可根據客戶需求定制
- 此型號標準之顯色指數(CRI)>70,總諧波指數THD<15%,可按客戶需要生產低總諧波指數<10%
- 此型號認證由可實驗室發出之安全認證消防測試,環保物料(RoHS),光生物安全為Exemption Group及其它測試,保證客戶使用更安心滿意

# Explosion Proof Light

防爆燈

# Explosion Proof Light

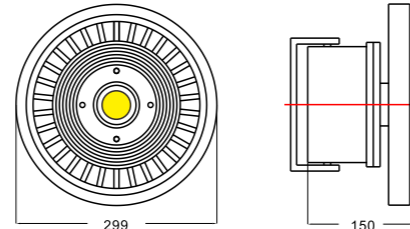
Series Type: EP-GMD100-H

## Features 產品特點 >>

- Material: Glass with line pattern
- Special heat dissipation structure design
- Using the famous Bridgelux COB LED (130lm/W)
- Ex-d-IIC-T6 explosion-proof grade and WF2 corrosion resistance grade
- Highly resistant to vibration and shock
- Suitable for indoor and outdoor lighting applications
- Certificate: CE RoHS



- 外殼材料: 線條圖案的玻璃
- 特殊的散熱結構設計
- 採用著名的Bridgelux COB LED (130lm/W)
- Ex-d-IIC-T6防爆等級和WF2耐腐蝕等級
- 高度抗振動和衝擊
- 適用於室內和室外照明應用
- 證書: CE RoHS



Unit : mm

## Specification 產品規格 >>

Model 型號	Voltage 電壓	Power 功率	Lumen 流明	Power Factor 功率因數	Colour Temp 色溫	Life Time 壽命	Beam Angle 光束角	Working Temperature 工作溫度	IP Rating IP等級	Size 尺寸
	(V)	(W)	(lm)	(PF)	(K)	(H)	(°)	(°C)		(mm)
EP-GMD100-H138E	85~265	100	13000	>0.9	2700~6500	50,000	120	-20~45	66	299*150

- LED, power (W), driver can be customized according to customer needs
- Our Standard Color Rendering (CRI) > 70 and Total harmonic index THD < 15%, According to customer requirements can produce a lower THD < 10%
- This type of certification is issued by a government-approved laboratory for Safety certification, Fire testing, Restriction of Hazardous Substances (RoHS), Photobiological safety of lamps and lamp systems. (an Exemption Group) and other test certifications to ensure product quality

- LED、功率 (W)、驅動可根據客戶需求定制
- 此型號標準之顯色指數 (CRI) > 70, 總諧波指數 THD < 15%, 可按客戶需要生產低總諧波指數 < 10%
- 此型號認證由可實驗室發出之安全認證消防測試, 環保物料 (RoHS), 光生物安全為 Exemption Group 及其它測試, 保證客戶使用更安心滿意



## LED Wall Washer Light

LED 洗牆燈

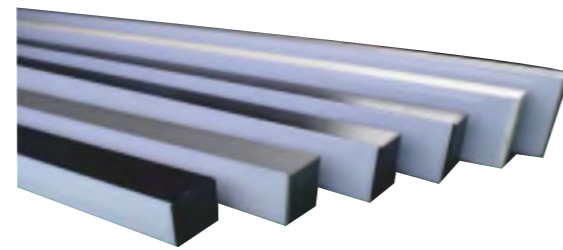


# LED Line Lights

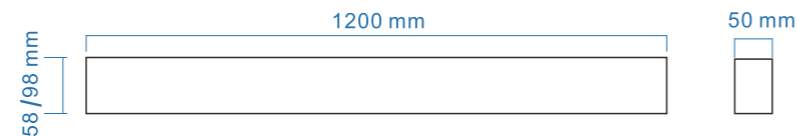
## Series Type: IPIL-58

### Features 產品特點 >>

- Material: Glass with line pattern
- Special heat dissipation structure design
- Using the famous Bridgelux COB LED (130lm/W)
- Ex-d-IIC-T6 explosion-proof grade and WF2 corrosion resistance grade
- Highly resistant to vibration and shock
- Suitable for indoor and outdoor lighting applications
- Certificate: CE RoHS



- 外殼材料: 線條圖案的玻璃
- 特殊的散熱結構設計
- 採用著名的Bridgelux COB LED (130lm/W)
- Ex-d-IIC-T6防爆等級和WF2耐腐蝕等級
- 高度抗振動和衝擊
- 適用於室內和室外照明應用
- 證書: CE RoHS



Unit : mm

### Specification 產品規格 >>

Model 型號	Voltage 電壓 (V)	Power 功率 (W)	Lumen 流明 (lm)	Power Factor 功率因數 (PF)	Colour Temp 色溫 (K)	Life Time 壽命 (H)	Beam Angle 光束角 (°)	Working Temperature 工作溫度 (°C)	IP Rating IP等級	Size 尺寸 (mm)
IPIL-58	85~265	36	3200	>0.9	3000/4000/6000	50,000	120	-20~45	20	58*1200*50
IPIL-98	85~265	48	4300	>0.9	3000/4000/6000	50,000	120	-20~45	20	98*1200*50

- LED, power (W), driver can be customized according to customer needs
- Our Standard Color Rendering (CRI) > 70 and Total harmonic index THD < 15%, According to customer requirements can produce a lower THD < 10%
- This type of certification is issued by a government-approved laboratory for Safety certification, Fire testing, Restriction of Hazardous Substances (RoHS), Photobiological safety of lamps and lamp systems. (an Exemption Group) and other test certifications to ensure product quality

- LED、功率 (W)、驅動可根據客戶需求定制
- 此型號標準之顯色指數 (CRI) > 70, 總諧波指數 THD < 15%, 可按客戶需要生產低總諧波指數 < 10%
- 此型號認證由可實驗室發出之安全認證消防測試, 環保物料 (RoHS), 光生物安全為 Exemption Group 及其它測試, 保證客戶使用更安心滿意

# Linear Lights (Suspend type)

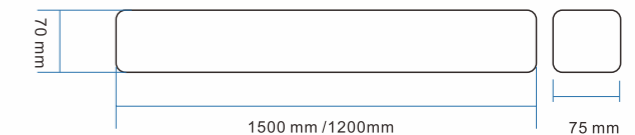
## Series Type: IPIL-S

### Features 產品特點 >>

- Simple and modern design.
- Linear lights can be combined for a new pattern according to room structure.
- Made of high-quality aluminium & PC.
- With internal driver and wirings for installation.



- 簡單而現代的設計
- 根據房間結構, 線性燈光可以組合成新的圖案
- 由優質鋁和PC製成
- 帶內部驅動器和接線, 便於安裝



Unit : mm

### Specification 產品規格 >>

Model 型號	Voltage 電壓 (V)	Power 功率 (W)	Lumen 流明 (lm)	Power Factor 功率因數 (PF)	Colour Temp 色溫 (K)	Life Time 壽命 (H)	Beam Angle 光束角 (°)	Working Temperature 工作溫度 (°C)	IP Rating IP等級	Size 尺寸 (mm)
IPIL-1500-S	220-240	36	2880	≥ 0.9	3000	50,000	120	-20~45	20	1500*50*70
IPIL-1200-S	220-240	25	2000	≥ 0.9	3000	50,000	120	-20~45	20	1200*50*70

- LED, power (W), driver can be customized according to customer needs
- Our Standard Color Rendering (CRI) > 70 and Total harmonic index THD < 15%, According to customer requirements can produce a lower THD < 10%
- This type of certification is issued by a government-approved laboratory for Safety certification, Fire testing, Restriction of Hazardous Substances (RoHS), Photobiological safety of lamps and lamp systems. (an Exemption Group) and other test certifications to ensure product quality

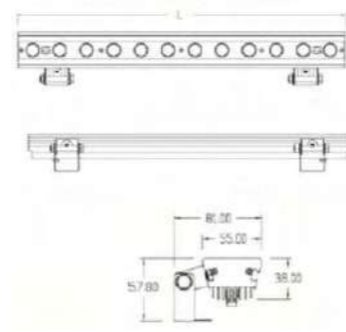
- LED、功率 (W)、驅動可根據客戶需求定制
- 此型號標準之顯色指數 (CRI) > 70, 總諧波指數 THD < 15%, 可按客戶需要生產低總諧波指數 < 10%
- 此型號認證由可實驗室發出之安全認證消防測試, 環保物料 (RoHS), 光生物安全為 Exemption Group 及其它測試, 保證客戶使用更安心滿意

# LED Wall Washer Light

Series Type: WWL-5538

## Features 產品特點 >>

- The use of LED high efficiency light source and high efficiency drive power supply, more energy saving than traditional light source
- Can achieve often bright, colorful and changeable effect.
- Reliable heat dissipation design effectively controls the temperature rise of the LED chip which ensures the life of the lamp, and the life of the whole lamp reach 50000 hours.
- Green environmental protection, no lead, mercury and other heavy metal pollutants, no pollution to the environment, no harm to the human body.



Unit : mm

- 採用LED高效光源和高效驅動電源,比傳統光源更節能
- 可以達到經常明亮,多彩和多變的效果。
- 可靠的散熱設計有效地控制了LED芯片的溫度上升,確保了燈泡的使用壽命,整個燈泡的使用壽命達到50000小時。
- 綠色環保,無鉛,汞等重金屬污染物,對環境無污染,對人體無害。

## Specification 產品規格 >>

Model 型號	Voltage 電壓	Power 功率	Lumen 流明	Power Factor 功率因數	Colour Temp 色溫	Life Time 壽命	Beam Angle 光束角	Working Temperature 工作溫度	IP Rating IP等級	Size 尺寸
	(V)	(W)	(lm)	(PF)	(K)	(H)	(°)	(°C)		(mm)
WWL-5538	85~265	30	3000	>0.9	3000	50,000	60	-20~45	65	1000*55*38

- LED, power (W), driver can be customized according to customer needs
- Our Standard Color Rendering (CRI) > 70 and Total harmonic index THD < 15%, According to customer requirements can produce a lower THD < 10%
- This type of certification is issued by a government-approved laboratory for Safety certification, Fire testing, Restriction of Hazardous Substances(RoHS), Photobiological safety of lamps and lamp systems.( an Exemption Group) and other test certifications to ensure product quality

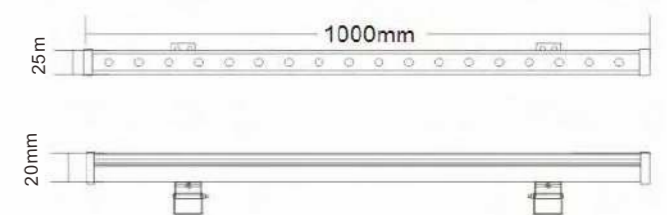
- LED、功率(W)、驅動可根據客戶需求定制
- 此型號標準之顯色指數(CRI)>70,總諧波指數THD<15%,可按客戶需要生產低總諧波指數<10%
- 此型號認證由可實驗室發出之安全認證消防測試,環保物料(RoHS),光生物安全為Exemption Group及其它測試,保證客戶使用更安心滿意

# LED Wall Washer Light

Series Type: WWL-AL -S

## Features 產品特點 >>

- The use of LED high efficiency light source and high efficiency drive power supply, more energy saving than traditional light source
- Can achieve often bright, colorful and changeable effect.
- Reliable heat dissipation design effectively controls the temperature rise of the LED chip which ensures the life of the lamp, and the life of the whole lamp reach 50000 hours.
- Green environmental protection, no lead, mercury and other heavy metal pollutants, no pollution to the environment, no harm to the human body.



Unit : mm

- 採用LED高效光源和高效驅動電源,比傳統光源更節能
- 可以達到經常明亮,多彩和多變的效果。
- 可靠的散熱設計有效地控制了LED芯片的溫度上升,確保了燈泡的使用壽命,整個燈泡的使用壽命達到50000小時。
- 綠色環保,無鉛,汞等重金屬污染物,對環境無污染,對人體無害。

## Specification 產品規格 >>

Model 型號	Voltage 電壓	Power 功率	Lumen 流明	Power Factor 功率因數	Colour Temp 色溫	Life Time 壽命	Beam Angle 光束角	Working Temperature 工作溫度	IP Rating IP等級	Size 尺寸
	(V)	(W)	(lm)	(PF)	(K)	(H)	(°)	(°C)		(mm)
WWL-AL2520-S1000-12	85~265	12	1200	>0.9	2700~6500	50,000	60	-20~45	66	1000*25*20

- LED, power (W), driver can be customized according to customer needs
- Our Standard Color Rendering (CRI) > 70 and Total harmonic index THD < 15%, According to customer requirements can produce a lower THD < 10%
- This type of certification is issued by a government-approved laboratory for Safety certification, Fire testing, Restriction of Hazardous Substances(RoHS), Photobiological safety of lamps and lamp systems.( an Exemption Group) and other test certifications to ensure product quality

- LED、功率(W)、驅動可根據客戶需求定制
- 此型號標準之顯色指數(CRI)>70,總諧波指數THD<15%,可按客戶需要生產低總諧波指數<10%
- 此型號認證由可實驗室發出之安全認證消防測試,環保物料(RoHS),光生物安全為Exemption Group及其它測試,保證客戶使用更安心滿意

# LED Plant Growth

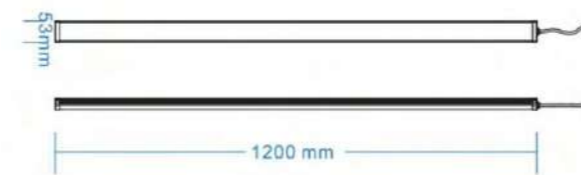
## Series Type: GL-A50-PG

### Features 產品特點 >>

- This indoor led grow light emits most of light spectrum which can be absorbed by plants effectively
- Applicable to all stages of plant growth
- Vertical downward hanging design , with hanging ropes to control light emission distance for different plant heights
- Suitable to use in greenhouses , plant factory , greenhouse farming , flower farming , indoor gardens , and water soluble breeding



- 採用LED高效光源和高效驅動電源,比傳統光源更節能
- 可以達到經常明亮,多彩和多變的效果。
- 可靠的散熱設計有效地控制了LED芯片的溫度上升,確保了燈泡的使用壽命,整個燈泡的使用壽命達到50000小時。
- 綠色環保,無鉛,汞等重金屬污染物,對環境無污染,對人體無害。



Unit : mm

### Specification 產品規格 >>

Model 型號	Voltage 電壓 (V)	Power 功率 (W)	Power Factor 功率因數 (PF)	Colour Temp 色溫	Life Time 壽命 (H)	Beam Angle 光束角 (°)	Working Temperature 工作溫度 (°C)	Ip Rating IP等級	Size 尺寸 (mm)
GL-A50-PG	100~240	50	>0.9	Blue(14%) Green(19%) Red(67%)	50,000	240	-20~45	20	1200*53*29.2

- LED, power (W), driver can be customized according to customer needs
- Our Standard Color Rendering (CRI) > 70 and Total harmonic index THD < 15%, According to customer requirements can produce a lower THD < 10%
- This type of certification is issued by a government-approved laboratory for Safety certification, Fire testing, Restriction of Hazardous Substances(RoHS), Photobiological safety of lamps and lamp systems.( an Exemption Group) and other test certifications to ensure product quality

- LED、功率(W)、驅動可根據客戶需求定制
- 此型號標準之顯色指數(CRI)>70,總諧波指數THD<15%,可按客戶需要生產低總諧波指數<10%
- 此型號認證由可實驗室發出之安全認證消防測試,環保物料(RoHS),光生物安全為Exemption Group及其它測試,保證客戶使用更安心滿意

# LED Wall Washer Light

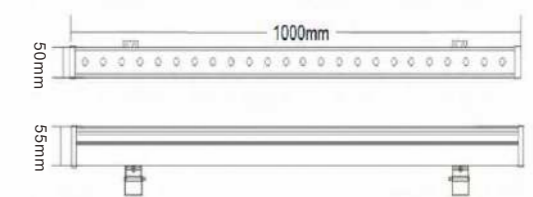
## Series Type: WWL-AL

### Features 產品特點 >>

- Pieces of lamps and lanterns shell adopts the high quality aluminum, the surface anodic oxidation treatment
- Lamp body beautiful and delicate, excellent heat dissipation performance:
- Lamp body adopts toughened glass and silicon seal, internal epoxy resin glue, to ensure superior waterproof performance of lamps and lanterns
- Low energy efficient import light source, high luminous flux and color rendering, service life can reach 50000 hours
- Lamps and lanterns of mixer adopt PMMA optical lens, optional Angle is 15/ 25/ 60/120
- Scope of application: buildings billboards,landscaping,buildings,bars, dance halls,etc Wash the wall lighting



- 燈具外殼採用優質鋁,表面陽極氧化處理
- 燈體美觀細膩,散熱性能優異:燈體採用鋼化玻璃和矽密封,內部環氧樹脂膠,確保燈具有卓越的防水效果
- 低能效進口光源,高光通量和顯色性,使用壽命可達50000小時
- 燈具採用PMMA光學透鏡,可選角度15/25/60/120
- 適用範圍:樓宇看板、園林綠化、樓宇、酒吧、舞廳等洗牆照明



Unit : mm

### Specification 產品規格 >>

Model 型號	Voltage 電壓 (V)	Power 功率 (W)	Lumen 流明 (lm)	Power Factor 功率因數 (PF)	Colour Temp 色溫 (K)	Life Time 壽命 (H)	Beam Angle 光束角 (°)	Working Temperature 工作溫度 (°C)	IP Rating IP等級	Size 尺寸 (mm)
WWL-AL5050-24	Dc24	24	2400	>0.9	3000	50,000	15/25/60/120	-20~45	65	1000*50*55

- LED, power (W), driver can be customized according to customer needs
- Our Standard Color Rendering (CRI) > 70 and Total harmonic index THD < 15%, According to customer requirements can produce a lower THD < 10%
- This type of certification is issued by a government-approved laboratory for Safety certification, Fire testing, Restriction of Hazardous Substances(RoHS), Photobiological safety of lamps and lamp systems.( an Exemption Group) and other test certifications to ensure product quality

- LED、功率(W)、驅動可根據客戶需求定制
- 此型號標準之顯色指數(CRI)>70,總諧波指數THD<15%,可按客戶需要生產低總諧波指數<10%
- 此型號認證由可實驗室發出之安全認證消防測試,環保物料(RoHS),光生物安全為Exemption Group及其它測試,保證客戶使用更安心滿意



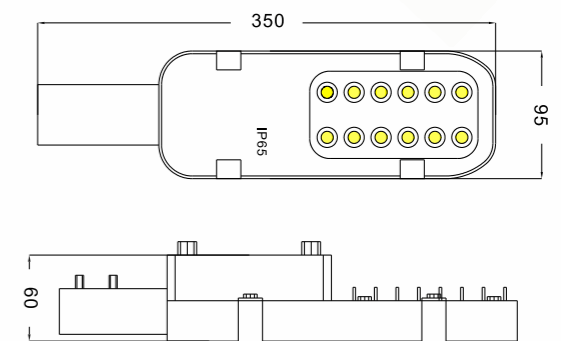
# LED Street Light

Series Type: SL-A-T

## Features 產品特點 >>

- Material: Aluminum
- Using the famous Bridgelux COB LED (110lm/W)
- Instant start, save a lot of energy
- High light efficiency, perfect replacement of traditional street lights
- Beautiful appearance, power saving and durable
- Certificate: CE RoHS

- 材質：鋁
- 採用著名的Bridgelux COB LED (110lm / W)
- 即時啟動，節省大量能源
- 高光效，完美替代传统路灯
- 外形美观，省电又耐用
- 證書：CE RoHS



Unit : mm

## Specification 產品規格 >>

Model 型號	Voltage 電壓	Power 功率	Lumen 流明	Power Factor 功率因數	Colour Temp 色溫	Life Time 壽命	Beam Angle 光束角	Working Temperature 工作溫度	IP Rating IP等級	Size 尺寸
	(V)	(W)	(lm)	(PF)	(K)	(H)	(°)	(°C)		(mm)
SL-A10-T108E	85-265	10	1000	>0.9	2700-6500	50,000	120	-20~40	65	350*95*60

- LED, power (W), driver can be customized according to customer needs
- Our Standard Color Rendering (CRI) > 70 and Total harmonic index THD < 15%, According to customer requirements can produce a lower THD < 10%
- This type of certification is issued by a government-approved laboratory for Safety certification, Fire testing, Restriction of Hazardous Substances (RoHS), Photobiological safety of lamps and lamp systems. (an Exemption Group) and other test certifications to ensure product quality

- LED、功率 (W)、驅動可根據客戶需求定制
- 此型號標準之显色指數 (CRI) > 70, 總諧波指數 THD < 15%, 可按客戶需要生產低總諧波指數 < 10%
- 此型號認證由可實驗室發出之安全認證消防測試, 環保物料 (RoHS), 光生物安全為 Exemption Group 及其它測試, 保證客戶使用更安心滿意

# LED Street Light

LED 路燈

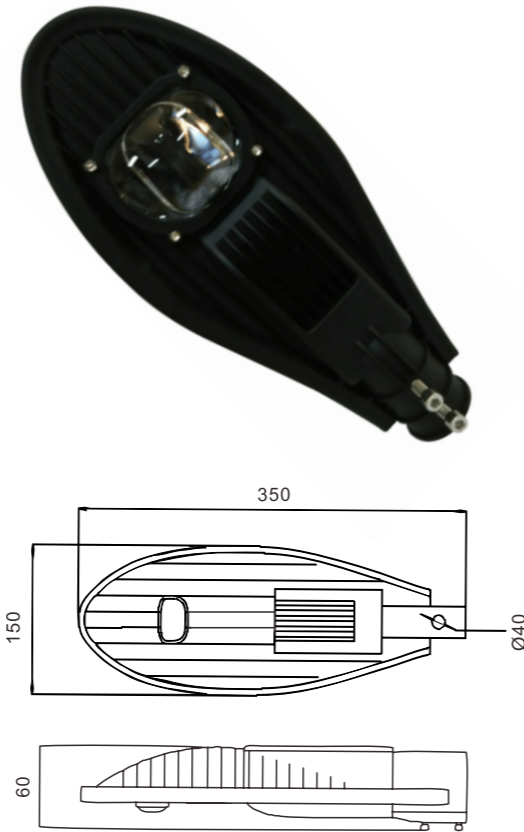
# LED Street Light

## Series Type: SL-A-H

### Features 產品特點 >>

- Material: Tempered Glass,Clear
- Using the famous Bridgelux COB LED (110lm/W)
- Instant start, save a lot of energy
- High light efficiency, perfect replacement of traditional street lights
- Beautiful appearance, power saving and durable
- Certificate: CE RoHS

- 材質: 透明鋼化玻璃
- 採用著名的Bridgelux COB LED (110lm / W)
- 即時啟動, 節省大量能源
- 高光效, 完美替代传统路灯
- 外形美观, 省电又耐用
- 證書: CE RoHS



Unit : mm

### Specification 產品規格 >>

Model 型號	Voltage 電壓 (V)	Power 功率 (W)	Lumen 流明 (lm)	Power Factor 功率因數 (PF)	Colour Temp 色溫 (K)	Life Time 壽命 (H)	Beam Angle 光束角 (°)	Working Temperature 工作溫度 (°C)	IP Rating IP等級	Size 尺寸 (mm)
SL-A10-H118E	85~265	10	1100	>0.9	2700-6500	50,000	120	-25~45	65	350*150*60
SL-A30-H118E	85~265	30	3300	>0.9	2700-6500	50,000	120	-25~45	65	400*170*70
SL-A50-H118E	85~265	50	5500	>0.9	2700-6500	50,000	120	-25~45	65	505*215*95

- LED, power (W), driver can be customized according to customer needs
- Our Standard Color Rendering (CRI) > 70 and Total harmonic index THD < 15%, According to customer requirements can produce a lower THD< 10%
- This type of certification is issued by a government-approved laboratory for Safety certification, Fire testing, Restriction of Hazardous Substances(RoHS), Photobiological safety of lamps and lamp systems.( an Exemption Group) and other test certifications to ensure product quality

- LED、功率 (W)、驅動可根據客戶需求定制
- 此型號標準之顯色指數 (CRI) > 70, 總諧波指數 THD < 15%, 可按客戶需要生產低總諧波指數 < 10%
- 此型號認證由可實驗室發出之安全認證消防測試, 環保物料 (RoHS), 光生物安全為 Exemption Group 及其它測試, 保證客戶使用更安心滿意

# LED Street Light

## Series Type: SL-A70-H

### Features 產品特點 >>

- Material: Tempered Glass,Clear
- Using the famous Bridgelux COB LED (120lm/W)
- Instant start, save a lot of energy
- High light efficiency, perfect replacement of traditional street lights
- Beautiful appearance, power saving and durable
- Certificate: CE RoHS

- 材質: 透明鋼化玻璃
- 採用著名的Bridgelux COB LED (120lm / W)
- 即時啟動, 節省大量能源
- 高光效, 完美替代传统路灯
- 外形美观, 省电又耐用
- 證書: CE RoHS



Unit : mm

### Specification 產品規格 >>

Model 型號	Voltage 電壓 (V)	Power 功率 (W)	Lumen 流明 (lm)	Power Factor 功率因數 (PF)	Colour Temp 色溫 (K)	Life Time 壽命 (H)	Beam Angle 光束角 (°)	Working Temperature 工作溫度 (°C)	IP Rating IP等級	Size 尺寸 (mm)
SL-A70-H128E	85~265	70	8400	>0.9	2700-6500	50,000	120	-20~45	65	720*280*90
SL-A100-H128E	85~265	100	12000	>0.9	2700-6500	50,000	120	-20~45	65	720*280*90

- LED, power (W), driver can be customized according to customer needs
- Our Standard Color Rendering (CRI) > 70 and Total harmonic index THD < 15%, According to customer requirements can produce a lower THD< 10%
- This type of certification is issued by a government-approved laboratory for Safety certification, Fire testing, Restriction of Hazardous Substances(RoHS), Photobiological safety of lamps and lamp systems.( an Exemption Group) and other test certifications to ensure product quality

- LED、功率 (W)、驅動可根據客戶需求定制
- 此型號標準之顯色指數 (CRI) > 70, 總諧波指數 THD < 15%, 可按客戶需要生產低總諧波指數 < 10%
- 此型號認證由可實驗室發出之安全認證消防測試, 環保物料 (RoHS), 光生物安全為 Exemption Group 及其它測試, 保證客戶使用更安心滿意

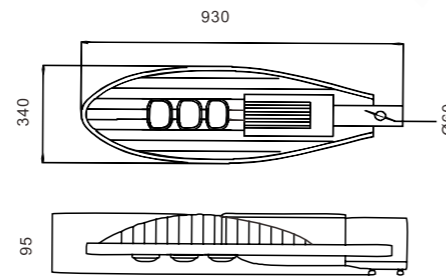
# LED Street Light

Series Type: SL-A150-H

## Features 產品特點 >>

- Material: Tempered Glass,Clear
- Using the famous Bridgelux COB LED (130lm/W)
- Instant start, save a lot of energy
- High light efficiency, perfect replacement of traditional street lights
- Beautiful appearance, power saving and durable
- Certificate: CE RoHS

- 材質: 透明鋼化玻璃
- 採用著名的Bridgelux COB LED (130lm / W)
- 即時啟動, 節省大量能源
- 高光效, 完美替代传统路灯
- 外形美观, 省电又耐用
- 證書: CE RoHS



Unit : mm

## Specification 產品規格 >>

Model 型號	Voltage 電壓	Power 功率	Lumen 流明	Power Factor 功率因數	Colour Temp 色溫	Life Time 壽命	Beam Angle 光束角	Working Temperature 工作溫度	IP Rating IP等級	Size 尺寸
	(V)	(W)	(lm)	(PF)	(K)	(H)	(°)	(°C)		(mm)
SL-A120-H138E	85~265	120	15600	>0.9	2700~6500	50,000	120	-20~45	65	930*340*95
SL-A150-H138E	85~265	150	19500	>0.9	2700~6500	50,000	120	-20~45	65	930*340*95

- LED, power (W), driver can be customized according to customer needs
- Our Standard Color Rendering (CRI) > 70 and Total harmonic index THD < 15%, According to customer requirements can produce a lower THD < 10%
- This type of certification is issued by a government-approved laboratory for Safety certification, Fire testing, Restriction of Hazardous Substances(RoHS), Photobiological safety of lamps and lamp systems.( an Exemption Group) and other test certifications to ensure product quality

- LED、功率(W)、驅動可根據客戶需求定制
- 此型號標準之顯色指數(CRI)>70, 總諧波指數THD<15%, 可按客戶需要生產低總諧波指數<10%
- 此型號認證由可實驗室發出之安全認證消防測試, 環保物料(RoHS), 光生物安全為Exemption Group及其它測試, 保證客戶使用更安心滿意

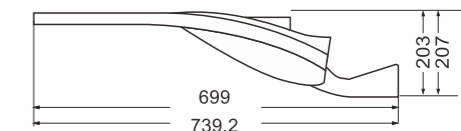
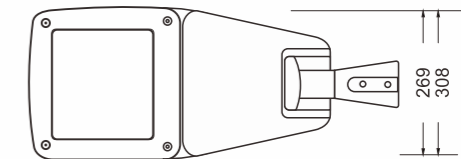
# LED Street Light

Series Type: SL-A-R05

## Features 產品特點 >>

- Material: Tempered Glass,Clear
- Using high performance Philips SMD LED(130lm/W)
- Instant start, save a lot of energy
- High light efficiency, perfect replacement of traditional street lights
- Beautiful appearance, power saving and durable
- Certificate: CE RoHS

- 材質: 壓鑄鋁機身
- 採用高性能飛利浦 SMD LED (130lm / W)
- 即時啟動, 節省大量能源
- 高光效, 完美替代传统路灯
- 外形美观, 省电又耐用
- 證書: CE RoHS



Unit : mm

## Specification 產品規格 >>

Model 型號	Voltage 電壓	Power 功率	Lumen 流明	Power Factor 功率因數	Colour Temp 色溫	Life Time 壽命	Beam Angle 光束角	Working Temperature 工作溫度	IP Rating IP等級	Size 尺寸
	(V)	(W)	(lm)	(PF)	(K)	(H)	(°)	(°C)		(mm)
SL-A100-R05-110	100~240	100	13000	>0.9	2700-6500	50,000	120	-30~50	65	699*269*203
SL-A150-R05-115	100~240	150	19500	>0.9	2700-6500	50,000	120	-30~50	65	739.2*308*207
SL-A200-R05-115	100~240	200	26000	>0.9	2700-6500	50,000	120	-30~50	65	739.2*308*207

- LED, power (W), driver can be customized according to customer needs
- Our Standard Color Rendering (CRI) > 70 and Total harmonic index THD < 15%, According to customer requirements can produce a lower THD < 10%
- This type of certification is issued by a government-approved laboratory for Safety certification, Fire testing, Restriction of Hazardous Substances(RoHS), Photobiological safety of lamps and lamp systems.( an Exemption Group) and other test certifications to ensure product quality

- LED、功率(W)、驅動可根據客戶需求定制
- 此型號標準之顯色指數(CRI)>70, 總諧波指數THD<15%, 可按客戶需要生產低總諧波指數<10%
- 此型號認證由可實驗室發出之安全認證消防測試, 環保物料(RoHS), 光生物安全為Exemption Group及其它測試, 保證客戶使用更安心滿意

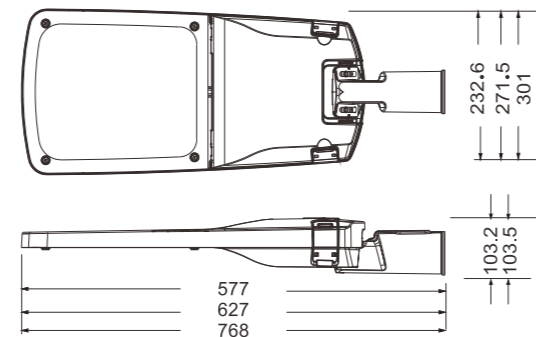
# LED Street Light

## Series Type: SL-A-R06

### Features 產品特點 >>

- Material: Tempered Glass,Clear
- Using high performance Philips SMD LED (130lm/W)
- Instant start, save a lot of energy
- High light efficiency, perfect replacement of traditional street lights
- Beautiful appearance, power saving and durable
- Certificate: CE RoHS

- 材質：壓鑄鋁機身
- 採用高性能飛利浦 SMD LED (130lm / W)
- 即時啟動，節省大量能源
- 高光效，完美替代传统路灯
- 外形美观，省电又耐用
- 證書：CE RoHS



Unit : mm

### Specification 產品規格 >>

Model 型號	Voltage 電壓 (V)	Power 功率 (W)	Lumen 流明 (lm)	Power Factor 功率因數 (PF)	Colour Temp 色溫 (K)	Life Time 壽命 (H)	Beam Angle 光束角 (°)	Working Temperature 工作溫度 (°C)	IP Rating IP等級	Size 尺寸 (mm)
SL-A50-R06-15	100~240	50	6500	>0.9	2700-6500	50,000	120	-30~50	65	577*232.6*103.2
SL-A100-R06-110	100~240	100	13000	>0.9	2700-6500	50,000	120	-30~50	65	627*271.5*103.2
SL-A150-R06-115	100~240	150	19500	>0.9	2700-6500	50,000	120	-30~50	65	768*301*103.5
SL-A200-R06-115	100~240	200	26000	>0.9	2700-6500	50,000	120	-30~50	65	768*301*103.5

- LED, power (W), driver can be customized according to customer needs
- Our Standard Color Rendering (CRI) > 70 and Total harmonic index THD < 15%, According to customer requirements can produce a lower THD< 10%
- This type of certification is issued by a government-approved laboratory for Safety certification, Fire testing, Restriction of Hazardous Substances(RoHS), Photobiological safety of lamps and lamp systems.( an Exemption Group) and other test certifications to ensure product quality

- LED、功率(W)、驅動可根據客戶需求定制
- 此型號標準之顯色指數(CRI)>70, 總諧波指數THD<15%, 可按客戶需要生產低總諧波指數<10%
- 此型號認證由可實驗室發出之安全認證消防測試, 環保物料(RoHS), 光生物安全為Exemption Group及其它測試, 保證客戶使用更安心滿意

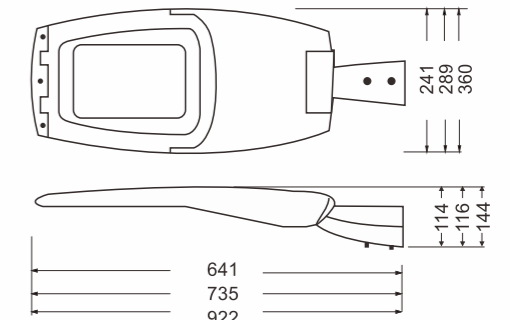
# LED Street Light

## Series Type: SL-A-RT

### Features 產品特點 >>

- Material: Tempered Glass,Clear
- Using high performance Philips SMD LED(160lm/W)
- Instant start, save a lot of energy
- High light efficiency, perfect replacement of traditional street lights
- Beautiful appearance, power saving and durable
- Certificate: CE RoHS

- 材質：壓鑄鋁機身
- 採用高性能飛利浦 SMD LED (160lm / W)
- 即時啟動，節省大量能源
- 高光效，完美替代传统路灯
- 外形美观，省电又耐用
- 證書：CE RoHS



Unit : mm

### Specification 產品規格 >>

Model 型號	Voltage 電壓 (V)	Power 功率 (W)	Lumen 流明 (lm)	Power Factor 功率因數 (PF)	Colour Temp 色溫 (K)	Life Time 壽命 (H)	Beam Angle 光束角 (°)	Working Temperature 工作溫度 (°C)	IP Rating IP等級	Size 尺寸 (mm)
SL-A50-RT15	85~305	50	8000	>0.9	2700-6500	50,000	120	-25~45	65	641*241*114
SL-A100-RT110	85~305	100	16000	>0.9	2700-6500	50,000	120	-25~45	65	735*289*116
SL-A150-RT115	85~305	150	24000	>0.9	2700-6500	50,000	120	-25~45	65	922*360*144

- LED, power (W), driver can be customized according to customer needs
- Our Standard Color Rendering (CRI) > 70 and Total harmonic index THD < 15%, According to customer requirements can produce a lower THD< 10%
- This type of certification is issued by a government-approved laboratory for Safety certification, Fire testing, Restriction of Hazardous Substances(RoHS), Photobiological safety of lamps and lamp systems.( an Exemption Group) and other test certifications to ensure product quality

- LED、功率(W)、驅動可根據客戶需求定制
- 此型號標準之顯色指數(CRI)>70, 總諧波指數THD<15%, 可按客戶需要生產低總諧波指數<10%
- 此型號認證由可實驗室發出之安全認證消防測試, 環保物料(RoHS), 光生物安全為Exemption Group及其它測試, 保證客戶使用更安心滿意

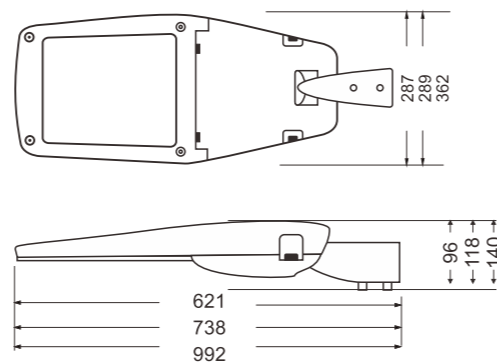
# LED Street Light

## Series Type: SL-A-RZ

### Features 產品特點 >>

- Material: Tempered Glass, Clear
- Using high performance Philips SMD LED(160lm/W)
- Instant start, save a lot of energy
- High light efficiency, perfect replacement of traditional street lights
- Beautiful appearance, power saving and durable
- Certificate: CE RoHS

- 材質: 壓鑄鋁機身
- 採用高性能飛利浦 SMD LED (160lm / W)
- 即時啟動, 節省大量能源
- 高光效, 完美替代传统路灯
- 外形美观, 省电又耐用
- 證書: CE RoHS



Unit : mm

### Specification 產品規格 >>

Model 型號	Voltage 電壓 (V)	Power 功率 (W)	Lumen 流明 (lm)	Power Factor 功率因數 (PF)	Colour Temp 色溫 (K)	Life Time 壽命 (H)	Beam Angle 光束角 (°)	Working Temperature 工作溫度 (°C)	IP Rating IP等級	Size 尺寸 (mm)
SL-A60-RZ15	85~305	60	9600	>0.9	2700-6500	50,000	120	-25~45	65	621*287*96
SL-A100-RZ110	85~305	100	16000	>0.9	2700-6500	50,000	120	-25~45	65	738*289*118
SL-A150-RZ115	85~305	150	24000	>0.9	2700-6500	50,000	120	-25~45	65	992*362*140

- LED, power (W), driver can be customized according to customer needs
- Our Standard Color Rendering (CRI) > 70 and Total harmonic index THD < 15%, According to customer requirements can produce a lower THD < 10%
- This type of certification is issued by a government-approved laboratory for Safety certification, Fire testing, Restriction of Hazardous Substances(RoHS), Photobiological safety of lamps and lamp systems.( an Exemption Group) and other test certifications to ensure product quality

- LED、功率(W)、驅動可根據客戶需求定制
- 此型號標準之顯色指數(CRI)>70, 總諧波指數THD<15%, 可按客戶需要生產低總諧波指數<10%
- 此型號認證由可實驗室發出之安全認證消防測試, 環保物料(RoHS), 光生物安全為Exemption Group及其它測試, 保證客戶使用更安心滿意

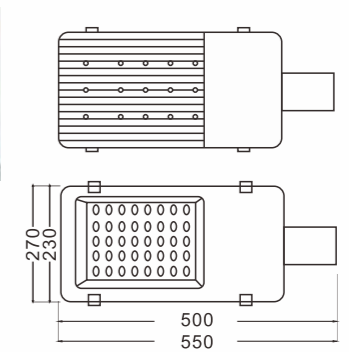
# LED Street Light

## Series Type: SSL-A

### Features 產品特點 >>

- Humanized timing control (100% watt for 3 hours, 50% watt for 2 hours, 20% watt for 3 hours, 2-3 days in rainy days, this mode can be customized according to customers)
- The maximum wattage is 18V80W (high-efficiency imported monocrystalline silicon), ternary lithium battery (11.1V / 48AH)
- Installation height: 6m, pole distance: 25-30m
- Suitable for road lighting in streets, squares, parks, schools, farms, villas, gardens and other places.

- 人性化的定時控制(3小時100%瓦特, 2小時50%瓦特, 3小時20%瓦特, 雨天2-3天, 此模式可根據客戶定制)
- 最大瓦數18V80W(高效進口單晶矽), 三元鋰電池(11.1V / 48AH)
- 安裝高度: 6m, 桿距: 25-30m
- 適用於街道、廣場、公園、學校、農場、別墅、花園等場所的道路照明



Unit : mm

### Specification 產品規格 >>

Model 型號	Voltage 電壓 (V)	Power 功率 (W)	Lumen 流明 (lm)	Power Factor 功率因數 (PF)	Colour Temp 色溫 (K)	Life Time 壽命 (H)	Beam Angle 光束角 (°)	Working Temperature 工作溫度 (°C)	IP Rating IP等級	Size 尺寸 (mm)
SSL-A30	85~305	30	4200	>0.9	2700-6500	50,000	120	-25~45	65	500*230*70
SSL-A50	85~305	50	7000	>0.9	2700-6500	50,000	120	-25~45	65	550*270*70

- LED, power (W), driver can be customized according to customer needs
- Our Standard Color Rendering (CRI) > 70 and Total harmonic index THD < 15%, According to customer requirements can produce a lower THD < 10%
- This type of certification is issued by a government-approved laboratory for Safety certification, Fire testing, Restriction of Hazardous Substances(RoHS), Photobiological safety of lamps and lamp systems.( an Exemption Group) and other test certifications to ensure product quality

- LED、功率(W)、驅動可根據客戶需求定制
- 此型號標準之顯色指數(CRI)>70, 總諧波指數THD<15%, 可按客戶需要生產低總諧波指數<10%
- 此型號認證由可實驗室發出之安全認證消防測試, 環保物料(RoHS), 光生物安全為Exemption Group及其它測試, 保證客戶使用更安心滿意

# LED Street Light

## Series Type: SSL-Y

### Features 產品特點 >>

- Humanized timing control (100% watt for 3 hours, 50% watt for 2 hours, 20% watt for 3 hours, 2-3 days in rainy days, this mode can be customized according to customers);
- The maximum wattage is 18V80W (high-efficiency imported monocrystalline silicon); ternary lithium battery (11.1V / 48AH);
- Installation height: 6m; pole distance: 25-30m
- Suitable for road lighting in streets, squares, parks, schools, farms, villas, gardens and other places.



- 人性化的定時控制 (3小時100%瓦特, 2小時50%瓦特, 3小時20%瓦特, 雨天2-3天, 此模式可根據客戶定制);
- 最大瓦數18V80W (高效進口單晶矽); 三元鋰電池 (11.1V / 48AH);
- 安裝高度: 6m; 桿距: 25-30m
- 適用於街道, 廣場, 公園, 學校, 農場, 別墅, 花園等場所的道路照明。

### Specification 產品規格 >>

Model 型號	Voltage 電壓	Power 功率	Lumen 流明	Power Factor 功率因數	Colour Temp 色溫	Life Time 壽命	Beam Angle 光束角	Working Temperature 工作溫度	IP Rating IP等級	Size 尺寸
	(V)	(W)	(lm)	(PF)	(K)	(H)	(°)	(°C)		(mm)
SSL-Y60	11.1	60	6600-7200	>0.9	6000	50,000	120-60	-10~+60	65	1370*360*140

- LED, power (W), driver can be customized according to customer needs
- Our Standard Color Rendering (CRI) > 70 and Total harmonic index THD < 15%, According to customer requirements can produce a lower THD < 10%
- This type of certification is issued by a government-approved laboratory for Safety certification, Fire testing, Restriction of Hazardous Substances (RoHS), Photobiological safety of lamps and lamp systems. (an Exemption Group) and other test certifications to ensure product quality

- LED、功率 (W)、驅動可根據客戶需求定制
- 此型號標準之顯色指數 (CRI) > 70, 總諧波指數 THD < 15%, 可按客戶需要生產低總諧波指數 < 10%
- 此型號認證由可實驗室發出之安全認證消防測試, 環保物料 (RoHS), 光生物安全為 Exemption Group 及其它測試, 保證客戶使用更安心滿意