



iLighting Global Enterprise Co., Ltd.

Office Address: Room B3, 18/F Bonsun Industrial Building,
364-366 Sha Tsui Road, Tsuen Wan, HongKong

Phone: 852-3107 7500

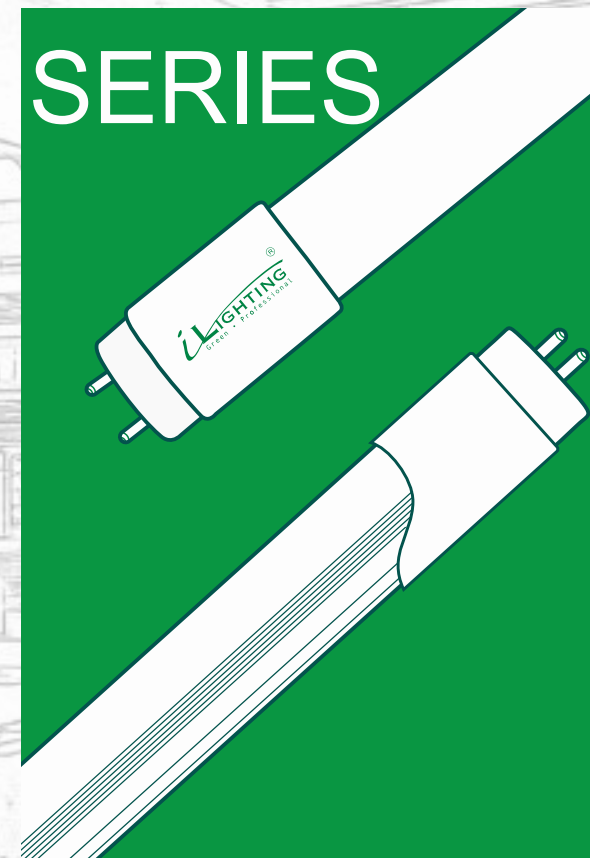
Fax: 852-3544 0462

Email: info@ilighting.com.hk

Website: www.ilighting.com.hk



LED LIGHTING SERIES



CATALOG LED TUBE

iLighting Global Enterprise Co., Ltd.
www.ilighting.com.hk

LED TUBE

LED Lighting Series



CONTENTS

Company Profile 公司簡介 1-2

Lighting Basic Concept 照明基本概念 3-12

General Lighting 一般應用照明 13-28

Sensor Lighting 傳感器應用照明 29-43

Preset & Timer Lighting 預設和計時應用照明 44-48

Dimming Lighting 調光應用照明 49-54

Wireless Lighting 無線應用照明 55-64

Special Purpose Lighting 特殊用途照明 65-72

PL Tube Series 橫插燈系列 73-76

LED
Lighting
Series

A still life photograph showing a glass vase with green leaves and small yellow flowers on the left. In the center, two lit candles are placed in black holders. To the right is a whole, ripe pomegranate. The scene is lit from above, casting soft shadows on the white surface.

A General Lighting 一般應用照明



B Sensor Lighting 傳感器應用照明



C Preset & Timer Lighting 預設和計時應用照明



D Dimming Lighting 調光應用照明



Wireless Lighting 無線應用照明

- | | | | | |
|--|---|--|--|---|
| 
P.56
WiFi IOT
LED T8 Tube | 
P.57
LoRa LED T8 Tube | 
P.58
LoRaWAN
LED T8 Tube | 
P.59
Radio Controlled
Microwave Sensing Linkage | 
P.60
Master Radio Controlled
Microwave Sensing Linkage |
| 
P.61
Slave Radio Controlled
Microwave Sensing Linkage | 
P.62
T5 Slave Radio Controlled
Microwave Sensing Linkage | 
P.63
T8 Bluetooth
Microwave Sensing Linkage | 
P.64
Master Grouping -
Broadcast Control Wireless Unit | |

Special Purpose Lighting 特殊用途照明

- | | | | | |
|--|---|---|---|---|
| 
P.66
Plant Growth LED
T8 Tube | 
P.67
Compatible Electronic Ballast
T5 LED Tube | 
P.68
Universal Compatible LED
T8-T5 Tube | 
P.69
Textile LED T8 Tube | 
P.70
DMX512-RGBW LED
T5 Tube |
| 
P.71
Negative ion LED
T8 Tube | 
P.72
Anti UV tube | | | |

PL Tube Series 橫插燈系列

- | | | |
|---|---|---|
| 
P.74
LED PLC Tube | 
P.75
LED PLS Tube | 
P.76
LED PLL Tube |
|---|---|---|

what's inside...
PRODUCT CATALOG

Company Profile

公司簡介

ABOUT US 關於我們

iLIGHTING Global Enterprise Co. Ltd. emerges as a professional and high-end lighting designer, manufacturer and supplier established in Hong Kong and Mainland China under the Brand name 'iLighting' since 2007. The company is also a strategic OEM/ODM partner of many organization-wide lighting brands. The company devotes herself in the development, manufacturing and marketing of green, low-carbon and energy-saving lighting products. With continuous investment on R&D, we are proud to provide a wide range of LED products and work with worldwide partners in developing and managing Energy Management System (EMS) through the application of 5G and WiFi technology.

iLIGHTING智能環球企業有限公司成立於2007年是一家集高端照明設計、製造和供應為一體的專業照明公司，自2007年起在香港和中國大陸以“iLighting”的名字成立。公司也是許多照明品牌的戰略性OEM/ODM合作夥伴。公司致力於綠色、低碳、節能照明產品的開發、製造和銷售。憑藉對研發的持續投資，我們自豪地提供範圍廣泛的LED產品，並通過應用5G和WiFi科技與全球合作夥伴合作開發和管理能源管理系統(EMS)。

Product Capacity 生產能力

- LED lighting with integrated design and built-in advanced electronic driver for building lighting retrofit.
- LED indoor and outdoor lighting with internal and external drivers.
- LED lighting emergency fitting and charging packs.
- Extra long life LED lamps for high power high bay and flood lights.
- Total system solution for dimming lighting control deploying WiFi, DALI, Lonwork, Bluetooth 4.0, Zigbee technologies.
- OEM / ODM energy saving lighting as required by clients for new and retrofit installation.
- Total Energy Management Solution for Intelligent Building Management.
- LED照明與集成設計和內置先進的電子驅動器，用於建築照明改造。
- 室內和室外LED照明，有內部和外部驅動器。
- LED照明應急配件和充電器。
- 超長壽命LED燈，適用於大功率高位燈和泛光燈。
- 全系統調光照明控制解決方案，採用WiFi、DALI、Lonwork, Bluetooth 4.0, Zigbee 通訊技術。
- OEM/ODM節能照明，可根據客戶的要求進行更新改造。
- 智能建築管理總能源管理解決方案。

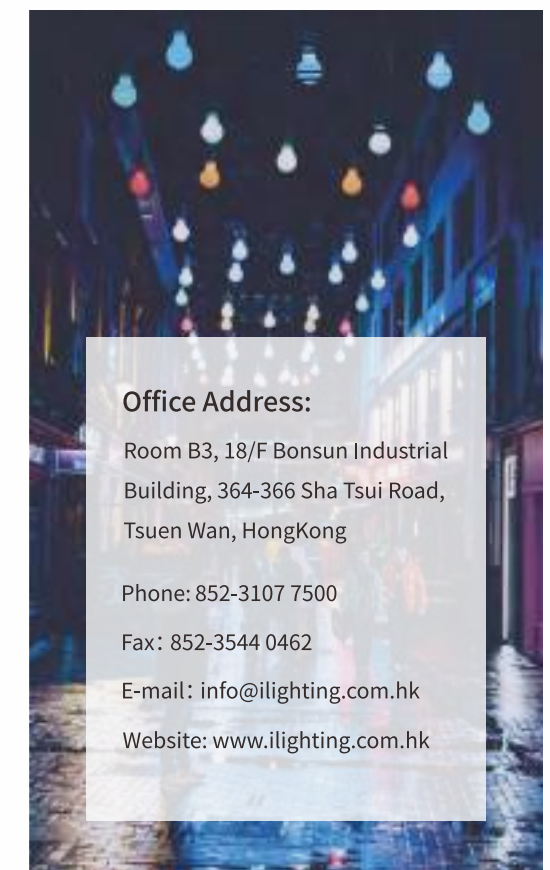
Our Mission 我們的使命

We look to serve our client with the best quality of products and viable solutions of energy management system through intelligent system integration. Product adaptability is our strength ; continuous improvement is our norm of work and meeting customer satisfaction is our goal.

我們希望通過智能系統集成，為客戶提供最優質的產品和可行的能源管理系統解決方案。產品適應性是我們的優勢，持續改進是我們的工作準則，滿足客戶滿意是我們的目標。

Our Advantages 我們的優勢

- Excellent after-sale services.
- OEM and ODM for global lighting companies.
- Flexible design and tailor-made products to suit retrofit projects.
- 優良的售後服務。
- 為全球照明公司提供OEM和ODM。
- 靈活的設計和訂制的產品，以適應更新改造項目。



Office Address:

Room B3, 18/F Bonsun Industrial Building, 364-366 Sha Tsui Road, Tsuen Wan, HongKong

Phone: 852-3107 7500

Fax: 852-3544 0462

E-mail: info@ilighting.com.hk

Website: www.ilighting.com.hk

Lighting Basic Concept

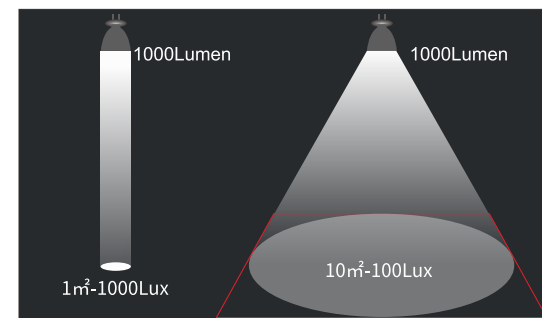
照明基本概念



Lumen 流明

Lumen 實際上是代表著光的強度，也就是光通量(Luminous flux)即指光源在某單位時間內所發出之光線總數量。一般稱作光束)的單位，簡而言之，流明就是光束照在物體表面的量。

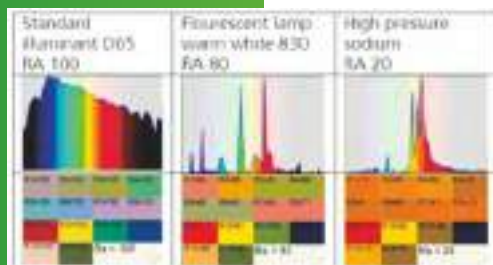
Lumen actually represents the intensity of lights. that is, the luminous flux(Luminous Flux) refers to the unit of the total amount of light emitted by a light source in a unit time, generally referred to as the light beam. In short, lumens is the light beam Amount on the surface of the object.



Color Rendering Index 顯色性指數

顯色度以Ra來表示，天然光的顯色度為100Ra，顯色度越接近100Ra，我們看到的顏色就越接近物體的自然原色。也就是顏色逼真的程度，顯色度高 我們所看到的顏色也就是較接近自然原色，顯色度低對於顏色的表現較差，所看到的顏色偏差也延遲。

Color rendering is represented by Ra, the color rendering of natural light is 100 Ra, the closer the color rendering is to 100 Ra, the color we see is closer to the natural primary color of the object. Color is realistic. The degree of color rendering is high. The color we see is close to natural primary color, low color rendering, poor performance for color, The color deviation seen is also delayed.



Color Temperature 色溫

色溫及不同色溫應用什麼環境——以絕對溫度 K(kelvin)來表示，色溫度 3000k以下時，光色有偏紅的現象(黃光)，給予一種溫暖、親切、舒適的感覺；色溫度超過 5000k時，顏色則偏向藍光(白光)，給人一種清冷的感覺，令環境變得清冷和寧靜。

通常亞熱帶人較喜歡清冷 4000k以上，而寒帶的人較喜歡 4000k以下的色溫度。

Color temperature and what environment is used for different color temperatures-expressed in absolute temperature K (kelvin), when the color temperature is below 3000k, the light color has a reddish phenomenon (yellow light), giving a warm, friendly, comfortable feeling; color temperature exceeds 5000k At this time, the color is biased towards blue light (white light), giving a cool feeling. Make the environment clear and peaceful.

Generally, people in the subtropics prefer cold temperatures above 4000k, while those in the cold regions prefer colors below 4000k.

WB SETTINGS	COLOR TEMPERATURE	LIGHT SOURCES
☁	10000-15000K	Clear Blue Sky
	6500-8000K	Cloudy Sky / Shade
☀	6000-7000K	Noon Sunlight
☀	5500-6500K	Average Daylight
⚡	5000-5500K	Electronic Flash
💡	4000-5000K	Fluorescent Light
☀	3000-4000K	Early AM/ Late PM
☀	2500-3000K	Domestic Lighting
🕯	1000-2000K	Candle Flame



Life 壽命

分為平均壽命和經濟壽命兩種，以小時為單位。

平均壽命 (rate average life)

例如，每個100個燈泡同時亮著，若6000小時後，第50個燈泡壞掉熄滅，此燈泡的平均壽命則為6000小時。

經濟壽命 (economic life)

指流明輸出的總時數

以上，燈的光通維持率達到標準規定的要求並能繼續燃點至50%的燈(即50%的燈失效時的壽命)，同時考慮損壞以及光束輸出衰減的狀況下能維持光源為70%以上。

Divided into two types of average life and economic life, in hours.

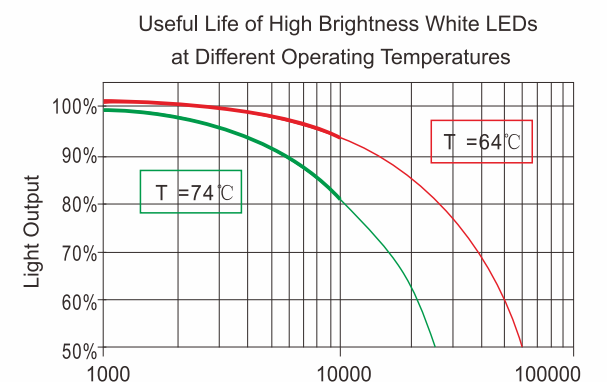
Life expectancy (rate average life)

For example, each of the 100 light bulbs is on at the same time. If after 60,000 hours, The 50th lamp is broken and extinguished, and the average life of the lamp is 60000 hours.

Economic life

Economic life refers to lumen output.

The above, The lumen maintenance rate of the indicator lamp meets the requirements of the standard that can continue burning point to 50% of lamps (ie, that point at 50% of lamp fails). Taking into account for the damage, lumen output decay, it can maintain light source at 70% healthy condition.



Fire Proof Material 物料防火等級

塑料阻燃等級由 HB, V-2, V-1向V-0逐級遞增。

HB: UL94標準中最低的阻燃等級，要求對於3到13毫米厚的樣品，燃燒速度小於 40毫米每分鐘；小於 3毫米厚的樣品，燃燒速度小於 70毫米每分鐘；或者在 100毫米的標誌前熄滅。

V-2: 對樣品進行兩次 10秒的燃燒測試後,火焰在 30秒內熄滅,可以引燃 30cm下方的藥棉。

V-1: 對樣品進行兩次 10秒的燃燒測試後,火焰在 30秒內熄滅,不能引燃 30cm下方的藥棉。

V-0: 對樣品進行兩次 10秒的燃燒測試後,火焰在 10秒內熄滅,不能有燃燒物掉下。

Plastic flame retardant grades are gradually increased from HB, V-2, V-1 to V-0.

HB: The lowest flame retardant grade in the UL94 standard, Require for 3 to 13mm thick samples with a burning rate of less than 40 mm per minute; less than 3 mm thick samples with a burning rate of less than 70 mm per minute; or stop at 100 mm sign.

V-2: After two 10-second burn tests on the sample, the

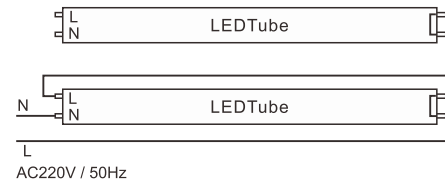
flame stops at 30 seconds, would ignite cotton wool below 30cm.

V-1: After two 10-second fire tests on the sample, the flame was at 30 seconds Inside goes out. Would not ignite cotton wool below 30cm.

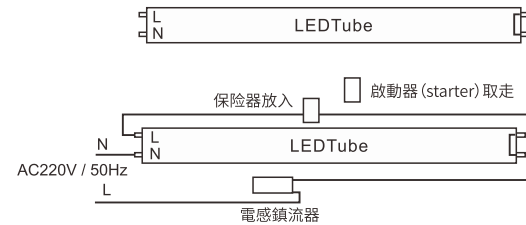
V-0: After two 10-second burn tests on the sample, the flame stops at 10 seconds. No burning substances should fall off.



Wiring Diagram 接線方案



• 新支架內之接線圖



• 新支架內之接線圖
• 把T8螢光直管及啟動器 (starter) 取走,更換單獨端 T8LED直管電感鎮流器,之後放入保險器,不需要任何線路上改動。



Stroboscopic Suppression 頻閃抑制

理想的光源亮度是鎮流後之直流電壓恆定不變的,這就是理論上的絕對無頻閃。實際上我們平常使用的燈具直流電壓都不會真正的恆定不變,週期的亮度高低變化程度就是頻閃。

市面常見LED驅動電路,頻閃深度最大的頻率一般都是100HZ左右。因為PWM高頻是調製在50HZ整流後的電壓

上。實際燈具中,任何的頻率上都都會有一定的頻閃深度(最亮的亮度和最暗的亮度之差)。那麼,這裡就存在一個頻閃深度最大的時候所對應的頻閃頻率。還有就是最大的頻閃深度值。頻閃頻率越高對人的影響越小,頻閃深度越小對人的影響越小,總體來說頻閃深度越小對人降低或消除導致視力疲勞的低頻率光,減輕眼睛負擔,關愛眼睛。

Ideal light source brightness is constant, which is absolute no stroboscopic depth. In fact, the brightness of the lamps we usually install will not be truly stable. The degree of change in the brightness within the period is the frequency.

The common LED drive circuit in the market has the stroboscopic depth at frequency 100 HZ or so. This is because PWM high frequency is modulated on the voltage after 50 HZ rectification. In actual lamps, there will be a certain stroboscopic depth at any frequency. (The difference between the greatest brightest and smallest brightness). Well, there would be the strobe frequency corresponding to the maximum stroboscopic depth, that has the biggest strobe depth value.

The higher the strobe frequency, the smaller the impact is on peoples. As a consulsion, the lower the stroboscopic depth can reduce or eliminate low-frequency light vision fatigue that reduces the burden on the eyes and cares about eye health.



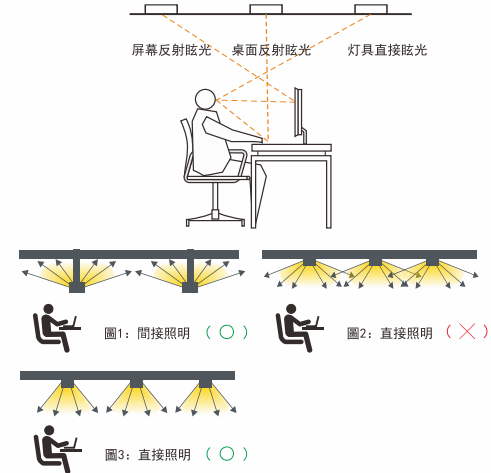
Glare 眩光

是指視野中由於不適宜亮度分佈,是因視野內的亮度大幅超過眼睛所適應,以致引起視覺不舒適和降低物體可見度的視覺條件。視野內產生人眼無法適應之光亮感覺,可能引起厭惡、煩擾、不舒服或視力受損不舒服、甚或喪失明視度。在視野中某一局部地方出現過高的亮度或前後發生過大的亮度變化。

眩光是引起視覺疲勞的重要原因之一。

Refers to the unsuitable brightness distribution in the visual field, resulting in visual discomfort and reduced object visibility Visual conditions. There is a discomfort feeling in the eye vision that a person cannot withstand that would cause disgust, discomfort or even loss of vision. Excessive brightness in a special location of vision, or excessive brightness changes.

Glare is one of the important causes of visual fatigue.



Power Factor 功率因數

日常使用的交流電壓是電壓高低不斷地在變化的,理想情況下,電壓和電流相位完全同相, $Pf=1$ 。同步下最大的發揮電線的傳輸效率。這情況下用電設備所使用的所有功率叫稱功率。

電器的最大電流瞬間比電網最高電壓的瞬時提前或滯後,那就降低電線的效率。由於其不同步,電線內阻造成額外的功率損耗,這部分損耗的功率稱無功率。

The AC voltage used in daily life is constantly changing in voltage, ideally in the following, voltage and current are called in-phase, and $PF=1$. Can make the most of the wire transmission efficiency. In this case, all the power used by the electrical equipment is called active power.

The maximum current of the appliance is instantaneously earlier or later than the instant of the maximum voltage of the power grid. Will reduce the efficiency of the wire. Due to its non-synchronization, the internal resistance of the wire causes additional power loss, the power lost in this part is called no power. Therefore, we generally



Light source efficiency lm/w (lumen efficiency)

光源效率 lm/w (流明效率)

光源的效率取決於其所發出的光的流明除以起耗電量所得值LED光亮度,並非似功耗(W)度量,而是以流明輸出(lm)來決定。

iLighting LED 流明效益高,更有歐洲B級能源標籤,保證節電環保。

The efficiency of a light source depends on the lumen of the light it emits divided by the power consumption LED brightness is not similar to wattage (W) measurement, but measured in lumens output (lm) Decide.

iLighting LED Lumen has high lumen efficiency, and it also has obtained European B energy label to ensure power saving and environmental protection.

Minium Allowable Power Factor For Non-Directional LED Lamp With Integrated Driver

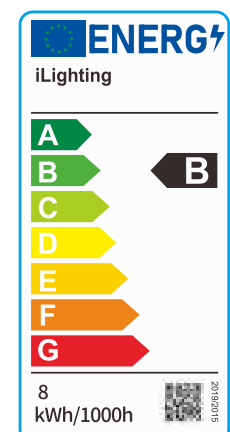
Rated Lamp Wattage(LW)	minimum allowable power factor
$LW \leq 5W$	0.5
$5W < LW \leq 25W$	0.7
$LW > 25W$	0.9

Minium Allowable Power Factor For Directional LED Lamp With Integrated Driver

Rated Lamp Wattage(LW)	minimum allowable power factor
$LW \leq 5W$	0.5
$5W < LW \leq 25W$	0.7
$LW > 25W$	0.9

information refer to Hong Kong Voluntary Energy Efficiency Labelling for LED Lamp- January 2017 EMSD (Electrical and Mechanical Services Department)

want to make the electrical equipment as much as possible The highest voltage is synchronized. The closer the PF is to 1, the more synchronized the wire loss is the more environmentally friendly.



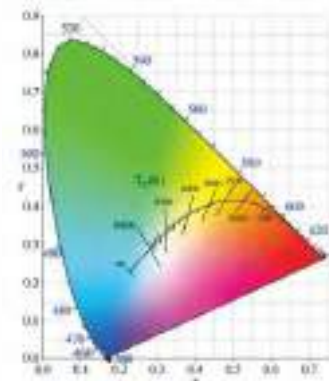


LED International standard for chromaticity difference LED 光源色度差異之國際標準

Chromaticity Tolerances Quadrangles

- In both Δ CCT and Duv directions
- Approximately equal to 7-step MacAdam ellipses

Nominal CCT	Target CCT and tolerance(K)	Target DUV and tolerance(K)
2700k	2725 ± 145	0,000 ± 0,006
3000k	3045 ± 175	0,000 ± 0,006
3500k	3465 ± 245	0,000 ± 0,006
4000k	3985 ± 275	0,001 ± 0,006
4500k	4503 ± 243	0,001 ± 0,006
5000k	5026 ± 283	0,002 ± 0,006
5700k	5665 ± 355	0,002 ± 0,006
6500k	6530 ± 510	0,003 ± 0,006
Flexible CCT(2700-6500k)	T _p ± Δ T _p	D _v ± 0,006



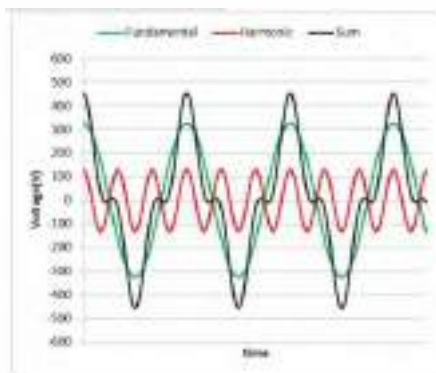
The LED lamp must have one of the rated Correlated Colour Temperatures (CCTs) including 2700K,3000K,3500K,4000K,4500K,5000K,5700K,6500K and flexible CCT consistent with the 7-step chromaticity, quadrangles and Duv tolerances as indicated in Table1.The measured initial CCT and initial DUV shall be within the tolerances of target CCT and target DUV of the selected rated CCT.



Total Harmonic Distortion (THD) 總諧波失真

THD 是驅動電路中的各種非線性元器件工作時產生的倍數於電源頻率(50-60HZ)的周期性電流電壓干擾,經驅動電路的輸入端反竄入電網迴路中,造成電網的工作頻率不純淨(如 50HZ電網中夾雜著 100HZ、150HZ、200HZ等等的多種雜波電流),影響其它附近的用電設備,嚴重的會竄到總電網中干擾損壞電力設備。

例如:各種精密儀器設備、生命維持設備就對使用的電源品質要求很高,如果使用了諧波大的電網或附近有高諧波的用電設備造成電網諧波過高,輕則會干擾儀器的精度,重則可能會導致儀器工作不正常甚至不工作、燒毀等……



THD's dimming application scheme is the periodic current and voltage interference that multiples of the power supply frequency (50-60HZ) is generated during the operation of various non-linear components in the drive circuit, and then back into the grid circuit through the input of the drive circuit. Causes the impure working frequency of the power grid (for example, a variety of clutter currents of 100HZ, 150HZ, 200HZ, etc. are mixed in the 50HZ power grid), affects other nearby electrical equipment, and can seriously damage the power equipment by channeling into the overall power grid.

For example: various precision instruments and life support equipment have high requirements on the quality of the power supply used. If the network harmonic is too high, it will interfere with the accuracy of the instrument in the light, and it may cause the instrument to work abnormally or even not work, burn out, etc ...



Lux 平均照度

平均照度應用要求照度的定義為被照體單位面積所受的光通量,其單位為勒克斯(LUX),每一不同使用目的的場所,均有其合適的照度來配合實際需要。例如,一般家庭書房的全般照明照度約為 100 LUX,閱讀時則需要照度 600 LUX,此時可用檯燈作為局部照明,以達到所需照度。照度太低時,容易導致眼睛疲勞造成近視,照度太高則過分明亮刺眼,形成電力浪費。

Lux is defined as the average luminous flux per unit area of the subject, and its unit is lux. Every place with different usage purpose has its own suitable illumination to meet the actual needs. For example, the general illumination of an ordinary home study is about 100 LUX, while reading requires 600 LUX. At this time, a table lamp can be used as local lighting to achieve the required illuminance. When the illuminance is too low, it is easy to cause eye fatigue and myopia, and when the illuminance is too high, it is too bright and dazzling, resulting in waste of electricity.

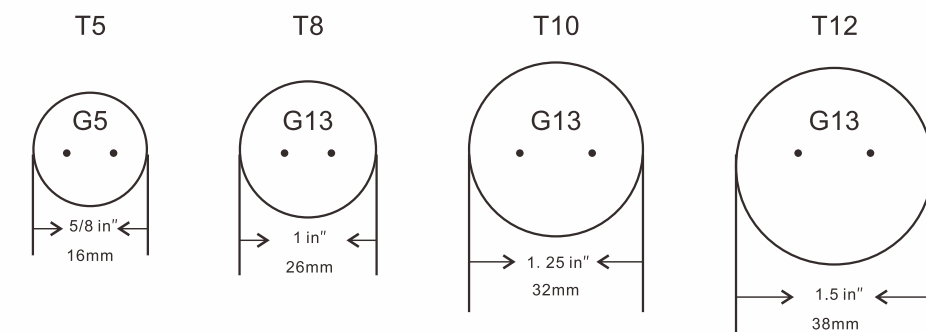
照度(LUX)	場所 辦公場所
1500~750	製圖室、設計室、辦公室
750~300	辦公室、電腦室、會議室
300~100	廁所、走廊、樓梯、休息室、其他場所
75~30	太平梯

照度(LUX)	場所 工廠
3000~1500	組裝作業、檢查、測試、分析、超細微作業、檢查
1500~750	組裝作業、檢查、測試分析、細微作業
750~300	組裝作業、檢查、測試分析、普通作業
300~150	包裝、倉庫

照度(LUX)	場所 學校
1500~300	精密製圖、精密實驗、圖書館
750~200	教室、圖書館閱覽室、教職員工休息室、體育館
300~75	演講大廳/禮堂、衣物間、走廊、樓梯、休息室
75~30	倉庫、安全梯
10~2	通道(夜間使用)



Tube length and size specifications 管長度及尺寸規格



Certificate 常用證書

LVD
EMC/EMI
RoHS
IEC/EN 62471(光生物安全認證) 保障眼睛、皮膚安全,消除有害光線,可放心使用。

LVD
EMC/EMI
RoHS
IEC/EN 62471
(Photo biological safety certification) Ensure eye and skin safety, eliminate harmful light, can be used with confidence



Our Lighting can provide

Features

我們的照明可以……

▶ 高顯色度·低色容差

High color rendering and low color tolerance



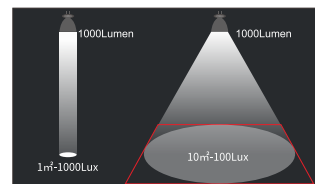
Low color tolerance SDCM <3%

顯色度可達97Ra，接近自然色。

The color rendering degree can reach 97Ra, which is close to natural color.

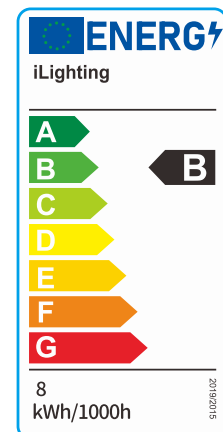
▶ 高能源效益·高流明

High color rendering and low color tolerance



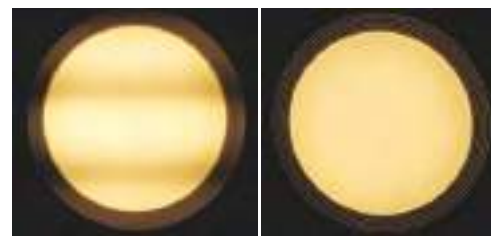
流明效益高，燈管光源效率最高200lm/W，更有最新歐洲B級能源標籤，保證節電環保。

It has high lumen efficiency, the highest light source efficiency of 200lm / W, and the latest European B-class energy label, ensuring energy-saving and environmental protection.



▶ 無閃頻

Flicker-Free



LED Tube = Flicker Free

頻閃指數小於4%，頻閃深度越小，對人眼的影響越小。

The stroboscopic index is less than 4%, The smaller the stroboscopic depth, the less impact on human eyes.

▶ 更改顏色和調光

Change Color and Dimming



3000K Warm 4000K Neutral 6000K Cold



▶ 低光衰·壽命長

Low light decay & long life expectancy

運行35000小時後，可保持至少80%的初始流明輸出。經認可的實驗室進行的光衰減測試表明，每10000小時<5%，50000小時不超過25%。

Can maintain at least 80% of initial lumen output after operating 35000 hours. The light decay tests by accredited laboratories demonstrate <5% every 10,000 hrs and no more than 25% for 50,000 hrs.

▶ 防火等級V-0物料

V-0 Fire Retardant Material

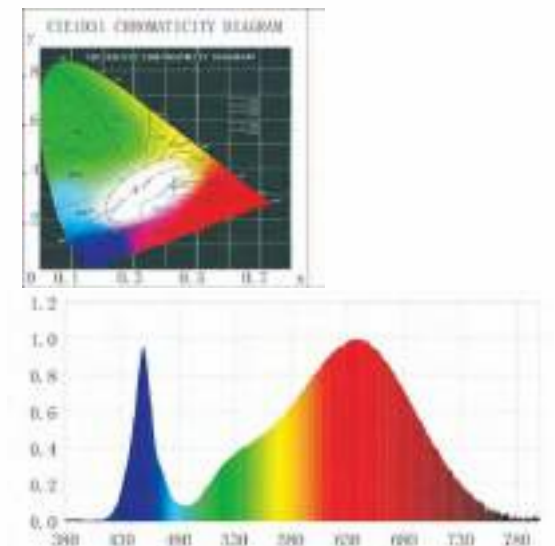
產品所用材質為V-0級優質材料，使用更安全。消防署FSD104認可，通過高溫防火測試，放電三小時測試。

The material used in the product is V-0 high-quality material, which is safer to use. Approved by the Fire Department FSD104, it has passed the high temperature fire test and discharge test for three hours.



▶ 全光譜

Full Spectrum



▶ 高效表現

High performance

- 輸入寬電壓AC85-265V，全球通用；
- 負40度仍正常工作；
- PF高達0.99以上；
- 如1顆LED損壞不影響其他LED，照常工作。

- Ac85-265v wide input voltage, universal;
- Minus 40 degrees is still working;
- PF as high as 0.99 and above;
- If 1 LED is damaged, other leds will not be affected and work as usual.

Provide you with a variety of options

為您提供多種選擇方案……

▶ 燈頭T8轉T5 Lamp cap T8 to T5



T8 L管 T8轉T5 L管



T8 N管 T8轉T5 N管

▶ 旋轉頭搭配 Spin head matching



T5旋轉頭 T8旋轉頭



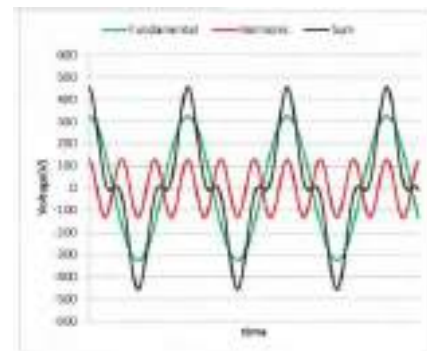
▶ 不同品牌燈珠可選 Different brands of lamp beads can be selected



▶ 低諧波指數THD≤6% Total Harmonic Distortion

總諧波指數THD<15%，可按客戶需要生產低總諧波指數<10% ,≤6%

Our standard total harmonic index THD<15%, According to customer requirements can produce a lower THD<10%,THD≤6%.



▶ 高功率 High Power

功率可做到比市場高80%，1.2m功率達到36W，也生產不同功率，配合能源節能計劃。

The power can be 80% higher than the market. For example, 36W for our 1.2M tubes. Different power options are available for energy plans.

▶ 參數定制 Parameter customization

100 lm/w 120 lm/w CRI 90

N管 max 22w(4ft) L管 max 36w(4ft)

光效 (lm/W)、功率 (W)、顯色指數 (CRI), 可根據客戶需求定制。

Light efficiency (lm/W), Power (W), Color Rendering Index (CRI), Can be customized according to customer needs.

▶ 燈管保養 LED tube maintenance

產品保養選擇

3年 4年 5年
three years four years five years

▶ 表面噴塗—三防工藝 Surface spraying—three-proof process

加表面噴塗后表面光澤度增強,並且絕緣性加強,耐腐蝕,耐磨性,耐高溫和增強遮污性。

After spraying, the surface gloss is enhanced, and the insulation is strengthened, corrosion resistance, wear resistance, high temperature resistance and pollution prevention are enhanced.



▶ 多項產品證書 Multiple product certificates

CE/LVD、CE/EMC、RoHS
- LVD : IEC62776、IEC 62471、
IEC 62384、IEC 62031
- EMC/EMF : IEC 62493、IEC 62612

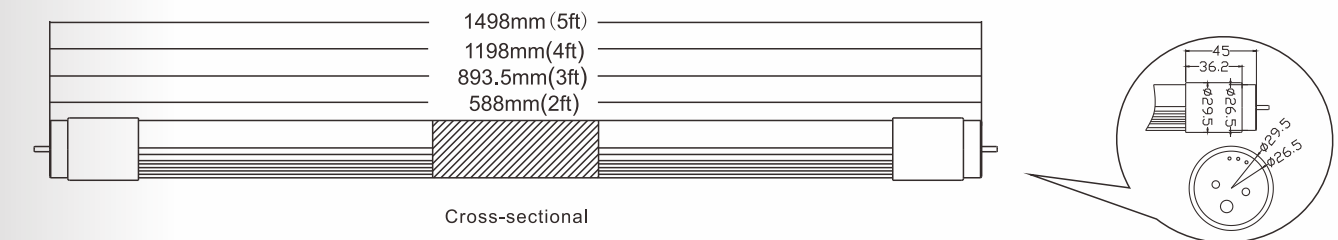


High Performance LED T8 Tube

Series Type: N

Features 產品特點 >>

- Uniform light emission
- Retrofit to existing T8 lights on EM
- SPM Design – power circuit protection to cut off individual LEDs when mal-functioned
- Latest LED lighting standard IEC62560, EN62776, EN62493 certified
- Photo-biological test IEC62471 certification-exemption group
- 發光均勻
- 對現有的T8燈進行改造
- SPM 設計-電源電路保護, 當個別led故障時切斷單個LED電路
- 獲得最新LED照明標準IEC62560、EN62776、EN62493認證
- 光生物試驗IEC62471認證豁免組



Specification 產品規格 >>

Model 型號	Voltage 電壓 (V)	Wattage 功率 (W)	Length 長度 (mm)	Lamp Life 光度壽命 (Hrs)	Colour Temp 色溫 (K)	Lumen Output 輸出流明 (Lm/W)	Color Rendering 顯色度 (CRI)	Lamp Base 燈腳	PCS/CTN 每箱數量 (pcs)
LT-I0609-N128A	100~240	9	600	50000	3000/4000/6500	120	>80	T8,G13	25
LT-I0912-N128A	100~240	12	900	50000	3000/4000/6500	120	>80	T8,G13	25
LT-I1218-N128A	100~240	18	1200	50000	3000/4000/6500	120	>80	T8,G13	25
LT-I1522-N128A	100~240	22	1500	50000	3000/4000/6500	120	>80	T8,G13	25

- Light efficiency (lm/W), Power (W), Color Rendering Index (CRI), Can be customized according to customer needs
- Our Standard Power factor (PF) > 0.9 and Total harmonic index THD < 15%, According to customer requirements can produce a lower THD < 10%
- This type of certification is issued by a government-approved laboratory for Safety certification, Fire testing, Restriction of Hazardous Substances (RoHS), Photobiological safety of lamps and lamp systems. (an Exemption Group) and other test certifications to ensure product quality
- 光效 (lm/W)、功率 (W)、顯色指數 (CRI), 可根據客戶需求定制
- 此型號標準之功率因素 (PF) > 0.9, 總諧波指數 THD < 15%, 可按客戶需要生產低總諧波指數 < 10%
- 此型號認證由可實驗室發出之安全認證消防測試, 環保物料 (RoHS), 光生物安全為 Exemption Group 及其它測試, 保證客戶使用更安心滿意

General Lighting

一般應用照明

Commercial LED T8 Tube

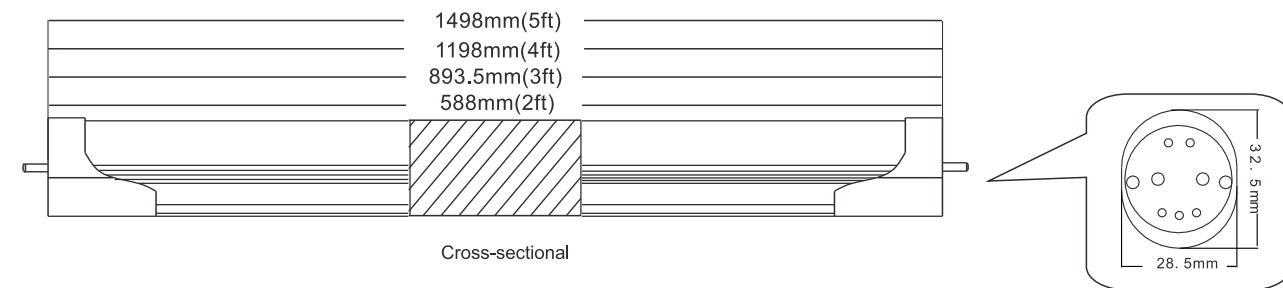
Series Type: L

Features 產品特點 >>

- Uniform light emission
- SPM Design – power circuit protection to cut off individual LEDs when mal-functioned
- Optional: rotary end knob for angle adjustment
- 發光均勻
- SPM設計-電源電路保護, 當個別led故障時切斷單個LED電路
- 可選配: 角度調節旋鈕



Flick Free
(無閃頻)
保護視力



Specification 產品規格 >>

Model 型號	Voltage 電壓 (V)	Wattage 功率 (W)	Length 長度 (mm)	Lamp Life 光度壽命 (Hrs)	Colour Temp 色溫 (K)	Lumen Output 輸出流明 (Lm/W)	Color Rendering 顯色度 (CRI)	Lamp Base 燈腳	PCS/CTN 每箱數量 (pcs)
LT-I0609-L128A	100~240	9	600	50000	3000/4000/6500	120	>80	T8,G13	25
LT-I0912-L128A	100~240	12	900	50000	3000/4000/6500	120	>80	T8,G13	25
LT-I1218-L128A	100~240	18	1200	50000	3000/4000/6500	120	>80	T8,G13	25
LT-I1522-L128A	100~240	22	1500	50000	3000/4000/6500	120	>80	T8,G13	25

- Light efficiency (lm/W), Power (W), Color Rendering Index (CRI), Can be customized according to customer needs
- Our Standard Power factor (PF) > 0.9 and Total harmonic index THD < 15%, According to customer requirements can produce a lower THD < 10%
- This type of certification is issued by a government-approved laboratory for Safety certification, Fire testing, Restriction of Hazardous Substances (RoHS), Photobiological safety of lamps and lamp systems. (an Exemption Group) and other test certifications to ensure product quality
- 光效 (lm/W)、功率 (W)、顯色指數 (CRI), 可根據客戶需求定制
- 此型號標準之功率因素 (PF) > 0.9, 總諧波指數 THD < 15%, 可按客戶需要生產低總諧波指數 < 10%
- 此型號認證由可實驗室發出之安全認證消防測試, 環保物料 (RoHS), 光生物安全為 Exemption Group 及其它測試, 保證客戶使用更安心滿意

Wide Angle LED T8 Tube

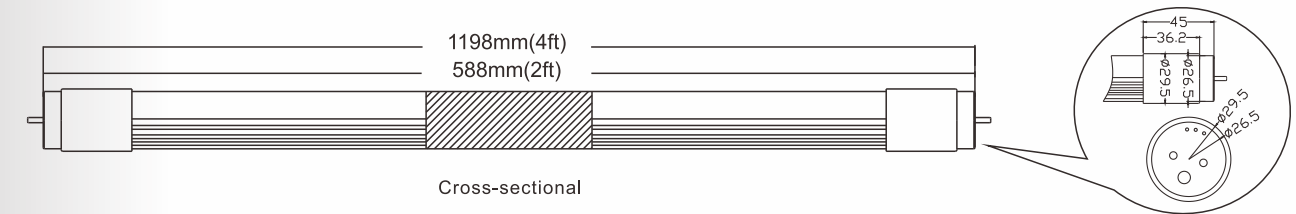
Series Type: S

Features 產品特點 >>

- Uniform light emission
- Retrofit to existing T8 lights on EM
- SPM Design – power circuit protection to cut off individual LEDs when mal-functioned
- Latest LED lighting standard IEC62560, EN62776, EN62493 certified
- Wide angle (300 degrees) for best lighting effect
- 均勻發光
- 對現有的T8燈進行改造
- SPM設計-電源電路保護, 當個別led故障時切斷單個LED電路
- 最新LED照明標準IEC62560、EN62776、EN62493認證
- 廣角(300度)提供最佳照明效果



Flick Free
(無閃頻)
保護視力



Specification 產品規格 >>

Model 型號	Voltage 電壓 (V)	Wattage 功率 (W)	Length 長度 (mm)	Lamp Life 光度壽命 (Hrs)	Colour Temp 色溫 (K)	Lumen Output 輸出流明 (Lm/W)	Color Rendering 顯色度 (CRI)	Lamp Base 燈腳	PCS/CTN 每箱數量 (pcs)
LT-I0609-S128A	100~240	9	600	50000	3000/4000/6500	120	>80	T8,G13	25
LT-I1218-S128A	100~240	18	1200	50000	3000/4000/6500	120	>80	T8,G13	25

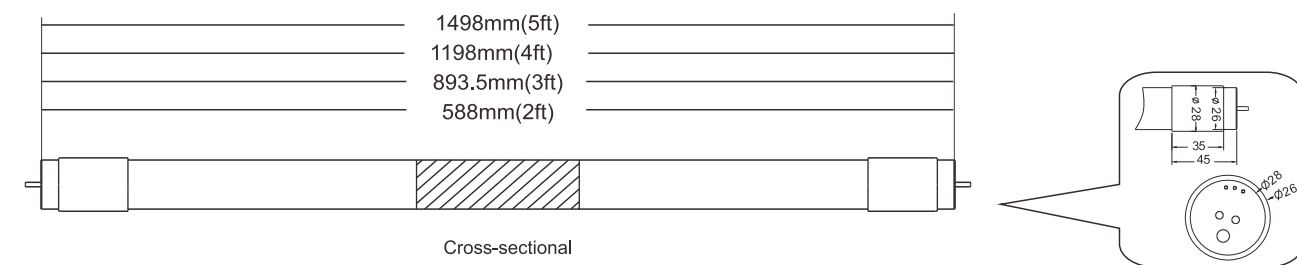
- Light efficiency (lm/W), Power (W), Color Rendering Index (CRI), Can be customized according to customer needs
- Our Standard Power factor (PF) > 0.9 and Total harmonic index THD < 15%, According to customer requirements can produce a lower THD < 10%
- This type of certification is issued by a government-approved laboratory for Safety certification, Fire testing, Restriction of Hazardous Substances (RoHS), Photobiological safety of lamps and lamp systems. (an Exemption Group) and other test certifications to ensure product quality
- 光效 (lm/W)、功率 (W)、顯色指數 (CRI), 可根據客戶需求定制
- 此型號標準之功率因素 (PF) > 0.9, 總諧波指數 THD < 15%, 可按客戶需要生產低總諧波指數 < 10%
- 此型號認證由可實驗室發出之安全認證消防測試, 環保物料 (RoHS), 光生物安全為 Exemption Group 及其它測試, 保證客戶使用更安心滿意

Glass LED T8 Tube

Series Type: G

Features 產品特點 >>

- Uniform light emission
- High luminous output&low power consumption
- Retrofit to existing T8 lights on EM
- SPM design – Power circuit protection to cut off individual LEDs when mal-functioned
- Beam Angl : 300 degree
- 發光均勻
- 高光輸出和低功耗
- 對現有T8燈進行改進
- SPM設計即電源電路保護，在故障時可立即切斷單個LED电路
- 光束角度:300度



Specification 產品規格 >>

Model 型號	Voltage 電壓 (V)	Wattage 功率 (W)	Length 長度 (mm)	Lamp Life 光度壽命 (Hrs)	Colour Temp 色溫 (K)	Lumen Output 輸出流明 (Lm/W)	Color Rendering 顯色度 (CRI)	Lamp Base 燈腳	PCS/CTN 每箱數量 (pcs)
LT-I0609-G128A	100~240	9	600	50000	3000/4000/6500	120	>80	T8,G13	25
LT-I0912-G128A	100~240	12	900	50000	3000/4000/6500	120	>80	T8,G13	25
LT-I1218-G128A	100~240	18	1200	50000	3000/4000/6500	120	>80	T8,G13	25
LT-I1522-G128A	100~240	22	1500	50000	3000/4000/6500	120	>80	T8,G13	25

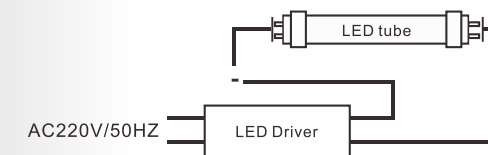
- Light efficiency (lm/W),Power (W),Color Rendering Index (CRI), Can be customized according to customer needs
- Our Standard Power factor (PF) > 0.9 and Total harmonic index THD < 15%, According to customer requirements can produce a lower THD< 10%
- This type of certification is issued by a government-approved laboratory for Safety certification, Fire testing, Restriction of Hazardous Substances(RoHS), Photobiological safety of lamps and lamp systems.(an Exemption Group) and other test certifications to ensure product quality
- 光效 (lm/W)、功率 (W)、顯色指數 (CRI), 可根據客戶需求定制
- 此型號標準之功率因素 (PF)>0.9, 總諧波指數THD<15%, 可按客戶需要生產低總諧波指數< 10%
- 此型號認證由可實驗室發出之安全認證消防測試, 環保物料 (RoHS), 光生物安全為Exemption Group及其它測試, 保證客戶使用更安心滿意

DC LED T8 Tube with External Driver

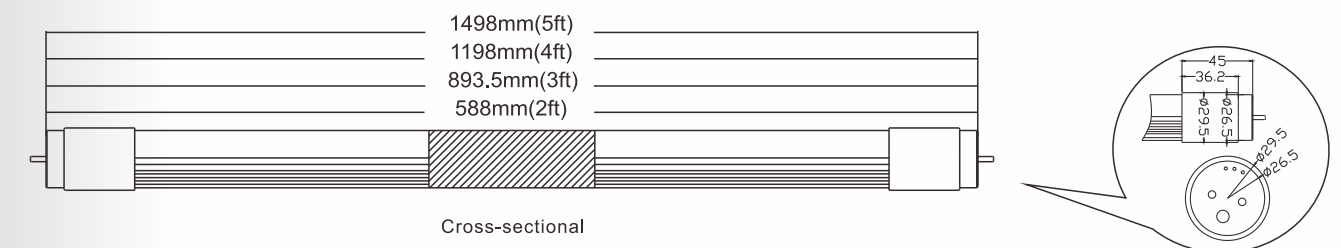
Series Type: R-N

Features 產品特點 >>

- Uniform light emission
- Retrofit to existing T8 lights on EM
- SPM Design – power circuit protection to cut off individual LEDs when mal-functioned
- 發光均勻
- 對現有T8燈進行改進
- SPM設計即電源電路保護，在故障時可立即切斷單個LED电路



Model:LD-LT20



Specification 產品規格 >>

Model 型號	Voltage 電壓 (V)	Wattage 功率 (W)	Length 長度 (mm)	Lamp Life 光度壽命 (Hrs)	Colour Temp 色溫 (K)	Lumen Output 輸出流明 (Lm/W)	Color Rendering 顯色度 (CRI)	Lamp Base 燈腳	PCS/CTN 每箱數量 (pcs)
LT-R0609-N128A	30-42	9	600	50000	3000/4000/6500	120	>80	T8,G13	25
LT-R0912-N128A	30-42	12	900	50000	3000/4000/6500	120	>80	T8,G13	25
LT-R1218-N128A	30-42	18	1200	50000	3000/4000/6500	120	>80	T8,G13	25
LT-R1522-N128A	30-42	22	1500	50000	3000/4000/6500	120	>80	T8,G13	25

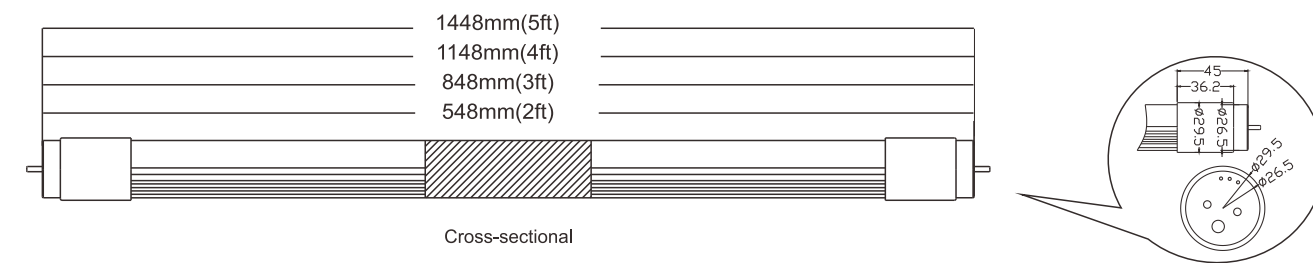
- Light efficiency (lm/W),Power (W),Color Rendering Index (CRI), Can be customized according to customer needs
- Our Standard Power factor (PF) > 0.9 and Total harmonic index THD < 15%, According to customer requirements can produce a lower THD< 10%
- This type of certification is issued by a government-approved laboratory for Safety certification, Fire testing, Restriction of Hazardous Substances(RoHS), Photobiological safety of lamps and lamp systems.(an Exemption Group) and other test certifications to ensure product quality
- 光效 (lm/W)、功率 (W)、顯色指數 (CRI), 可根據客戶需求定制
- 此型號標準之功率因素 (PF)>0.9, 總諧波指數THD<15%, 可按客戶需要生產低總諧波指數< 10%
- 此型號認證由可實驗室發出之安全認證消防測試, 環保物料 (RoHS), 光生物安全為Exemption Group及其它測試, 保證客戶使用更安心滿意

High Performance LED T8-T5 Tube

Series Type: N-T5G5

Features 產品特點 >>

- Uniform light emission
- Retrofit to existing T5 lights
- SPM design-Power circuit protection to cut off individual LEDs when mal-functioned
- T8 tube body to achieve the best lighting effect
- 發光均勻
- 對現有T5燈進行改進
- SPM設計即電源電路保護，在故障時可立即切斷單個LED電路
- T8管體達到最佳照明效果



Specification 產品規格 >>

Model 型號	Voltage 電壓	Wattage 功率	Length 長度	Lamp Life 光度壽命	Colour Temp 色溫	Lumen Output 輸出流明	Color Rendering 顯色度	Lamp Base 燈腳	PCS/CTN 每箱數量
	(V)	(W)	(mm)	(Hrs)	(K)	(Lm/W)	(CRI)		(pcs)
LT-I0609-N128A-T5G5	100~240	9	600	50000	3000/4000/6500	120	>80	T5,G5	25
LT-I0912-N128A-T5G5	100~240	12	900	50000	3000/4000/6500	120	>80	T5,G5	25
LT-I1218-N128A-T5G5	100~240	18	1200	50000	3000/4000/6500	120	>80	T5,G5	25
LT-I1522-N128A-T5G5	100~240	22	1500	50000	3000/4000/6500	120	>80	T5,G5	25

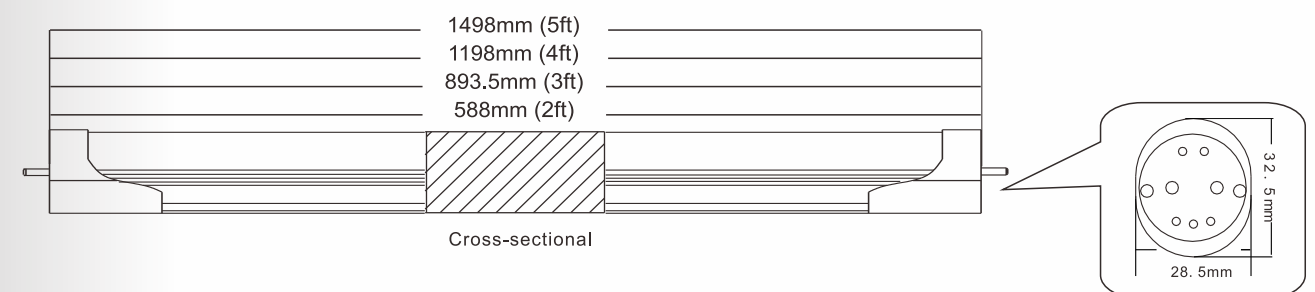
- Light efficiency (lm/W), Power (W), Color Rendering Index (CRI), Can be customized according to customer needs
- Our Standard Power factor (PF) > 0.9 and Total harmonic index THD < 15%, According to customer requirements can produce a lower THD < 10%
- This type of certification is issued by a government-approved laboratory for Safety certification, Fire testing, Restriction of Hazardous Substances (RoHS), Photobiological safety of lamps and lamp systems. (an Exemption Group) and other test certifications to ensure product quality
- 光效 (lm/W)、功率 (W)、顯色指數 (CRI)，可根據客戶需求定制
- 此型號標準之功率因素 (PF) > 0.9，總諧波指數 THD < 15%，可按客戶需要生產低總諧波指數 < 10%
- 此型號認證由可實驗室發出之安全認證消防測試，環保物料 (RoHS)，光生物安全為 Exemption Group 及其它測試，保證客戶使用更安心滿意

High Power LED T8 Tube

Series Type: SP

Features 產品特點 >>

- Uniform light emission
- Retrofit to existing T8 lights on EM
- SPM design-Power circuit protection to cut off individual LEDs when mal-functioned
- High luminous output (100-150lm/W) & high power Maximum 18W /0.6M, 36W/1.2M, 45W/1.5M)
- 發光均勻
- 對現有的T8燈進行改造
- SPM設計即電源電路保護，在故障時可立即切斷單個LED電路
- 高流明輸出 (100-150lm/W) 並且高功率 (最大18W/0.6米, 36W/1.2M, 45W/1.5米)



Specification 產品規格 >>

Model 型號	Voltage 電壓	Wattage 功率	Length 長度	Lamp Life 光度壽命	Colour Temp 色溫	Lumen Output 輸出流明	Color Rendering 顯色度	Lamp Base 燈腳	PCS/CTN 每箱數量
	(V)	(W)	(mm)	(Hrs)	(K)	(Lm/W)	(CRI)		(pcs)
LT-I0618-SP128A	100~240	18	600	50000	3000/4000/6500	120	>80	T8,G13	25
LT-I0921-SP128A	100~240	21	900	50000	3000/4000/6500	120	>80	T8,G13	25
LT-I1228-SP128A	100~240	28	1200	50000	3000/4000/6500	120	>80	T8,G13	25
LT-I1236-SP128A	100~240	36	1200	50000	3000/4000/6500	120	>80	T8,G13	25
LT-I1535-SP128A	100~240	35	1500	50000	3000/4000/6500	120	>80	T8,G13	25
LT-I1545-SP128A	100~240	45	1500	50000	3000/4000/6500	120	>80	T8,G13	25

- Light efficiency (lm/W), Power (W), Color Rendering Index (CRI), Can be customized according to customer needs
- Our Standard Power factor (PF) > 0.9 and Total harmonic index THD < 15%, According to customer requirements can produce a lower THD < 10%
- This type of certification is issued by a government-approved laboratory for Safety certification, Fire testing, Restriction of Hazardous Substances (RoHS), Photobiological safety of lamps and lamp systems. (an Exemption Group) and other test certifications to ensure product quality
- 光效 (lm/W)、功率 (W)、顯色指數 (CRI)，可根據客戶需求定制
- 此型號標準之功率因素 (PF) > 0.9，總諧波指數 THD < 15%，可按客戶需要生產低總諧波指數 < 10%
- 此型號認證由可實驗室發出之安全認證消防測試，環保物料 (RoHS)，光生物安全為 Exemption Group 及其它測試，保證客戶使用更安心滿意

T5 Glass LED Tube

Series Type: I5-G-HP

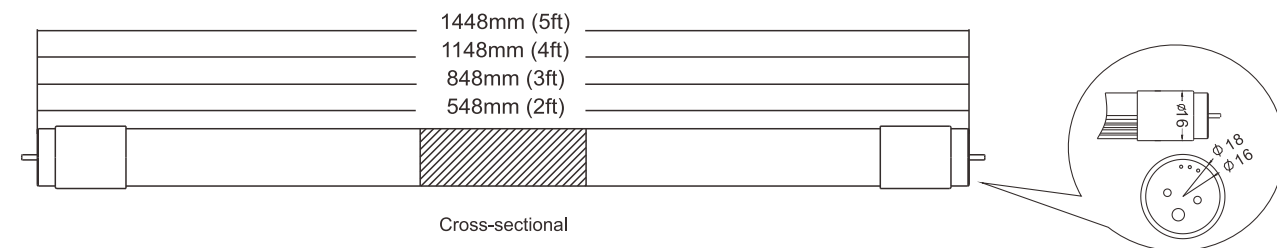


Flick Free
(無閃頻)
保護視力

Features 產品特點 >>

- High power, high light efficiency, high efficiency and durable
- Luminous uniform, no video flash
- SPM Design – power circuit protection to cut off individual LEDs when mal-functioned
- Pure thermal conductive glass tube does not deteriorate yellow, high luminous maintenance rate
- Strong compatibility, easy to install and use, long life
- Suitable for supermarket, garage, home, office, etc

- 大功率, 高光效, 高效耐用
- 發光均勻, 無可視頻閃
- SPM 設計-電源電路保護, 當個別LED故障時切斷單個LED電路
- 純導熱玻璃燈管不劣化發黃, 發光維持率高
- 兼容性強, 安裝使用方便, 壽命超長
- 適用於超市、車庫、家居、辦公室等



Specification 產品規格 >>

Model 型號	Voltage 電壓 (V)	Wattage 功率 (W)	Length 長度 (mm)	Lamp Life 光度壽命 (Hrs)	Colour Temp 色溫 (K)	Lumen Output 輸出流明 (Lm/W)	Color Rendering 顯色度 (CRI)	Lamp Base 燈腳	PCS/CTN 每箱數量 (pcs)
LT-I50608-G148A-HP	100~240	8	600	50000	3000/4000/6000	140	>80	T5,G5	50
LT-I50912-G148A-HP	100~240	12	900	50000	3000/4000/6000	140	>80	T5,G5	50
LT-I51216-G148A-HP	100~240	16	1200	50000	3000/4000/6000	140	>80	T5,G5	50
LT-I51520-G148A-HP	100~240	20	1500	50000	3000/4000/6000	140	>80	T5,G5	50
LT-I51226-G168A-HP	100~240	26	1200	50000	4000/6000	160	>80	T5,G5	50
LT-I51526-G168A-HP	100~240	26	1500	50000	4000/6000	160	>80	T5,G5	50

- Light efficiency (lm/W), Power (W), Color Rendering Index (CRI), Can be customized according to customer needs
- Our Standard Power factor (PF) > 0.9 and Total harmonic index THD < 15%, According to customer requirements can produce a lower THD < 10%
- This type of certification is issued by a government-approved laboratory for Safety certification, Fire testing, Restriction of Hazardous Substances (RoHS), Photobiological safety of lamps and lamp systems. (an Exemption Group) and other test certifications to ensure product quality
- 光效 (lm/W)、功率 (W)、顯色指數 (CRI), 可根據客戶需求定制
- 此型號標準之功率因素 (PF) > 0.9, 總諧波指數 THD < 15%, 可按客戶需要生產低總諧波指數 < 10%
- 此型號認證由可實驗室發出之安全認證消防測試, 環保物料 (RoHS), 光生物安全為 Exemption Group 及其它測試, 保證客戶使用更安心滿意

High Lumen LED T8 Tube

Series Type: L-HL



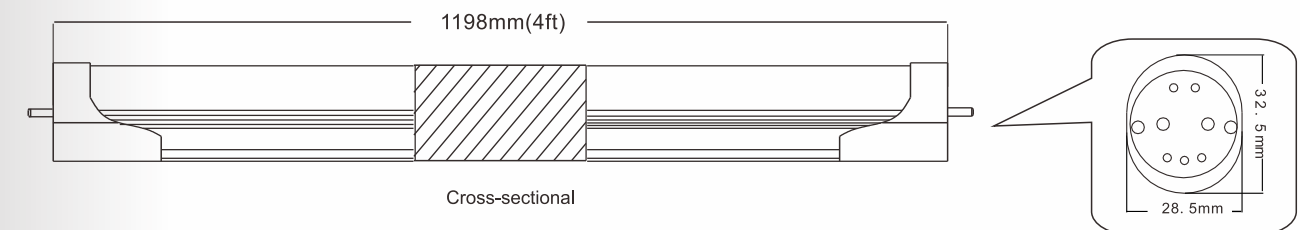
Lumen Output
輸出流明
190_{Lm/W}

Flick Free
(無閃頻)
保護視力

Features 產品特點 >>

- Uniform light emission
- Retrofit to existing T8 lights
- SPM Design – power circuit protection to cut off individual LEDs when mal-functioned
- T8 tube body to achieve the best lighting effect
- It save 80% energy than traditional fluorescent lamp

- 發光均勻
- 對現有的T8燈進行改造
- SPM設計即電源電路保護, 在故障時可立即切斷單個LED電路
- T8管體達到最佳照明效果
- 比傳統熒光燈節能80%



Specification 產品規格 >>

Model 型號	Voltage 電壓 (V)	Wattage 功率 (W)	Length 長度 (mm)	Lamp Life 光度壽命 (Hrs)	Colour Temp 色溫 (K)	Lumen Output 輸出流明 (Lm/W)	Color Rendering 顯色度 (CRI)	Lamp Base 燈腳	PCS/CTN 每箱數量 (pcs)
LT-I1218-L197A-HL	100~240	18	1200	50000	4000/6500	190	>70	T8,G13	25

- Light efficiency (lm/W), Power (W), Color Rendering Index (CRI), Can be customized according to customer needs
- Our Standard Power factor (PF) > 0.9 and Total harmonic index THD < 15%, According to customer requirements can produce a lower THD < 10%
- This type of certification is issued by a government-approved laboratory for Safety certification, Fire testing, Restriction of Hazardous Substances (RoHS), Photobiological safety of lamps and lamp systems. (an Exemption Group) and other test certifications to ensure product quality
- 光效 (lm/W)、功率 (W)、顯色指數 (CRI), 可根據客戶需求定制
- 此型號標準之功率因素 (PF) > 0.9, 總諧波指數 THD < 15%, 可按客戶需要生產低總諧波指數 < 10%
- 此型號認證由可實驗室發出之安全認證消防測試, 環保物料 (RoHS), 光生物安全為 Exemption Group 及其它測試, 保證客戶使用更安心滿意

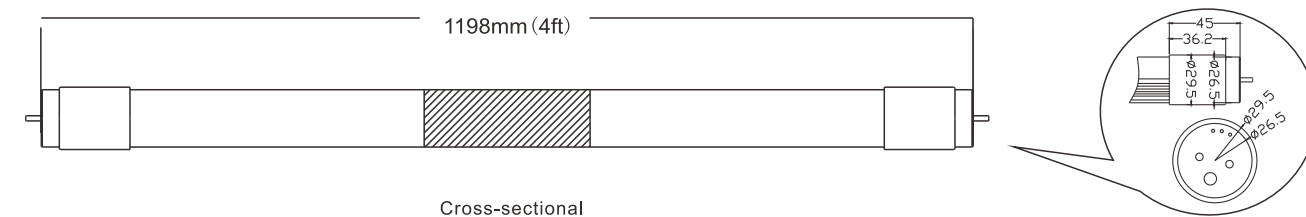
Full Spectrum LED T8 Tube

Series Type: N-FS

Features 產品特點 >>

- Can simulate natural light and improve circadian rhythm
- Can reduce eye fatigue and improve overall visual comfort
- Using 2835 size package mode, R1-R15>90 or R1-R15>95 two options
- RGO certification provides light efficiency requirements and effective guarantee for various lighting needs
- It is suitable for classroom, office, meeting room, etc

- 可以模擬自然光,改善晝夜節律
- 可減少眼睛疲勞,提高整體視覺舒適度
- 採用2835尺寸封裝模式, R1-R15>90及R1-R15>95兩種方案選擇
- RGO認證,為各類照明需求提供光效需求和有效保障
- 適用於學校教室、辦公場所、會議室等



Specification 產品規格 >>

Model 型號	Voltage 電壓 (V)	Wattage 功率 (W)	Length 長度 (mm)	Lamp Life 光度壽命 (Hrs)	Colour Temp 色溫 (K)	Lumen Output 輸出流明 (Lm/W)	Color Rendering 顯色度 (CRI)	Lamp Base 燈腳	PCS/CTN 每箱數量 (pcs)
LT-I1218-N898A-FS	100~240	18	1200	50000	3000/4000/6500	80	>98	T8,G13	25

- Light efficiency (lm/W), Power (W), Color Rendering Index (CRI), Can be customized according to customer needs
- Our Standard Power factor (PF) > 0.9 and Total harmonic index THD < 15%, According to customer requirements can produce a lower THD < 10%
- This type of certification is issued by a government-approved laboratory for Safety certification, Fire testing, Restriction of Hazardous Substances (RoHS), Photobiological safety of lamps and lamp systems. (an Exemption Group) and other test certifications to ensure product quality

- 光效 (lm/W)、功率 (W)、顯色指數 (CRI), 可根據客戶需求定制
- 此型號標準之功率因素 (PF) > 0.9, 總諧波指數 THD < 15%, 可按客戶需要生產低總諧波指數 < 10%
- 此型號認證由可實驗室發出之安全認證消防測試, 環保物料 (RoHS), 光生物安全為 Exemption Group 及其它測試, 保證客戶使用更安心滿意

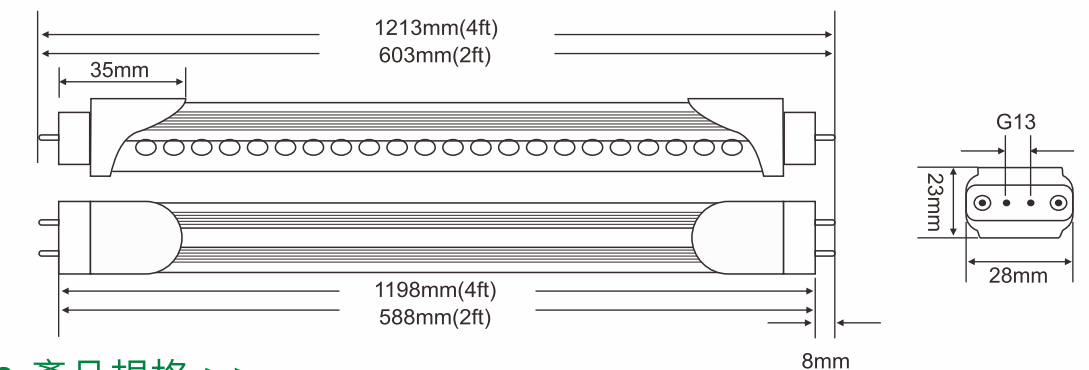
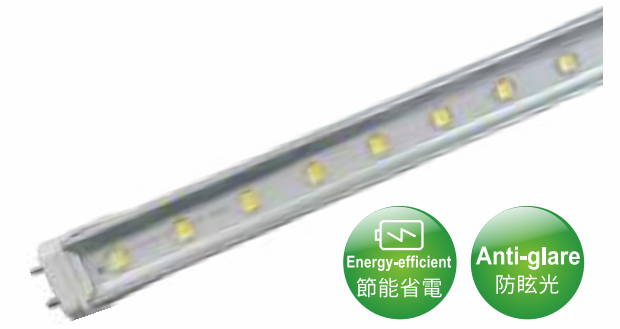
T8 Ultra-energy-saving Anti-glare LED TUBE

Series Type: SL

Features 產品特點 >>

- Compared with the LED lamp, the power is 20W, saving 300% energy, high brightness, and even light output
- Anti dazzle design, dazzle value UGR is less than 19
- Instant start, no flickering, no humming
- Special circuit design, each group of LEDs work separately, avoiding any problem of lighting output caused or influenced by single faulty LED
- It is resistant to radio interference and does not flicker when used in large quantities.
- Applicable to: production line, underground garage, commercial purposes

- 對比LED燈管功率20W,節省300%能源,亮度高,出光均勻
- 防眩目設計,眩目值UGR小於19
- 啟動快,沒有閃爍現象,沒有噪音
- 專業電路設計,每組燈獨立工作,可避免單一的壞燈影響整體的出光效果
- 抗電波干擾,大批量使用不閃爍
- 適用於:生產線,地下車庫,商業用途



Specification 產品規格 >>

Model 型號	Voltage 電壓 (V)	Wattage 功率 (W)	Length 長度 (mm)	Lamp Life 光度壽命 (Hrs)	Colour Temp 色溫 (K)	Lumen Output 輸出流明 (Lm/W)	Color Rendering 顯色度 (CRI)	Lamp Base 燈腳	PCS/CTN 每箱數量 (pcs)
LT-I0609-SL	90-265	3	600	50000	3000-6500	160	>80	T8,G13	30
LT-I1218-SL	90-265	6	1200	50000	3000-6500	160	>80	T8,G13	30

- Light efficiency (lm/W), Power (W), Color Rendering Index (CRI), Can be customized according to customer needs
- Our Standard Power factor (PF) > 0.9 and Total harmonic index THD < 15%, According to customer requirements can produce a lower THD < 10%
- This type of certification is issued by a government-approved laboratory for Safety certification, Fire testing, Restriction of Hazardous Substances (RoHS), Photobiological safety of lamps and lamp systems. (an Exemption Group) and other test certifications to ensure product quality

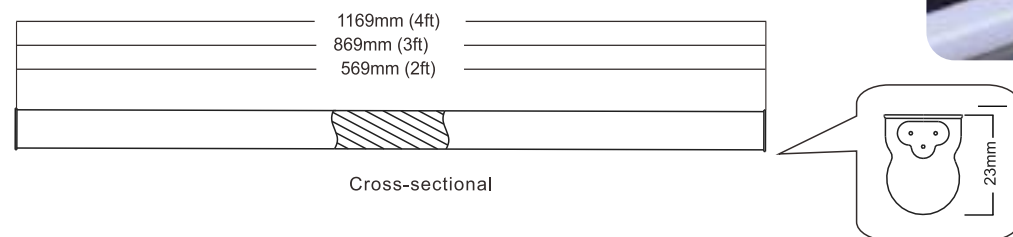
- 光效 (lm/W)、功率 (W)、顯色指數 (CRI), 可根據客戶需求定制
- 此型號標準之功率因素 (PF) > 0.9, 總諧波指數 THD < 15%, 可按客戶需要生產低總諧波指數 < 10%
- 此型號認證由可實驗室發出之安全認證消防測試, 環保物料 (RoHS), 光生物安全為 Exemption Group 及其它測試, 保證客戶使用更安心滿意

T5 Integrated LED Tube

Series Type: IB

Features 產品特點 >>

- T5 integrated tube with internal driver stand
- Tubes linked together by plugs or cables
- Seamless lighting output, No dark spot seen
- Ideal for using in light troughs
- 帶內部驅動器支架的T5集成管
- 通過插頭或電纜連接在一起的管子
- 無縫照明輸出，無暗點
- 適用於淺槽



Specification 產品規格 >>

Model 型號	Voltage 電壓	Wattage 功率	Length 長度	Lamp Life 光度壽命	Colour Temp 色溫	Lumen Output 輸出流明	Color Rendering 顯色度	PCS/CTN 每箱數量
	(V)	(W)	(mm)	(Hrs)	(K)	(Lm/W)	(CRI)	(pcs)
LT-I0609-IB128A	100~240	9	600	50000	3000/4000/6500	120	>80	25
LT-I0912-IB128A	100~240	12	900	50000	3000/4000/6500	120	>80	25
LT-I1216-IB128A	100~240	16	1200	50000	3000/4000/6500	120	>80	25

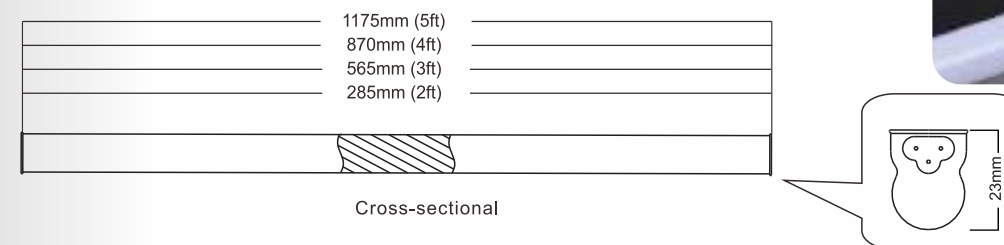
- Light efficiency (lm/W), Power (W), Color Rendering Index (CRI), Can be customized according to customer needs
- Our Standard Power factor (PF) > 0.9 and Total harmonic index THD < 15%, According to customer requirements can produce a lower THD < 10%
- This type of certification is issued by a government-approved laboratory for Safety certification, Fire testing, Restriction of Hazardous Substances (RoHS), Photobiological safety of lamps and lamp systems. (an Exemption Group) and other test certifications to ensure product quality
- 光效 (lm/W)、功率 (W)、顯色指數 (CRI)，可根據客戶需求定制
- 此型號標準之功率因素 (PF) > 0.9，總諧波指數 THD < 15%，可按客戶需要生產低總諧波指數 < 10%
- 此型號認證由可實驗室發出之安全認證消防測試，環保物料 (RoHS)，光生物安全為 Exemption Group 及其它測試，保證客戶使用更安心滿意

T5 Integrated LED Tube & Switch

Series Type: IB-S

Features 產品特點 >>

- T5 integrated tube with internal driver stand
- Tubes linked together by plugs or cables
- Seamless lighting output, No dark spot seen
- Ideal for using in light troughs
- With on / off switch
- 帶內部驅動器支架的T5集成管
- 通過插頭或電纜連接在一起的管子
- 無縫照明輸出，無暗點
- 適用於淺槽
- 帶開關



Specification 產品規格 >>

Model 型號	Voltage 電壓	Wattage 功率	Length 長度	Lamp Life 光度壽命	Colour Temp 色溫	Lumen Output 輸出流明	Color Rendering 顯色度	PCS/CTN 每箱數量
	(V)	(W)	(mm)	(Hrs)	(K)	(Lm/W)	(CRI)	(pcs)
LT-I0606-IB128A-S	100~240	4	300	50000	3000/4000/6500	120	>80	25
LT-I0609-IB128A-S	100~240	8	600	50000	3000/4000/6500	120	>80	25
LT-I0912-IB128A-S	100~240	12	900	50000	3000/4000/6500	120	>80	25
LT-I1216-IB128A-S	100~240	16	1200	50000	3000/4000/6500	120	>80	25

- Light efficiency (lm/W), Power (W), Color Rendering Index (CRI), Can be customized according to customer needs
- Our Standard Power factor (PF) > 0.9 and Total harmonic index THD < 15%, According to customer requirements can produce a lower THD < 10%
- This type of certification is issued by a government-approved laboratory for Safety certification, Fire testing, Restriction of Hazardous Substances (RoHS), Photobiological safety of lamps and lamp systems. (an Exemption Group) and other test certifications to ensure product quality
- 光效 (lm/W)、功率 (W)、顯色指數 (CRI)，可根據客戶需求定制
- 此型號標準之功率因素 (PF) > 0.9，總諧波指數 THD < 15%，可按客戶需要生產低總諧波指數 < 10%
- 此型號認證由可實驗室發出之安全認證消防測試，環保物料 (RoHS)，光生物安全為 Exemption Group 及其它測試，保證客戶使用更安心滿意

Sensor Lighting

傳感器應用照明

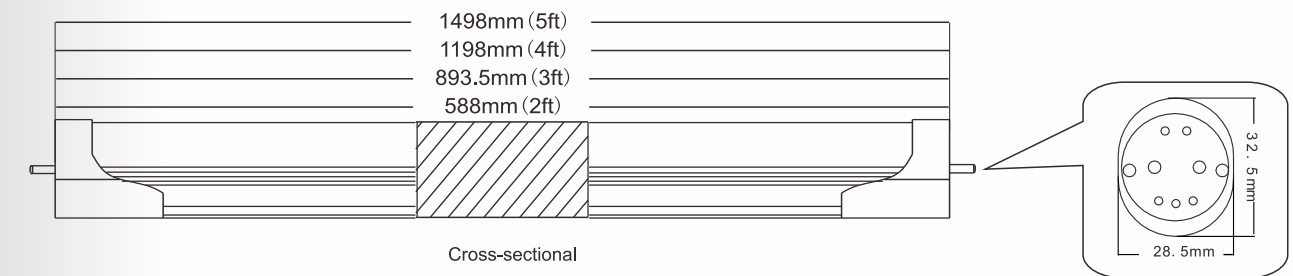
Microwave Sensor LED T8 Tube

Series Type: M

Features 產品特點 >>

- Microwave controlled internal sensor detection distance of 6-8M
- Full lumen in activation mode 30% lumen in standby mode
- Direct replacement of FL tubes in electro-magnetic ballast fitting
- SPM Design – power circuit protection to cut off individual LEDs when mal-functioned
- Exit time 15s-60mins
- Emergency option available: compatible in use with most emergency battery brands & comply with part A11 of FSD regulation PPA104

- 微波控制內部感測器,感測器檢測距離6-8米
- 啟動模式下為全流明,待機模式下為30%流明
- 可直接更換電磁鎮流器配件中的FL管
- SPM設計-電源電路保護,當個別led故障時切斷單個LED電路
- 退出時間15-60分鐘
- 提供應急選項:與大多數應急電池品牌相容,並符合FSD法規PPA104第A11部分



Specification 產品規格 >>

Model 型號	Voltage 電壓 (V)	Wattage 功率 (W)	Length 長度 (mm)	Lamp Life 光度壽命 (Hrs)	Colour Temp 色溫 (K)	Lumen Output 輸出流明 (Lm/W)	Color Rendering 顯色度 (CRI)	Lamp Base 燈腳	PCS/CTN 每箱數量 (pcs)
LT-I0609-M128A	100~240	9	600	50000	3000/4000/6500	120	>80	T8,G13	25
LT-I0912-M128A	100~240	12	900	50000	3000/4000/6500	120	>80	T8,G13	25
LT-I1218-M128A	100~240	18	1200	50000	3000/4000/6500	120	>80	T8,G13	25
LT-I1522-M128A	100~240	22	1500	50000	3000/4000/6500	120	>80	T8,G13	25

- Light efficiency (lm/W), Power (W), Color Rendering Index (CRI), Can be customized according to customer needs
- Our Standard Power factor (PF) > 0.9 and Total harmonic index THD < 15%, According to customer requirements can produce a lower THD < 10%
- This type of certification is issued by a government-approved laboratory for Safety certification, Fire testing, Restriction of Hazardous Substances (RoHS), Photobiological safety of lamps and lamp systems. (an Exemption Group) and other test certifications to ensure product quality
- 光效 (lm/W)、功率 (W)、顯色指數 (CRI), 可根據客戶需求定制
- 此型號標準之功率因素 (PF) > 0.9, 總諧波指數 THD < 15%, 可按客戶需要生產低總諧波指數 < 10%
- 此型號認證由可實驗室發出之安全認證消防測試, 環保物料 (RoHS), 光生物安全為 Exemption Group 及其它測試, 保證客戶使用更安心滿意



Infrared Sensor LED T8 Tube

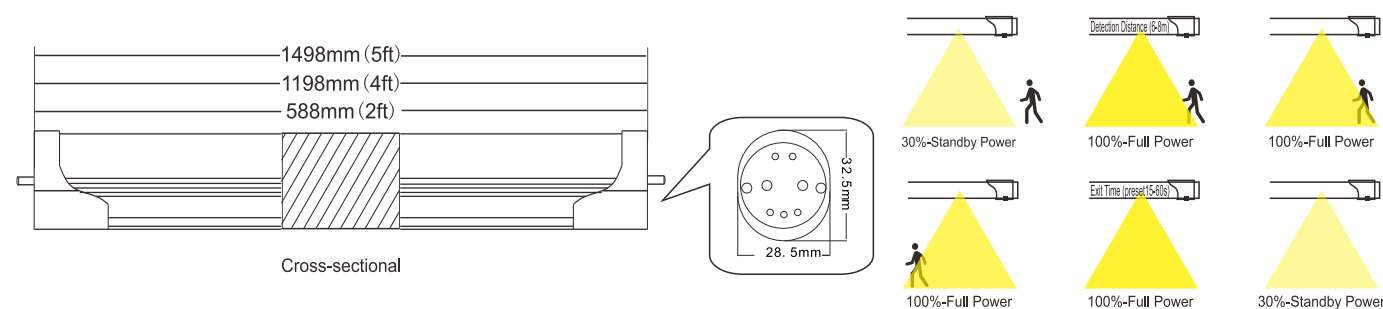
Series Type: IR



Flick Free
(無閃頻)
保護視力

Features 產品特點 >>

- Uniform light emission
- High luminous output & low power consumption
- SPM design – Power circuit protection to cut off individual LEDs when mal-functioned
- Exit Time 15-60 seconds
- Detection distance(6-8m)
- 發光均勻
- 高流明輸出的同時低功耗
- SPM設計即電源電路保護, 在故障時可立即切斷單個LED電路
- 退出時間15-60秒
- 探測距離 (6-8米)



Specification 產品規格 >>

Model 型號	Voltage 電壓 (V)	Wattage 功率 (W)	Length 長度 (mm)	Lamp Life 光度壽命 (Hrs)	Colour Temp 色溫 (K)	Lumen Output 輸出流明 (Lm/W)	Color Rendering 顯色度 (CRI)	PCS/CTN 每箱數量 (pcs)
LT-I0609-IR128A	100~240	9	600	50000	6000	120	>80	25
LT-I1218-IR128A	100~240	18	1200	50000	6000	120	>80	25
LT-I1522-IR128A	100~240	22	1500	50000	6000	120	>80	25

- Light efficiency (lm/W), Power (W), Color Rendering Index (CRI), Can be customized according to customer needs
- Our Standard Power factor (PF) > 0.9 and Total harmonic index THD < 15%, According to customer requirements can produce a lower THD < 10%
- This type of certification is issued by a government-approved laboratory for Safety certification, Fire testing, Restriction of Hazardous Substances (RoHS), Photobiological safety of lamps and lamp systems. (an Exemption Group) and other test certifications to ensure product quality
- 光效 (lm/W)、功率 (W)、顯色指數 (CRI), 可根據客戶需求定制
- 此型號標準之功率因素 (PF) > 0.9, 總諧波指數 THD < 15%, 可按客戶需要生產低總諧波指數 < 10%
- 此型號認證由可實驗室發出之安全認證消防測試, 環保物料 (RoHS), 光生物安全為 Exemption Group 及其它測試, 保證客戶使用更安心滿意

Sound Control LED T8 Tube

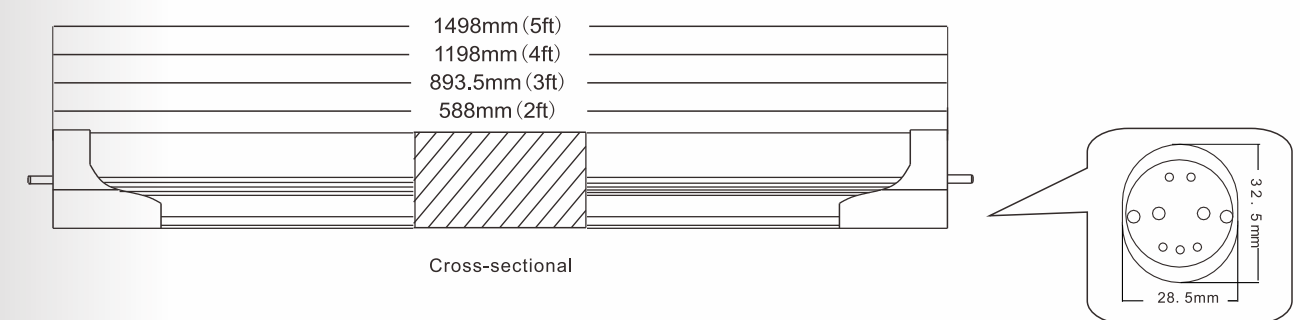
Series Type: V



Flick Free
(無閃頻)
保護視力

Features 產品特點 >>

- Uniform light emission
- SPM design – Power circuit protection to cut off individual LEDs when mal-functioned
- Exit Time 15-60 seconds
- Sound sensitivity 35 - 60B(decibel)
- 發光均勻
- SPM設計即電源電路保護, 在故障時可立即切斷單個LED電路
- 退出時間15-60秒
- 聲音靈敏度35-60B(分貝)



Specification 產品規格 >>

Model 型號	Voltage 電壓 (V)	Wattage 功率 (W)	Length 長度 (mm)	Lamp Life 光度壽命 (Hrs)	Colour Temp 色溫 (K)	Lumen Output 輸出流明 (Lm/W)	Lamp Base 顯色度 (CRI)	PCS/CTN 每箱數量 (pcs)
LT-I0609-V128A	100~240	9	600	50000	3000/4000/6500	120	>80	25
LT-I0912-V128A	100~240	12	900	50000	3000/4000/6500	120	>80	25
LT-I1218-V128A	100~240	18	1200	50000	3000/4000/6500	120	>80	25
LT-I1522-V128A	100~240	22	1500	50000	3000/4000/6500	120	>80	25

- Light efficiency (lm/W), Power (W), Color Rendering Index (CRI), Can be customized according to customer needs
- Our Standard Power factor (PF) > 0.9 and Total harmonic index THD < 15%, According to customer requirements can produce a lower THD < 10%
- This type of certification is issued by a government-approved laboratory for Safety certification, Fire testing, Restriction of Hazardous Substances (RoHS), Photobiological safety of lamps and lamp systems. (an Exemption Group) and other test certifications to ensure product quality
- 光效 (lm/W)、功率 (W)、顯色指數 (CRI), 可根據客戶需求定制
- 此型號標準之功率因素 (PF) > 0.9, 總諧波指數 THD < 15%, 可按客戶需要生產低總諧波指數 < 10%
- 此型號認證由可實驗室發出之安全認證消防測試, 環保物料 (RoHS), 光生物安全為 Exemption Group 及其它測試, 保證客戶使用更安心滿意

Photosensor LED T8 Tube

Series Type:PS

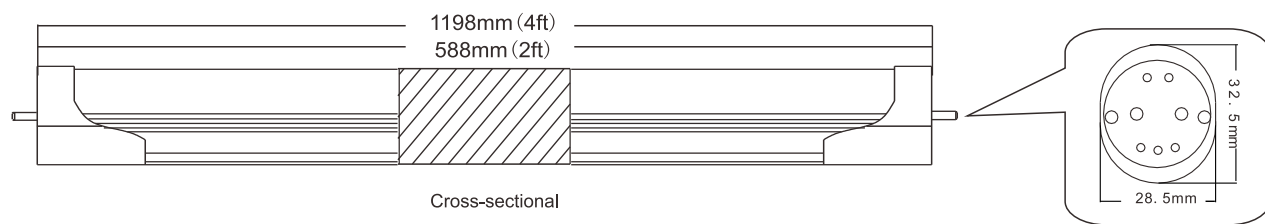
Features 產品特點 >>

- Uniform light emission
- Retrofit to existing T8 lights on EM
- SPM Design – power circuit protection to cut off individual LEDs when mal-functioned
- Function: the light control probe senses the brightness of the surrounding environment in real time. According to the intensity of the brightness of the environment, it is divided into two sections of light output. When the light is strong, it is output at 30% power (can be designed) and when the light is weak, it is output at 100% power.

- 發光均勻
- 對現有的T8燈進行改造
- SPM設計即電源電路保護,在故障時可立即切斷單個LED电路
- 功能:光控探頭實時感應周圍環境亮度,根據環境亮度的強弱分2段光輸出,光線較強時以30%功率(可指定設計)輸出,光線較弱時100%功率輸出。



Flick Free
(無閃頻)
保護視力



Specification 產品規格 >>

Model 型號	Voltage 電壓 (V)	Wattage 功率 (W)	Length 長度 (mm)	Lamp Life 光度壽命 (Hrs)	Colour Temp 色溫 (K)	Lumen Output 輸出流明 (Lm/W)	Color Rendering 顯色度 (CRI)	Lamp Base 燈腳	PCS/CTN 每箱數量 (pcs)
LT-I0609-PS128A	100~240	9	600	50000	3000/4000/6500	120	>80	T8,G13	25
LT-I1218-PS128A	100~240	18	1200	50000	3000/4000/6500	120	>80	T8,G13	25

- Light efficiency (lm/W), Power (W), Color Rendering Index (CRI), Can be customized according to customer needs
- Our Standard Power factor (PF) > 0.9 and Total harmonic index THD < 15%, According to customer requirements can produce a lower THD < 10%
- This type of certification is issued by a government-approved laboratory for Safety certification, Fire testing, Restriction of Hazardous Substances (RoHS), Photobiological safety of lamps and lamp systems. (an Exemption Group) and other test certifications to ensure product quality
- 光效 (lm/W)、功率 (W)、顯色指數 (CRI), 可根據客戶需求定制
- 此型號標準之功率因素 (PF) > 0.9, 總諧波指數 THD < 15%, 可按客戶需要生產低總諧波指數 < 10%
- 此型號認證由可實驗室發出之安全認證消防測試, 環保物料 (RoHS), 光生物安全為 Exemption Group 及其它測試, 保證客戶使用更安心滿意

Photosensor & Timer ON/OFF T8 Tube

Series Type:PS-T

Features 產品特點 >>

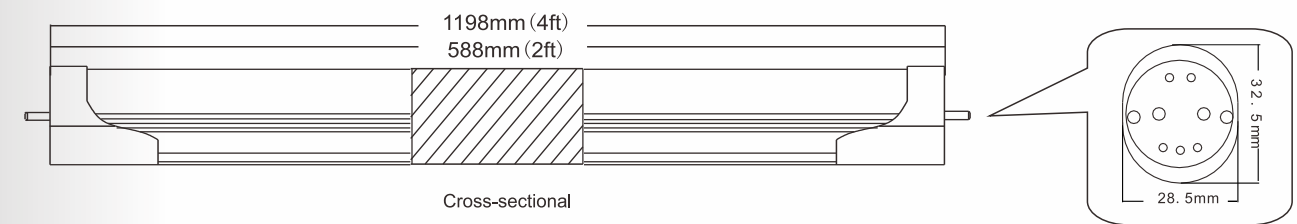
- Uniform light emission
- SPM design-Power circuit protection to cut off individual LEDs when mal-functioned
- Function: the light control probe senses the brightness of the surrounding environment in real time. According to the intensity of the brightness of the environment, it is divided into two sections of light output. When the light is strong, it is output at 30% power (can be designed) and when the light is weak, it is output at 100% power.

- 發光均勻
- SPM設計即電源電路保護,在故障時可立即切斷單個LED电路
- 功能:光控探頭實時感應周圍環境亮度,根據環境亮度的強弱分2段光輸出,光線較強時以30%功率(可指定設計)輸出,光線較弱時100%功率輸出。



光控
+
時間控制

Flick Free
(無閃頻)
保護視力



Specification 產品規格 >>

Model 型號	Voltage 電壓 (V)	Wattage 功率 (W)	Length 長度 (mm)	Lamp Life 光度壽命 (Hrs)	Colour Temp 色溫 (K)	Lumen Output 輸出流明 (Lm/W)	Color Rendering 顯色度 (CRI)	Lamp Base 燈腳	PCS/CTN 每箱數量 (pcs)
LT-I0609-PS-T128A	100~240	9	600	50000	3000/4000/6500	120	>80	T8,G13	25
LT-I1218-PS-T128A	100~240	18	1200	50000	3000/4000/6500	120	>80	T8,G13	25

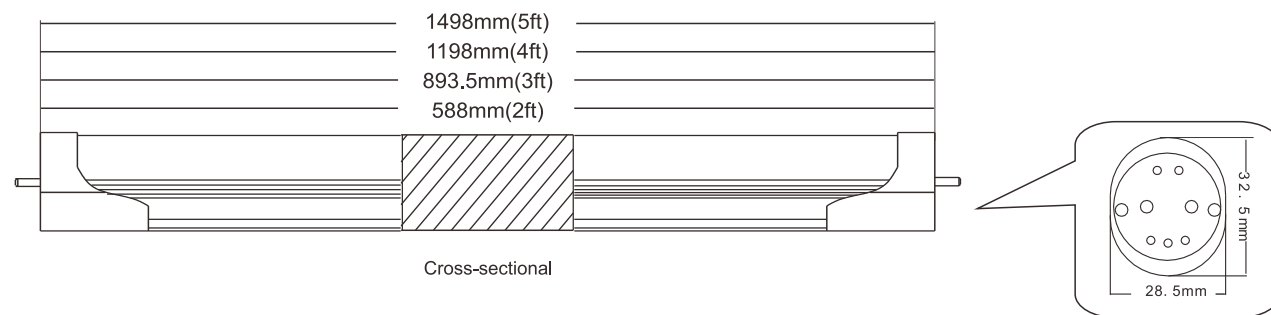
- Light efficiency (lm/W), Power (W), Color Rendering Index (CRI), Can be customized according to customer needs
- Our Standard Power factor (PF) > 0.9 and Total harmonic index THD < 15%, According to customer requirements can produce a lower THD < 10%
- This type of certification is issued by a government-approved laboratory for Safety certification, Fire testing, Restriction of Hazardous Substances (RoHS), Photobiological safety of lamps and lamp systems. (an Exemption Group) and other test certifications to ensure product quality
- 光效 (lm/W)、功率 (W)、顯色指數 (CRI), 可根據客戶需求定制
- 此型號標準之功率因素 (PF) > 0.9, 總諧波指數 THD < 15%, 可按客戶需要生產低總諧波指數 < 10%
- 此型號認證由可實驗室發出之安全認證消防測試, 環保物料 (RoHS), 光生物安全為 Exemption Group 及其它測試, 保證客戶使用更安心滿意

Antiference Microwave Sensor LED T8 Tube

Series Type: M-AI

Features 產品特點 >>

- Anti-interference design -2 pcs microwave sensor tubes put into double tube batten, In close area not interfere each other
- Sensor detection distance of 6-8 meter, Full lumen in activation mode, 30% lumen in standby mode
- No interference from heat source and light source, high stability, long sensing distance
- It has high sensitivity and no blind area. When there is an object moving, it will be sensed
- Easy to install, strong hiding ability, can penetrate acrylic and other panels
- 抗干擾設計,可以在雙支架下,近距離放二隻微波燈管,而不相互干擾
- 感測器探測距離6-8米,啟動模式下全流明,待機模式下30%流明
- 不受熱源和光源干擾,穩定性高,感應距離遠
- 感應靈敏度高,無盲區,有物體移動就會感應
- 便於安裝,隱蔽性強,可穿透亞克力等面板



Specification 產品規格 >>

Model 型號	Voltage 電壓 (V)	Wattage 功率 (W)	Length 長度 (mm)	Lamp Life 光度壽命 (Hrs)	Colour Temp 色溫 (K)	Lumen Output 輸出流明 (Lm/W)	Color Rendering 顯色度 (CRI)	Lamp Base 燈腳	PCS/CTN 每箱數量 (pcs)
LT-I0609-M128A-AI	100~240	9	600	50000	3000/4000/6500	120	>80	T8,G13	25
LT-I0912-M128A-AI	100~240	12	900	50000	3000/4000/6500	120	>80	T8,G13	25
LT-I1218-M128A-AI	100~240	18	1200	50000	3000/4000/6500	120	>80	T8,G13	25
LT-I1522-M128A-AI	100~240	22	1500	50000	3000/4000/6500	120	>80	T8,G13	25

- Light efficiency (lm/W), Power (W), Color Rendering Index (CRI), Can be customized according to customer needs
- Our Standard Power factor (PF) > 0.9 and Total harmonic index THD < 15%, According to customer requirements can produce a lower THD < 10%
- This type of certification is issued by a government-approved laboratory for Safety certification, Fire testing, Restriction of Hazardous Substances (RoHS), Photobiological safety of lamps and lamp systems. (an Exemption Group) and other test certifications to ensure product quality
- 光效 (lm/W)、功率 (W)、顯色指數 (CRI), 可根據客戶需求定制
- 此型號標準之功率因素 (PF) > 0.9, 總諧波指數 THD < 15%, 可按客戶需要生產低總諧波指數 < 10%
- 此型號認證由可實驗室發出之安全認證消防測試, 環保物料 (RoHS), 光生物安全為 Exemption Group 及其它測試, 保證客戶使用更安心滿意

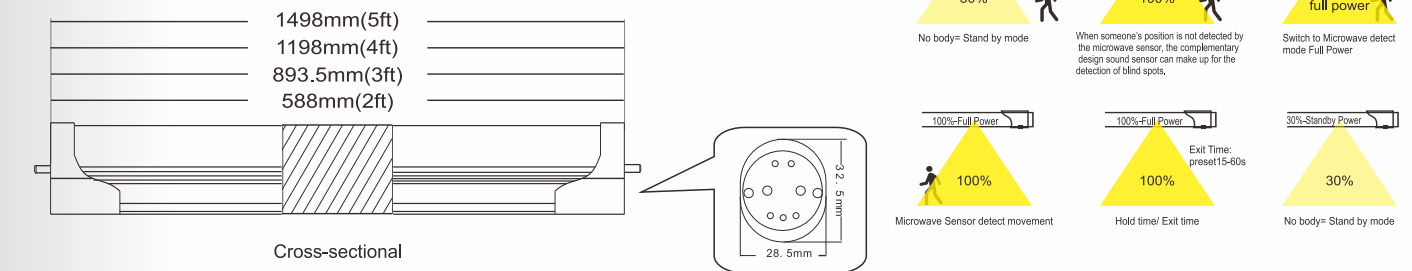
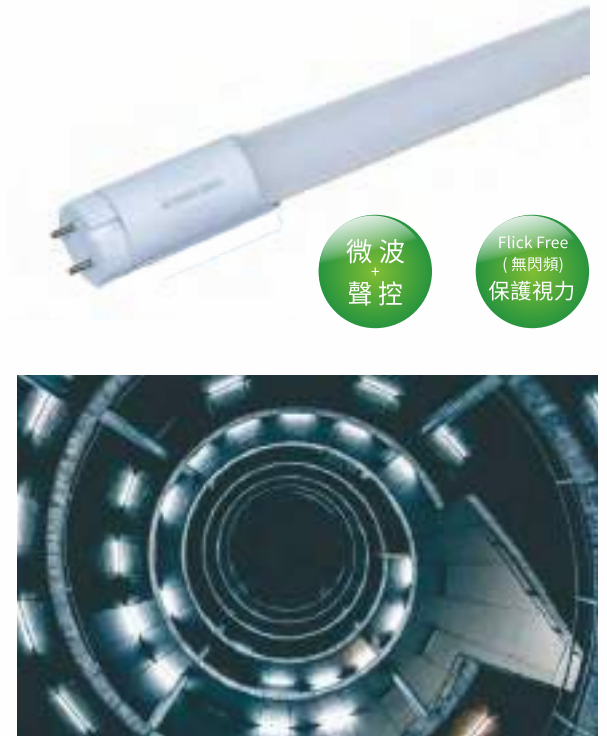
Microwave Sensor+Sound Control LED T8 Tube

Series Type: MV

Features 產品特點 >>

- Uniform light emission
- SPM design – Power circuit protection to cut off individual LEDs when malfunctioned
- Exit Time 15-60 seconds, Sound sensitivity 35-60B (decibel)
- Microwave controlled internal sensor, sensor detection distance of 6-8M
- Full lumen in activation mode, 30% lumen in standby mode
- Direct replacement of FL tubes in electro-magnetic ballast fitting
- Emergency option available: compatible in use with most emergency battery brands & comply with part A of FSD regulation PPA104

- 均勻發光
- SPM設計即電源電路保護,在故障時可立即切斷單個LED電路
- 退出時間15-60秒,聲音靈敏度35-60B(分貝)
- 微波控制內部感測器,感測器探測距離6-8米,啟動模式下全流明,待機模式下30%流明
- 直接更換熒光燈管電磁鎮流器配件
- 提供應急選項:與大多數應急電池品牌相容,並符合FSD法規PPA104第A11部分



Specification 產品規格 >>

Model 型號	Voltage 電壓 (V)	Wattage 功率 (W)	Length 長度 (mm)	Lamp Life 光度壽命 (Hrs)	Colour Temp 色溫 (K)	Lumen Output 輸出流明 (Lm/W)	Color Rendering 顯色度 (CRI)	Lamp Base 燈腳	PCS/CTN 每箱數量 (pcs)
LT-I0609-MV128A	100~240	9	600	50000	3000/4000/6500	120	>80	T8,G13	25
LT-I0912-MV128A	100~240	12	900	50000	3000/4000/6500	120	>80	T8,G13	25
LT-I1218-MV128A	100~240	18	1200	50000	3000/4000/6500	120	>80	T8,G13	25
LT-I1522-MV128A	100~240	22	1500	50000	3000/4000/6500	120	>80	T8,G13	25

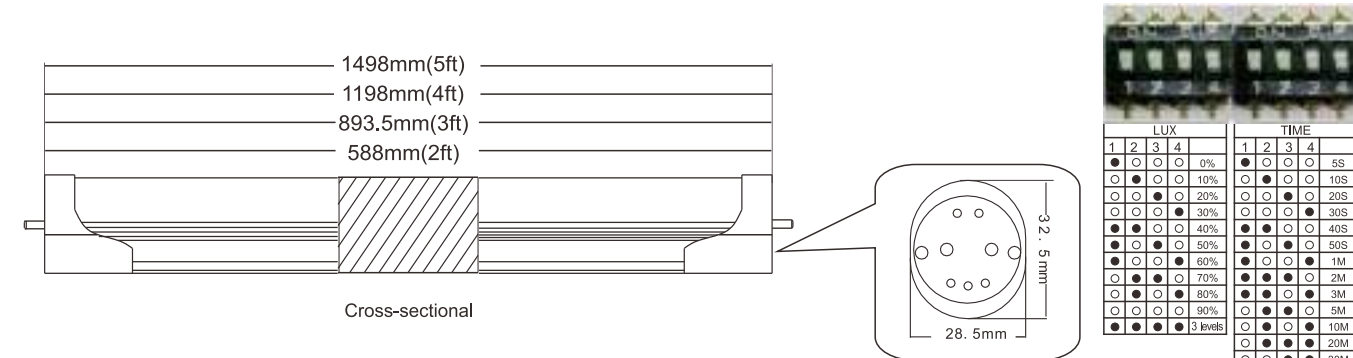
- Light efficiency (lm/W), Power (W), Color Rendering Index (CRI), Can be customized according to customer needs
- Our Standard Power factor (PF) > 0.9 and Total harmonic index THD < 15%, According to customer requirements can produce a lower THD < 10%
- This type of certification is issued by a government-approved laboratory for Safety certification, Fire testing, Restriction of Hazardous Substances (RoHS), Photobiological safety of lamps and lamp systems. (an Exemption Group) and other test certifications to ensure product quality
- 光效 (lm/W)、功率 (W)、顯色指數 (CRI), 可根據客戶需求定制
- 此型號標準之功率因素 (PF) > 0.9, 總諧波指數 THD < 15%, 可按客戶需要生產低總諧波指數 < 10%
- 此型號認證由可實驗室發出之安全認證消防測試, 環保物料 (RoHS), 光生物安全為 Exemption Group 及其它測試, 保證客戶使用更安心滿意

Programmable Microwave Sensor LED T8 Tube

Series Type: PM

Features 產品特點 >>

- Microwave controlled internal sensor
- Sensor detection distance of 3-8 meter (user selectable)
- 0%-90% lumen in standby mode (user selectable)
- 5s-60mins Delay/exit time in standby mode
- SPM Design – power circuit protection to cut off individual LEDs when mal-functioned
- Compatible in use with most emergency battery brands
- 微波控制內部感測器 感測器探測距離3-8米(用戶可選擇)
- 0%-90%流明(用戶可選擇)
- 待機狀態下延時/退出時間5秒-60分鐘
- SPM設計-電源電路保護,在故障時切斷單個LED
- 與大多數應急電池品牌相容



Specification 產品規格 >>

Model 型號	Voltage 電壓 (V)	Wattage 功率 (W)	Length 長度 (mm)	Lamp Life 光度壽命 (Hrs)	Colour Temp 色溫 (K)	Lumen Output 輸出流明 (Lm/W)	Color Rendering 顯色度 (CRI)	Lamp Base 燈腳	PCS/CTN 每箱數量 (pcs)
LT-I0609-PM128A	100~240	9	600	50000	3000/4000/6500	120	>80	T8,G13	25
LT-I0912-PM128A	100~240	12	900	50000	3000/4000/6500	120	>80	T8,G13	25
LT-I1218-PM128A	100~240	18	1200	50000	3000/4000/6500	120	>80	T8,G13	25
LT-I1522-PM128A	100~240	22	1500	50000	3000/4000/6500	120	>80	T8,G13	25

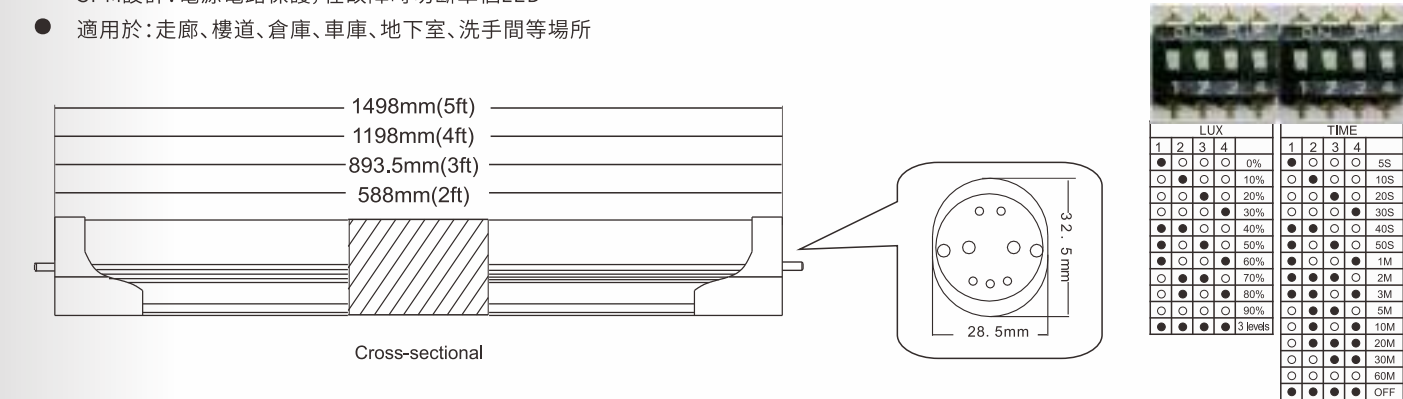
- Light efficiency (lm/W), Power (W), Color Rendering Index (CRI), Can be customized according to customer needs
- Our Standard Power factor (PF) > 0.9 and Total harmonic index THD < 15%, According to customer requirements can produce a lower THD < 10%
- This type of certification is issued by a government-approved laboratory for Safety certification, Fire testing, Restriction of Hazardous Substances (RoHS), Photobiological safety of lamps and lamp systems. (an Exemption Group) and other test certifications to ensure product quality
- 光效 (lm/W)、功率 (W)、顯色指數 (CRI), 可根據客戶需求定制
- 此型號標準之功率因素 (PF) > 0.9, 總諧波指數 THD < 15%, 可按客戶需要生產低總諧波指數 < 10%
- 此型號認證由可實驗室發出之安全認證消防測試, 環保物料 (RoHS), 光生物安全為 Exemption Group 及其它測試, 保證客戶使用更安心滿意

Programmable Infrared Sensor T8 Tube

Series Type: PI

Features 產品特點 >>

- The detection distance of infrared sensor is 3-5M
- The lamp sleep brightness can be set to 0% - 90%
- The sleep power of the lamp tube is 0-16w (can be set as required)
- Delay / exit time in standby mode: 5s-60m
- SPM design: power circuit protection, cutting off a single LED in case of failure
- Applicable to: corridor, corridor, warehouse, garage, basement, toilet and other places
- 紅外感測器探測距離3-5米
- 燈管休眠亮度可設置0%-90%
- 燈管休眠功率為0-16W(可根據需要設置)
- 待機狀態下延時/退出時間5秒-60分鐘
- SPM設計: 電源電路保護,在故障時切斷單個LED
- 適用於: 走廊、樓道、倉庫、車庫、地下室、洗手間等場所



Specification 產品規格 >>

Model 型號	Voltage 電壓 (V)	Wattage 功率 (W)	Length 長度 (mm)	Lamp Life 光度壽命 (Hrs)	Colour Temp 色溫 (K)	Lumen Output 輸出流明 (Lm/W)	Color Rendering 顯色度 (CRI)	Lamp Base 燈腳	PCS/CTN 每箱數量 (pcs)
LT-I0609-PI128A	100~240	9	600	50000	3000/4000/6500	120	>80	T8,G13	25
LT-I0912-PI128A	100~240	12	900	50000	3000/4000/6500	120	>80	T8,G13	25
LT-I1218-PI128A	100~240	18	1200	50000	3000/4000/6500	120	>80	T8,G13	25
LT-I1522-PI128A	100~240	22	1500	50000	3000/4000/6500	120	>80	T8,G13	25

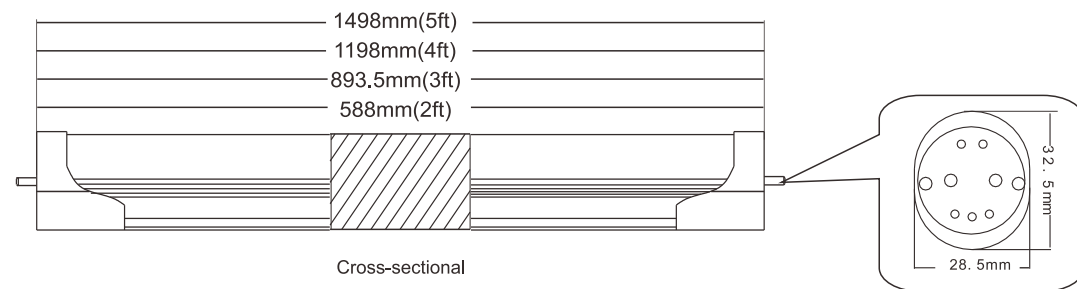
- Light efficiency (lm/W), Power (W), Color Rendering Index (CRI), Can be customized according to customer needs
- Our Standard Power factor (PF) > 0.9 and Total harmonic index THD < 15%, According to customer requirements can produce a lower THD < 10%
- This type of certification is issued by a government-approved laboratory for Safety certification, Fire testing, Restriction of Hazardous Substances (RoHS), Photobiological safety of lamps and lamp systems. (an Exemption Group) and other test certifications to ensure product quality
- 光效 (lm/W)、功率 (W)、顯色指數 (CRI), 可根據客戶需求定制
- 此型號標準之功率因素 (PF) > 0.9, 總諧波指數 THD < 15%, 可按客戶需要生產低總諧波指數 < 10%
- 此型號認證由可實驗室發出之安全認證消防測試, 環保物料 (RoHS), 光生物安全為 Exemption Group 及其它測試, 保證客戶使用更安心滿意

Microwave Sensor T8 Tube + RF Linkage

Series Type: ML

Features 產品特點 >>

- Each lamp tube receives an induction signal (APP operation is not required)
- When the signal is first sensed, a wireless wave signal will be sent, and the nearby lamps will receive the signal and emit light according to the strength of the signal
- Sensing range: 6-8m
- The lamp sleep brightness can be set to 0%-90%
- Applicable to: underground parking lot, corridor, corridor, warehouse, basement and other places
- 每一燈管都有接收到感應信號(不需要APP操作)
- 當第一感應到信號時,就會發出無線波信號,附近的燈管都會接受到信,並根據信號強弱發光
- 感應範圍6-8米
- 燈管休眠亮度可設置0%-90%
- 適用於: 地下停車場、走廊、樓道、倉庫、地下室等場所



Specification 產品規格 >>

Model 型號	Voltage 電壓 (V)	Wattage 功率 (W)	Length 長度 (mm)	Lamp Life 光度壽命 (Hrs)	Colour Temp 色溫 (K)	Lumen Output 輸出流明 (Lm/W)	Color Rendering 顯色度 (CRI)	Lamp Base 燈腳	PCS/CTN 每箱數量 (pcs)
LT-I0609-ML128A	100~240	9	600	50000	3000/4000/6500	120	>80	T8,G13	25
LT-I0912-ML128A	100~240	12	900	50000	3000/4000/6500	120	>80	T8,G13	25
LT-I1218-ML128A	100~240	18	1200	50000	3000/4000/6500	120	>80	T8,G13	25
LT-I1522-ML128A	100~240	22	1500	50000	3000/4000/6500	120	>80	T8,G13	25

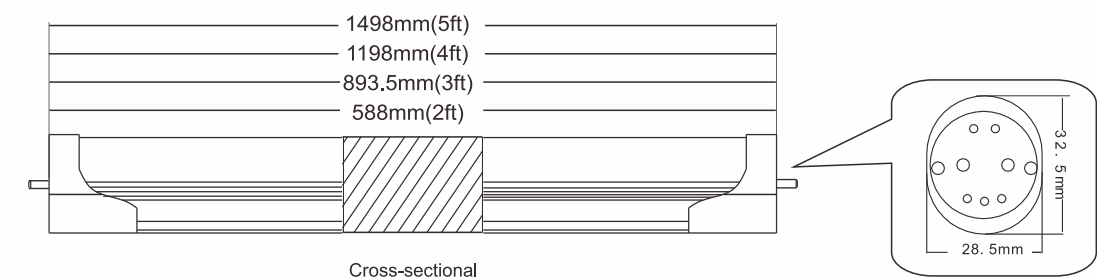
- Light efficiency (lm/W), Power (W), Color Rendering Index (CRI), Can be customized according to customer needs
- Our Standard Power factor (PF) > 0.9 and Total harmonic index THD < 15%, According to customer requirements can produce a lower THD < 10%
- This type of certification is issued by a government-approved laboratory for Safety certification, Fire testing, Restriction of Hazardous Substances (RoHS), Photobiological safety of lamps and lamp systems. (an Exemption Group) and other test certifications to ensure product quality
- 光效 (lm/W)、功率 (W)、顯色指數 (CRI), 可根據客戶需求定制
- 此型號標準之功率因素 (PF) > 0.9, 總諧波指數 THD < 15%, 可按客戶需要生產低總諧波指數 < 10%
- 此型號認證由可實驗室發出之安全認證消防測試, 環保物料 (RoHS), 光生物安全為 Exemption Group 及其它測試, 保證客戶使用更安心滿意

Infrared Sensor T8 Tube + RF Linkage

Series Type: IL

Features 產品特點 >>

- Each lamp tube receives an induction signal (APP operation is not required)
- When the signal is first sensed, a wireless wave signal will be sent, and the nearby lamps will receive the signal and emit light according to the strength of the signal
- The detection distance of infrared sensor is 3-5M
- The lamp sleep brightness can be set to 0%-90%
- Applicable to: underground parking lot, corridor, corridor, warehouse, basement and other places
- 每一燈管都有接收到感應信號(不需要APP操作)
- 當第一感應到信號時,就會發出無線波信號,附近的燈管都會接受到信,並根據信號強弱發光
- 紅外感測器探測距離3-5米
- 燈管休眠亮度可設置0%-90%
- 適用於: 走廊、樓道、倉庫、車庫、地下室、洗手間等場所



Specification 產品規格 >>

Model 型號	Voltage 電壓 (V)	Wattage 功率 (W)	Length 長度 (mm)	Lamp Life 光度壽命 (Hrs)	Colour Temp 色溫 (K)	Lumen Output 輸出流明 (Lm/W)	Color Rendering 顯色度 (CRI)	Lamp Base 燈腳	PCS/CTN 每箱數量 (pcs)
LT-I0609-IL128A	100~240	9	600	50000	3000/4000/6500	120	>80	T8,G13	25
LT-I0912-IL128A	100~240	12	900	50000	3000/4000/6500	120	>80	T8,G13	25
LT-I1218-IL128A	100~240	18	1200	50000	3000/4000/6500	120	>80	T8,G13	25
LT-I1522-IL128A	100~240	22	1500	50000	3000/4000/6500	120	>80	T8,G13	25

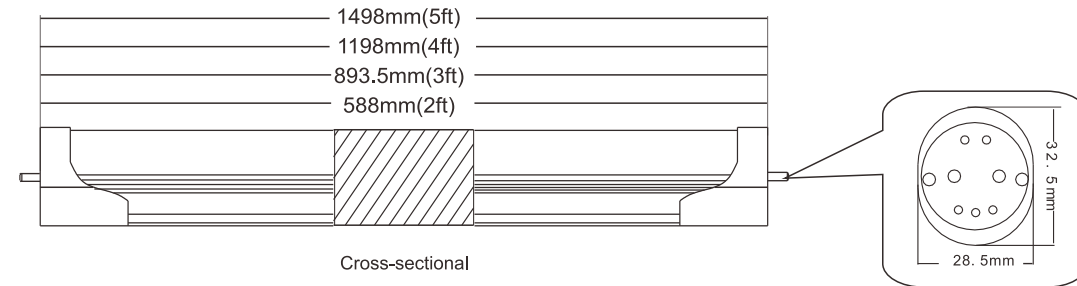
- Light efficiency (lm/W), Power (W), Color Rendering Index (CRI), Can be customized according to customer needs
- Our Standard Power factor (PF) > 0.9 and Total harmonic index THD < 15%, According to customer requirements can produce a lower THD < 10%
- This type of certification is issued by a government-approved laboratory for Safety certification, Fire testing, Restriction of Hazardous Substances (RoHS), Photobiological safety of lamps and lamp systems. (an Exemption Group) and other test certifications to ensure product quality
- 光效 (lm/W)、功率 (W)、顯色指數 (CRI), 可根據客戶需求定制
- 此型號標準之功率因素 (PF) > 0.9, 總諧波指數 THD < 15%, 可按客戶需要生產低總諧波指數 < 10%
- 此型號認證由可實驗室發出之安全認證消防測試, 環保物料 (RoHS), 光生物安全為 Exemption Group 及其它測試, 保證客戶使用更安心滿意

Sound Control T8 Tube + RF Linkage

Series Type: VL

Features 產品特點 >>

- Each lamp tube receives an induction signal (APP operation is not required)
- When the signal is first sensed, a wireless wave signal will be sent, and the nearby lamps will receive the signal and emit light according to the strength of the signal
- The sound sensitivity is 30-60db, and the sensing range is 6-8m
- The lamp sleep brightness can be set to 0%-90%
- Applicable to: underground parking lot, government, school, hospital, shopping mall, bank and other places requiring long-time lighting every day
- 每一燈管都有接收到感應信號(不需要APP操作)
- 當第一感應到信號時,就會發出無線波信號,附近的燈管都會接受到信號,並根據信號強弱發光
- 聲音靈敏度30-60dB,感應範圍6-8米
- 燈管休眠亮度可設置0%-90%
- 適用於:地下停車場、政府、學校、醫院、商場、銀行等每天需長時間照明的場所



Specification 產品規格 >>

Model 型號	Voltage 電壓 (V)	Wattage 功率 (W)	Length 長度 (mm)	Lamp Life 光度壽命 (Hrs)	Colour Temp 色溫 (K)	Lumen Output 輸出流明 (Lm/W)	Color Rendering 顯色度 (CRI)	Lamp Base 燈腳	PCS/CTN 每箱數量 (pcs)
LT-I0609-VL128A	100~240	9	600	50000	3000/4000/6500	120	>80	T8,G13	25
LT-I0912-VL128A	100~240	12	900	50000	3000/4000/6500	120	>80	T8,G13	25
LT-I1218-VL128A	100~240	18	1200	50000	3000/4000/6500	120	>80	T8,G13	25
LT-I1522-VL128A	100~240	22	1500	50000	3000/4000/6500	120	>80	T8,G13	25

- Light efficiency (lm/W), Power (W), Color Rendering Index (CRI), Can be customized according to customer needs
- Our Standard Power factor (PF) > 0.9 and Total harmonic index THD < 15%, According to customer requirements can produce a lower THD < 10%
- This type of certification is issued by a government-approved laboratory for Safety certification, Fire testing, Restriction of Hazardous Substances (RoHS), Photobiological safety of lamps and lamp systems. (an Exemption Group) and other test certifications to ensure product quality
- 光效 (lm/W)、功率 (W)、顯色指數 (CRI), 可根據客戶需求定制
- 此型號標準之功率因素 (PF) > 0.9, 總諧波指數 THD < 15%, 可按客戶需要生產低總諧波指數 < 10%
- 此型號認證由可實驗室發出之安全認證消防測試, 環保物料 (RoHS), 光生物安全為 Exemption Group 及其它測試, 保證客戶使用更安心滿意

Preset & Timer Lighting

預設和計時應用照明

Manual Preset Dimming DC Manual Dim Tube & 0-10v Driver

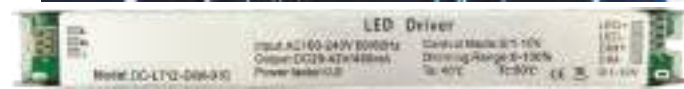
Series Type: R-MD

Features 產品特點 >>

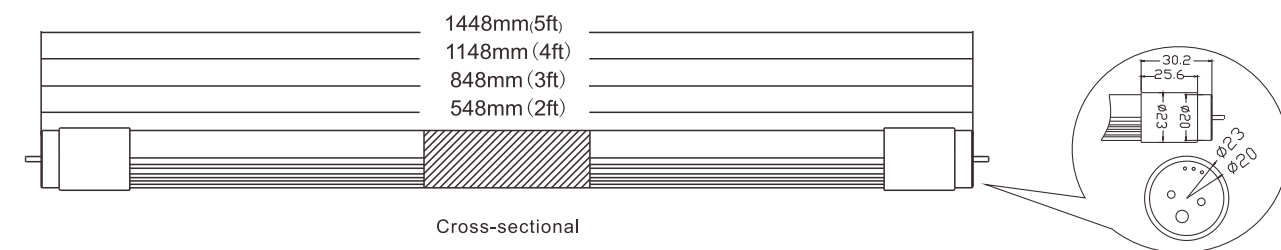
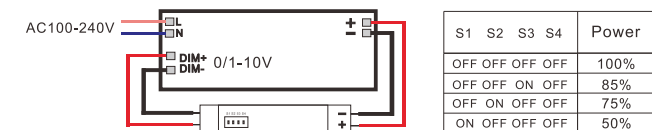
- Flicker free
- Dimming interface : 0-10V Dim
- Dimming range from 100% to (100%,85%,75%,50%)
- 無閃頻
- 調光介面:0-10V調光
- 調光範圍從100%到(100%, 85%, 75%, 50%)



Flick Free
(無閃頻)
保護視力



Model:DC-LT12-DIM-010



Specification 產品規格 >>

Model 型號	Voltage 電壓 (V)	Wattage 功率 (W)	Length 長度 (mm)	Lamp Life 光度壽命 (Hrs)	Colour Temp 色溫 (K)	Lumen Output 輸出流明 (Lm/W)	Color Rendering 顯色度 (CRI)	Lamp Base 燈腳	PCS/CTN 每箱數量 (pcs)
LT-R60610-MD128A	30-42	10	600	50000	4000	120	>80	T5,G5	25
LT-R60913-MD128A	30-42	13	900	50000	4000	120	>80	T5,G5	25
LT-R61219-MD128A	30-42	19	1200	50000	4000	120	>80	T5,G5	25
LT-R61524-MD128A	30-42	24	1500	50000	4000	120	>80	T5,G5	25

- Light efficiency (lm/W), Power (W), Color Rendering Index (CRI), Can be customized according to customer needs
- Our Standard Power factor (PF) > 0.9 and Total harmonic index THD < 15%, According to customer requirements can produce a lower THD < 10%
- This type of certification is issued by a government-approved laboratory for Safety certification, Fire testing, Restriction of Hazardous Substances (RoHS), Photobiological safety of lamps and lamp systems. (an Exemption Group) and other test certifications to ensure product quality
- 光效 (lm/W)、功率 (W)、顯色指數 (CRI), 可根據客戶需求定制
- 此型號標準之功率因素 (PF) > 0.9, 總諧波指數 THD < 15%, 可按客戶需要生產低總諧波指數 < 10%
- 此型號認證由可實驗室發出之安全認證消防測試, 環保物料 (RoHS), 光生物安全為 Exemption Group 及其它測試, 保證客戶使用更安心滿意

Manual Preset Power Consumption AC T8 Tube

Series Type: DP-SW

Features 產品特點 >>

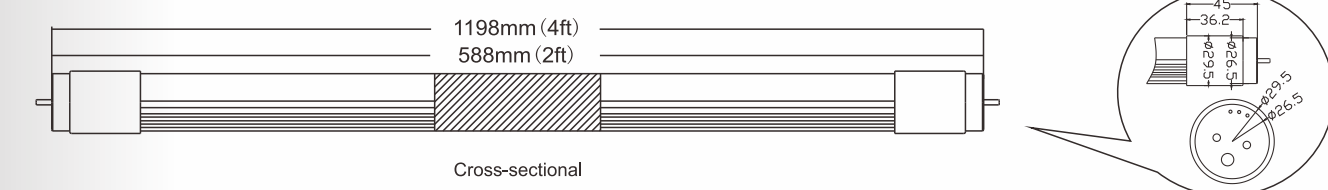
- Uniform light emission
- With 4 position dip switch selector
- Dimming range from 100% to 50% (100%, 85%, 75%, 50%)
- SPM Design – power circuit protection to cut off individual LEDs when mal-functioned
- 發光均勻
- 帶4比特dip開關選擇器
- 調光範圍從100%到50% (100%, 85%, 75%, 50%)
- SPM設計即電源電路保護, 在故障時可立即切斷單個LED電路



Flick Free
(無閃頻)
保護視力



S1	S2	S3	S4	Power
OFF	OFF	OFF	OFF	100%
OFF	OFF	ON	OFF	85%
OFF	ON	OFF	OFF	75%
ON	OFF	OFF	OFF	50%



Specification 產品規格 >>

Model 型號	Voltage 電壓 (V)	Wattage 功率 (W)	Length 長度 (mm)	Lamp Life 光度壽命 (Hrs)	Colour Temp 色溫 (K)	Lumen Output 輸出流明 (Lm/W)	Color Rendering 顯色度 (CRI)	Lamp Base 燈腳	PCS/CTN 每箱數量 (pcs)
LT-H0609-DP128A-SW	100~240	9	600	50000	3000/4000/6500	120	>80	T8,G13	25
LT-H1218-DP128A-SW	100~240	18	1200	50000	3000/4000/6500	120	>80	T8,G13	25

- Light efficiency (lm/W), Power (W), Color Rendering Index (CRI), Can be customized according to customer needs
- Our Standard Power factor (PF) > 0.9 and Total harmonic index THD < 15%, According to customer requirements can produce a lower THD < 10%
- This type of certification is issued by a government-approved laboratory for Safety certification, Fire testing, Restriction of Hazardous Substances (RoHS), Photobiological safety of lamps and lamp systems. (an Exemption Group) and other test certifications to ensure product quality
- 光效 (lm/W)、功率 (W)、顯色指數 (CRI), 可根據客戶需求定制
- 此型號標準之功率因素 (PF) > 0.9, 總諧波指數 THD < 15%, 可按客戶需要生產低總諧波指數 < 10%
- 此型號認證由可實驗室發出之安全認證消防測試, 環保物料 (RoHS), 光生物安全為 Exemption Group 及其它測試, 保證客戶使用更安心滿意

Time Control ON/OFF LED T8 Tube

Series Type: TC

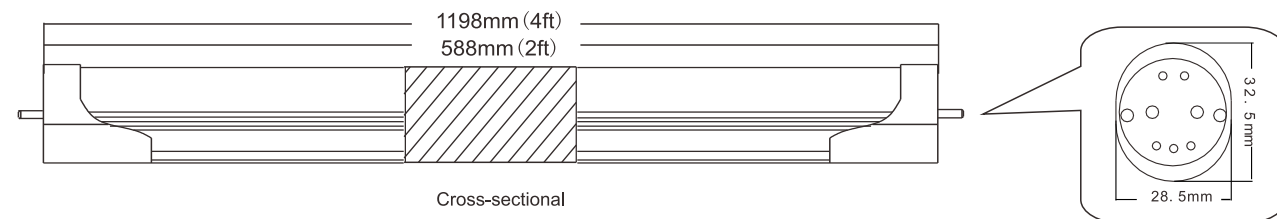
Features 產品特點 >>

- Uniform light emission
- Equipped with a built-in timer control for automatic daily on / off function. Simple operation
- User adjustable for a delay switch ON time (0.5-24H)
- User adjustable for a standby lighting output (0-90 %)

- 發光均勻
- 內置計時器控制, 實現每日自動開關功能, 操作簡單
- 用戶可調節延遲開關接通時間(0.5-24H)
- 用戶可調節備用照明輸出(0-90%)



Flick Free
(無閃頻)
保護視力



Specification 產品規格 >>

Model 型號	Voltage 電壓 (V)	Wattage 功率 (W)	Length 長度 (mm)	Lamp Life 光度壽命 (Hrs)	Colour Temp 色溫 (K)	Lumen Output 輸出流明 (Lm/W)	Color Rendering 顯色度 (CRI)	Lamp Base 燈腳	PCS/CTN 每箱數量 (pcs)
LT-I0609-TC128A	100~240	9	600	50000	3000/4000/6000	120	>80	T8,G13	25
LT-I1218-TC128A	100~240	12	1800	50000	3000/4000/6000	120	>80	T8,G13	25

- Light efficiency (lm/W), Power (W), Color Rendering Index (CRI), Can be customized according to customer needs
- Our Standard Power factor (PF) > 0.9 and Total harmonic index THD < 15%, According to customer requirements can produce a lower THD < 10%
- This type of certification is issued by a government-approved laboratory for Safety certification, Fire testing, Restriction of Hazardous Substances (RoHS), Photobiological safety of lamps and lamp systems. (an Exemption Group) and other test certifications to ensure product quality

- 光效 (lm/W)、功率 (W)、顯色指數 (CRI), 可根據客戶需求定制
- 此型號標準之功率因素 (PF) > 0.9, 總諧波指數 THD < 15%, 可按客戶需要生產低總諧波指數 < 10%
- 此型號認證由可實驗室發出之安全認證消防測試, 環保物料 (RoHS), 光生物安全為 Exemption Group 及其它測試, 保證客戶使用更安心滿意

Time Control ON/OFF LED T8 Tube (Dip Switch Selector)

Series Type: TC-DL

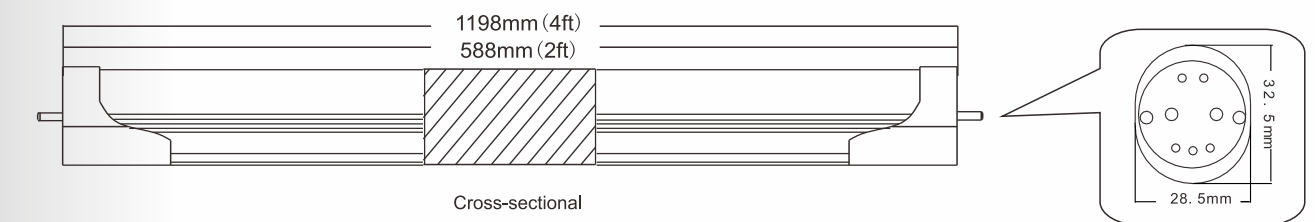
Features 產品特點 >>

- Dial from minimum 0.5 hours to combined 24-hour delay switch
- setting operate day by day
- User adjustable for a standby lighting output (0-90 %)
- Uniform light emission
- Retrofit to existing T8 lights on EM

- 撥碼由最小0.5小時至組合24小時延時組合
- 設置每天運行
- 用戶可調節備用照明輸出(0-90%)
- 發光均勻
- 對現有的T8燈進行改造



Flick Free
(無閃頻)
保護視力



Specification 產品規格 >>

Model 型號	Voltage 電壓 (V)	Wattage 功率 (W)	Length 長度 (mm)	Lamp Life 光度壽命 (Hrs)	Colour Temp 色溫 (K)	Lumen Output 輸出流明 (Lm/W)	Color Rendering 顯色度 (CRI)	Lamp Base 燈腳	PCS/CTN 每箱數量 (pcs)
LT-I0609-TC128A-DL	100~240	9	600	50000	3000/4000/6500	120	>80	T8,G13	25
LT-I1218-TC128A-DL	100~240	18	1200	50000	3000/4000/6500	120	>80	T8,G13	25

- Light efficiency (lm/W), Power (W), Color Rendering Index (CRI), Can be customized according to customer needs
- Our Standard Power factor (PF) > 0.9 and Total harmonic index THD < 15%, According to customer requirements can produce a lower THD < 10%
- This type of certification is issued by a government-approved laboratory for Safety certification, Fire testing, Restriction of Hazardous Substances (RoHS), Photobiological safety of lamps and lamp systems. (an Exemption Group) and other test certifications to ensure product quality

- 光效 (lm/W)、功率 (W)、顯色指數 (CRI), 可根據客戶需求定制
- 此型號標準之功率因素 (PF) > 0.9, 總諧波指數 THD < 15%, 可按客戶需要生產低總諧波指數 < 10%
- 此型號認證由可實驗室發出之安全認證消防測試, 環保物料 (RoHS), 光生物安全為 Exemption Group 及其它測試, 保證客戶使用更安心滿意

撥碼延時的設置方法

对应增加时间 (H)	拨码开关					
	S1	S2	S3	S4	S5	S6
0.5	1	2	4	8	16	
总延时时间 = S1+S2+S3+S4+S5+S6						

• 把拨码开关S7-S10全部置0 (设置亮度为0) S1-S6按下表设置循环延时时时间

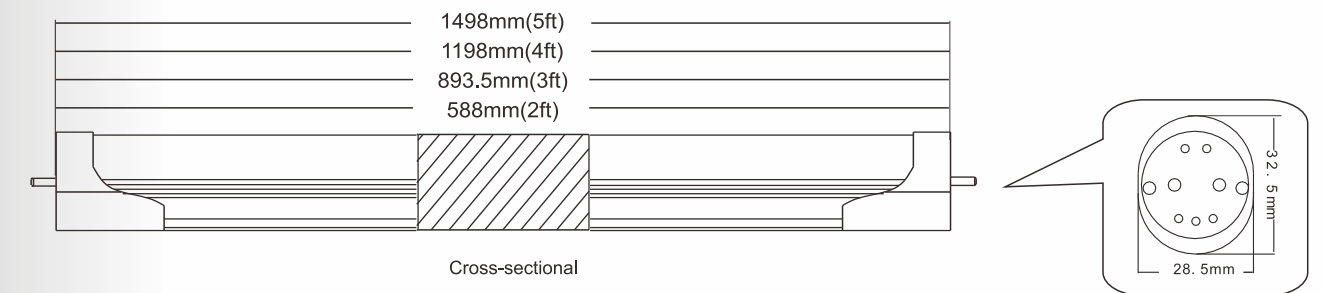
Phase Control Dimming T8 LED Tube

Series Type: LE / TE

Features 產品特點 >>

- Dimming range from 30-100% Efficiency > 85%
- Dimmer interface : Traic / ELV, Push Dimmer
- Leading Edge phase control or trailing edge phase control
- PWM digital dimming , no alter LED color rendering index
- High frequency PWM dimming
- Short Circuit / Over-temperature/ Over Load / Over Voltage Protection
- Suitable for indoor environments

- 調光範圍30-100% 效率>85%
- 調光介面:Traic/ELV, 按鍵調光器
- 適用於前切式或後切式調光器
- PWM數位調光, 不改變LED顯色指數高頻PWM調光
- 短路/過熱/超載/過壓保護
- 適合室內環境



Specification 產品規格 >>

Model 型號	Voltage 電壓	Wattage 功率	Length 長度	Lamp Life 光度壽命	Colour Temp 色溫	Lumen Output 輸出流明	Color Rendering 顯色度	Dimmer Mode 調光器模式	PCS/CTN 每箱數量
	(V)	(W)	(mm)	(Hrs)	(K)	(Lm/W)	(CRI)		(pcs)
LT-I0609-LE128A	100~240	9	600	50000	3000/4000/6500	120	>80	Leading Edge	25
LT-I1218-LE128A	100~240	18	1200	50000	3000/4000/6500	120	>80	Leading Edge	25
LT-I0609-TE128A	100~240	9	600	50000	3000/4000/6500	120	>80	Trailing Edge	25
LT-I1218-TE128A	100~240	18	1200	50000	3000/4000/6500	120	>80	Trailing Edge	25

- Light efficiency (lm/W), Power (W), Color Rendering Index (CRI), Can be customized according to customer needs
- Our Standard Power factor (PF) > 0.9 and Total harmonic index THD < 15%, According to customer requirements can produce a lower THD < 10%
- This type of certification is issued by a government-approved laboratory for Safety certification, Fire testing, Restriction of Hazardous Substances (RoHS), Photobiological safety of lamps and lamp systems. (an Exemption Group) and other test certifications to ensure product quality
- 光效 (lm/W)、功率 (W)、顯色指數 (CRI), 可根據客戶需求定制
- 此型號標準之功率因素 (PF) > 0.9, 總諧波指數 THD < 15%, 可按客戶需要生產低總諧波指數 < 10%
- 此型號認證由可實驗室發出之安全認證消防測試, 環保物料 (RoHS), 光生物安全為 Exemption Group 及其它測試, 保證客戶使用更安心滿意

Dimming Lighting

調光應用照明

Dimmable LED T8 DC Tube & 0-10V LED Driver

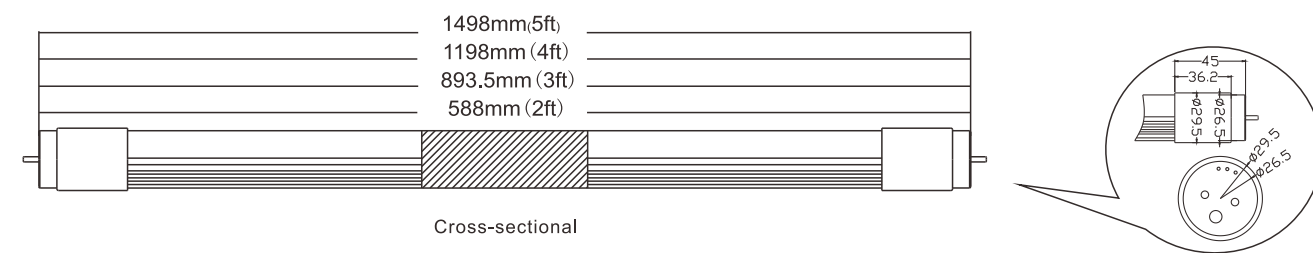
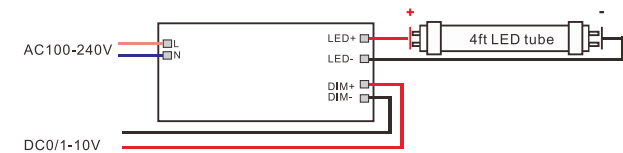
Series Type: R-N

Features 產品特點 >>

- Dimming interface: 0-10V Dim
- Apply to 0-10V dimmers
- Dimming range from 0-100%
- Compliant with safety extra low voltage standard
- 調光介面: 0-10V調光
- 適用0-10V調光器
- 調光範圍0-100%
- 符合安全特低電壓標準相容



Model: DC-LT12-DIM-010



Specification 產品規格 >>

Model 型號	Voltage 電壓 (V)	Wattage 功率 (W)	Length 長度 (mm)	Lamp Life 光度壽命 (Hrs)	Colour Temp 色溫 (K)	Lumen Output 輸出流明 (Lm/W)	Color Rendering 顯色度 (CRI)	Lamp Base 燈腳	PCS/CTN 每箱數量 (pcs)
LT-R0609-N128A	30-42	9	600	50000	4000	120	>80	T8,G13	25
LT-R0912-N128A	30-42	12	900	50000	4000	120	>80	T8,G13	25
LT-R1218-N128A	30-42	18	1200	50000	4000	120	>80	T8,G13	25
LT-R1522-N128A	30-42	22	1500	50000	4000	120	>80	T8,G13	25

- Light efficiency (lm/W), Power (W), Color Rendering Index (CRI), Can be customized according to customer needs
- Our Standard Power factor (PF) > 0.9 and Total harmonic index THD < 15%, According to customer requirements can produce a lower THD < 10%
- This type of certification is issued by a government-approved laboratory for Safety certification, Fire testing, Restriction of Hazardous Substances (RoHS), Photobiological safety of lamps and lamp systems. (an Exemption Group) and other test certifications to ensure product quality
- 光效 (lm/W)、功率 (W)、顯色指數 (CRI), 可根據客戶需求定制
- 此型號標準之功率因素 (PF) > 0.9, 總諧波指數 THD < 15%, 可按客戶需要生產低總諧波指數 < 10%
- 此型號認證由可實驗室發出之安全認證消防測試, 環保物料 (RoHS), 光生物安全為 Exemption Group 及其它測試, 保證客戶使用更安心滿意

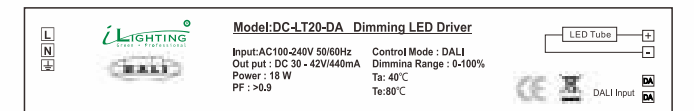
Dimmable LED T8 DC Tube & DALI LED Driver

Series Type: R-S

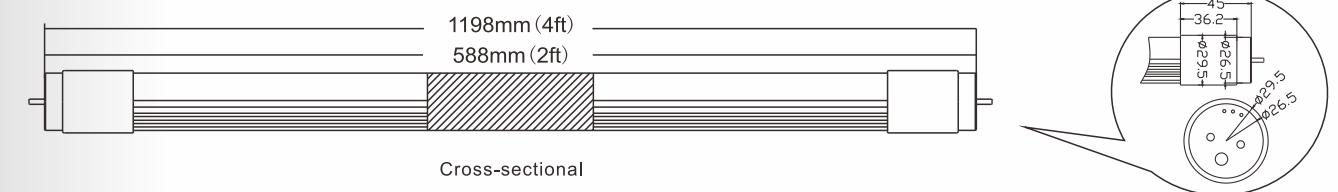
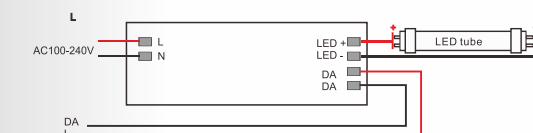
Features 產品特點 >>

- Dimming interface : DALI DALI control standard IEC62386
- Constant current output, parameters can be customized to 12W Class 2 LED power supply, Double-isolated
- Short circuit, over current and over voltage protection, Efficiency up to 83%
- DALI control input < 2mA, 5-100% logarithmic dimming range
- Compatible with many kinds of dimming system, such as Philips, Osram, Tridonic, Siemens, Lutron, KNX etc

- 調光介面: DALI DALI 控制標準: IEC62386
- 恒流輸出, 參數可定制 12W 二級 LED 電源, 雙隔離
- 短路、過流、過電壓保護, 效率高達 83%
- DALI 控制輸入 < 2mA, 5-100% 對數調光範圍
- 相容飛利浦、歐司朗、Tridonic、西門子、盧特龍、KNX 等多種調光系統



Model: DC-LT20-DA/DC-LT40-DA



Specification 產品規格 >>

Model 型號	Voltage 電壓 (V)	Wattage 功率 (W)	Length 長度 (mm)	Lamp Life 光度壽命 (Hrs)	Colour Temp 色溫 (K)	Lumen Output 輸出流明 (Lm/W)	Color Rendering 顯色度 (CRI)	Lamp Base 燈腳	PCS/CTN 每箱數量 (pcs)
LT-R0609-S128A	30-42	9	600	50000	3000/4000/6500	120	>80	T8,G13	25
LT-R1218-S128A	30-42	18	1200	50000	3000/4000/6500	120	>80	T8,G13	25

- Light efficiency (lm/W), Power (W), Color Rendering Index (CRI), Can be customized according to customer needs
- Our Standard Power factor (PF) > 0.9 and Total harmonic index THD < 15%, According to customer requirements can produce a lower THD < 10%
- This type of certification is issued by a government-approved laboratory for Safety certification, Fire testing, Restriction of Hazardous Substances (RoHS), Photobiological safety of lamps and lamp systems. (an Exemption Group) and other test certifications to ensure product quality
- 光效 (lm/W)、功率 (W)、顯色指數 (CRI), 可根據客戶需求定制
- 此型號標準之功率因素 (PF) > 0.9, 總諧波指數 THD < 15%, 可按客戶需要生產低總諧波指數 < 10%
- 此型號認證由可實驗室發出之安全認證消防測試, 環保物料 (RoHS), 光生物安全為 Exemption Group 及其它測試, 保證客戶使用更安心滿意

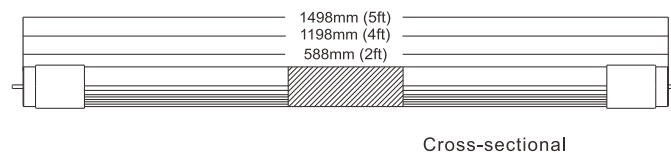
LED T8 Dual Color DC Tube & 0-10V LED Dimming Driver

Series Type: R-T

Features 產品特點 >>

- Uniform light , emission beam angle 270°
- High luminous output 100-150lm/w & lower power consumption
- Spm design – power circuit protection to cut off individual leds when mal-functioned
- Dual Color (3000k-6000k)
- Touch Panel controller is available to connect dimming driver
- Control mode : 0-10V,Dimming range from 0-100

- 發光均勻,發射光束角度 180°
- 高發光輸出(100-150lm/w)低功耗
- SPM 設計-電源電路保護,當個別LED故障時切斷單個LED電路
- 雙色(3000k-6000k)
- 觸摸面板控制器可連接調光驅動器
- 控制模式:0-10V,調光範圍0-100



Specification 產品規格 >>

Model 型號	Voltage 電壓 (V)	Wattage 功率 (W)	Length 長度 (mm)	Lamp Life 光度壽命 (Hrs)	Colour Temp 色溫 (K)	Lumen Output 輸出流明 (Lm/W)	Color Rendering 顯色度 (CRI)	Lamp Base 燈腳	PCS/CTN 每箱數量 (pcs)
LT-R0609-T128A	100~240	9	600	50000	3000/4000/6000	120	>80	T8,G13	25
LT-R1218-T128A	100~240	18	1200	50000	3000/4000/6000	120	>80	T8,G13	25
LT-R1522-T128A	100~240	22	1500	50000	3000/4000/6000	120	>80	T8,G13	25

- Light efficiency (lm/W),Power (W),Color Rendering Index (CRI), Can be customized according to customer needs
- Our Standard Power factor (PF) > 0.9 and Total harmonic index THD < 15%, According to customer requirements can produce a lower THD< 10%
- This type of certification is issued by a government-approved laboratory for Safety certification, Fire testing, Restriction of Hazardous Substances(RoHS), Photobiological safety of lamps and lamp systems.(an Exemption Group) and other test certifications to ensure product quality
- 光效(lm/W)、功率(W)、顯色指數(CRI),可根據客戶需求定制
- 此型號標準之功率因素(PF)>0.9,總諧波指數THD<15%,可按客戶需要生產低總諧波指數<10%
- 此型號認證由可實驗室發出之安全認證消防測試,環保物料(RoHS),光生物安全為Exemption Group及其它測試,保證客戶使用更安心滿意

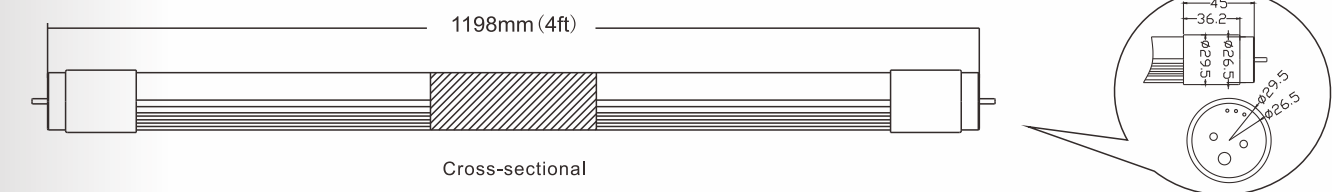
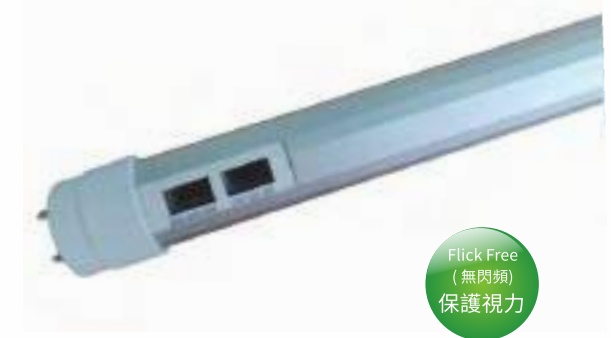
Wattage & CCT Selectable T8 LED Tube

Series Type: CW

Features 產品特點 >>

- Wattage selectable (12W/15W/18W)
- CCT selectable(3000K/4000K/6000K)
- High luminous output (150lm/W)& Low power consumption

- 可選功率:12W/15W/18W
- CCT可選:3000K/4000K/6000K
- 高光輸出(150lm/W)且低功耗



Specification 產品規格 >>

Model 型號	Voltage 電壓 (V)	Wattage 功率 (W)	Length 長度 (mm)	Lamp Life 光度壽命 (Hrs)	Colour Temp 色溫 (K)	Lumen Output 輸出流明 (Lm/W)	Color Rendering 顯色度 (CRI)	Lamp Base 燈腳	PCS/CTN 每箱數量 (pcs)
LT-I1218-CW128A	120-265	12/15/18	1200	50000	3000/4000/6000	150	>80	T8,G13	25

- Light efficiency (lm/W),Power (W),Color Rendering Index (CRI), Can be customized according to customer needs
- Our Standard Power factor (PF) > 0.9 and Total harmonic index THD < 15%, According to customer requirements can produce a lower THD< 10%
- This type of certification is issued by a government-approved laboratory for Safety certification, Fire testing, Restriction of Hazardous Substances(RoHS), Photobiological safety of lamps and lamp systems.(an Exemption Group) and other test certifications to ensure product quality
- 光效(lm/W)、功率(W)、顯色指數(CRI),可根據客戶需求定制
- 此型號標準之功率因素(PF)>0.9,總諧波指數THD<15%,可按客戶需要生產低總諧波指數<10%
- 此型號認證由可實驗室發出之安全認證消防測試,環保物料(RoHS),光生物安全為Exemption Group及其它測試,保證客戶使用更安心滿意

WiFi IOT LED T8 Tube

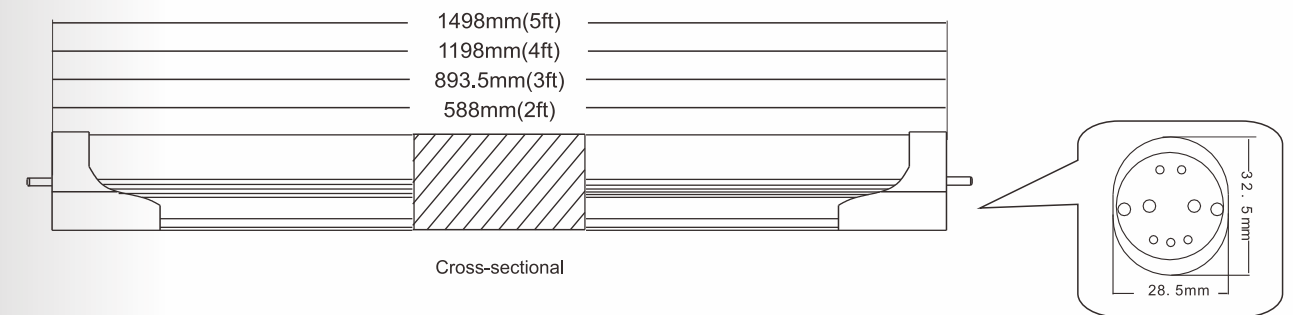
Series Type: WIFI

Features 產品特點 >>

- WiFi adopts wireless technologies such as fast frequency hopping and time division multiple access to replace cables
- A low-cost and low-power wireless access method is provided
- Dimming Signal : wifi
- Dimming Range: 0-100%
- WiFi採用快速跳頻、時分多址等無線技術替代有線
- 提供了一種低成本、低功耗的無線接入方法
- 調光訊號：wifi
- 調光範圍：0-100%



Flick Free
(無閃頻)
保護視力



Specification 產品規格 >>

Model 型號	Voltage 電壓 (V)	Wattage 功率 (W)	Length 長度 (mm)	Lamp Life 光度壽命 (Hrs)	Colour Temp 色溫 (K)	Lumen Output 輸出流明 (Lm/W)	Color Rendering 顯色度 (CRI)	Lamp Base 燈腳	PCS/CTN 每箱數量 (pcs)
LT-I0609-WIFI128A	100~240	9	600	50000	3000/4000/6000	120	>80	T8,G13	25
LT-I0912-WIFI128A	100~240	12	900	50000	3000/4000/6000	120	>80	T8,G13	25
LT-I1218-WIFI128A	100~240	18	1200	50000	3000/4000/6000	120	>80	T8,G13	25
LT-I1522-WIFI128A	100~240	22	1500	50000	3000/4000/6000	120	>80	T8,G13	25

- Light efficiency (lm/W), Power (W), Color Rendering Index (CRI), Can be customized according to customer needs
- Our Standard Power factor (PF) > 0.9 and Total harmonic index THD < 15%, According to customer requirements can produce a lower THD < 10%
- This type of certification is issued by a government-approved laboratory for Safety certification, Fire testing, Restriction of Hazardous Substances (RoHS), Photobiological safety of lamps and lamp systems. (an Exemption Group) and other test certifications to ensure product quality
- 光效 (lm/W)、功率 (W)、顯色指數 (CRI), 可根據客戶需求定制
- 此型號標準之功率因素 (PF) > 0.9, 總諧波指數 THD < 15%, 可按客戶需要生產低總諧波指數 < 10%
- 此型號認證由可實驗室發出之安全認證消防測試, 環保物料 (RoHS), 光生物安全為 Exemption Group 及其它測試, 保證客戶使用更安心滿意

Wireless Lighting

無線應用照明



LoRa LED T8 Tube

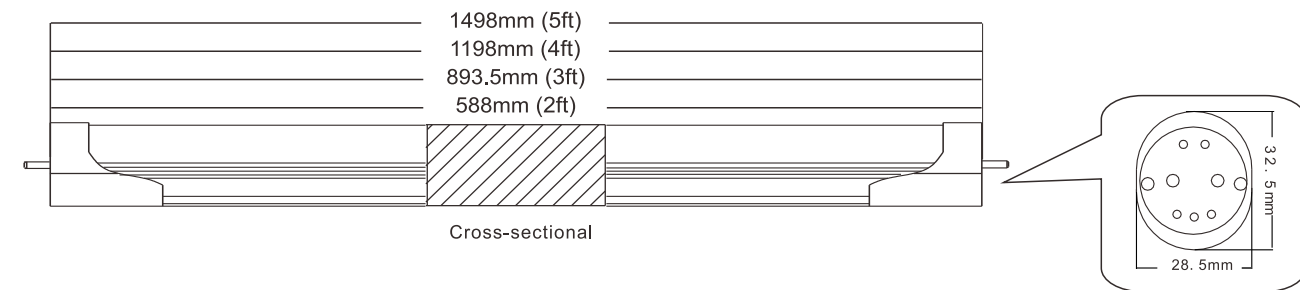
Series Type: LORA

Features 產品特點 >>

- Uniform light emission
- High luminous output (100~150 lm/W)& low power consumption
- SPM Design – power circuit protection to cut off individual LEDs when mal-functioned
- Modulation Method LoRa, LoRa Interface Equipped
- Operating frequency 443MHz, communication distance 200~300m
- Optional: rotary end knob for angle adjustment
- 發光均勻
- 高光輸出 (100~150 lm/W) 低功耗
- SPM設計即電源電路保護, 在故障時可立即切斷單個LED電路
- 調製方法LoRa, LoRa端口配備
- 工作頻率443MHz, 通訊距離200~300m
- 可選: 旋轉端旋鈕, 用於角度調整



Flick Free
(無閃頻)
保護視力



Specification 產品規格 >>

Model 型號	Voltage 電壓 (V)	Wattage 功率 (W)	Length 長度 (mm)	Lamp Life 光度壽命 (Hrs)	Colour Temp 色溫 (K)	Lumen Output 輸出流明 (Lm/W)	Color Rendering 顯色度 (CRI)	Lamp Base 燈腳	PCS/CTN 每箱數量 (pcs)
LT-I0609-LORA128A	100~240	9	600	50000	3000/4000/6500	120	>80	T8,G13	25
LT-I0912-LORA128A	100~240	12	900	50000	3000/4000/6500	120	>80	T8,G13	25
LT-I1218-LORA128A	100~240	18	1200	50000	3000/4000/6500	120	>80	T8,G13	25
LT-I1522-LORA128A	100~240	22	1500	50000	3000/4000/6500	120	>80	T8,G13	25

- Light efficiency (lm/W), Power (W), Color Rendering Index (CRI), Can be customized according to customer needs
- Our Standard Power factor (PF) > 0.9 and Total harmonic index THD < 15%, According to customer requirements can produce a lower THD < 10%
- This type of certification is issued by a government-approved laboratory for Safety certification, Fire testing, Restriction of Hazardous Substances (RoHS), Photobiological safety of lamps and lamp systems. (an Exemption Group) and other test certifications to ensure product quality
- 光效 (lm/W)、功率 (W)、顯色指數 (CRI), 可根據客戶需求定制
- 此型號標準之功率因素 (PF) > 0.9, 總諧波指數 THD < 15%, 可按客戶需要生產低總諧波指數 < 10%
- 此型號認證由可實驗室發出之安全認證消防測試, 環保物料 (RoHS), 光生物安全為 Exemption Group 及其它測試, 保證客戶使用更安心滿意

LoRaWAN LED T8 Tube

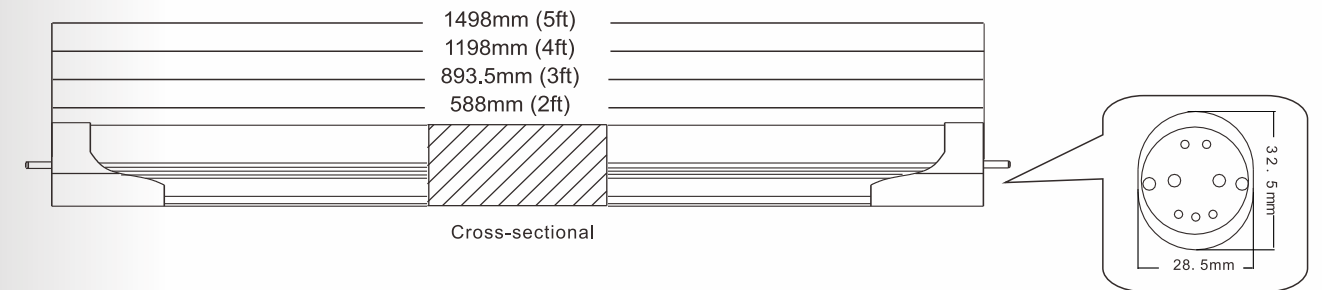
Series Type: LW

Features 產品特點 >>

- Uniform light emission
- High luminous output (100~150 lm/W)& low power consumption
- SPM Design – power circuit protection to cut off individual LEDs when mal-functioned
- Modulation method LoRa, letter of agreement LoRaWAN V1.0.2
- Operating frequency 433~923.2MHz, Communication line of sight 15km
- Optional: rotary end knob for angle adjustment
- 發光均勻
- 高光輸出 (100~150 lm/W) 低功耗
- SPM設計即電源電路保護, 在故障時可立即切斷單個LED電路
- 調製方法LoRa, LoRaWAN V1.0.2 協議
- 工作頻率433~923.2MHz, 通訊距離15km
- 可選: 旋轉端旋鈕, 用於角度調整



Flick Free
(無閃頻)
保護視力



Specification 產品規格 >>

Model 型號	Voltage 電壓 (V)	Wattage 功率 (W)	Length 長度 (mm)	Lamp Life 光度壽命 (Hrs)	Colour Temp 色溫 (K)	Lumen Output 輸出流明 (Lm/W)	Color Rendering 顯色度 (CRI)	Lamp Base 燈腳	PCS/CTN 每箱數量 (pcs)
LT-I0609-LW128A	100~240	9	600	50000	3000/4000/6000	120	>80	T8,G13	25
LT-I0912-LW128A	100~240	12	900	50000	3000/4000/6000	120	>80	T8,G13	25
LT-I1218-LW128A	100~240	18	1200	50000	3000/4000/6000	120	>80	T8,G13	25
LT-I1522-LW128A	100~240	22	1500	50000	3000/4000/6000	120	>80	T8,G13	25

- Light efficiency (lm/W), Power (W), Color Rendering Index (CRI), Can be customized according to customer needs
- Our Standard Power factor (PF) > 0.9 and Total harmonic index THD < 15%, According to customer requirements can produce a lower THD < 10%
- This type of certification is issued by a government-approved laboratory for Safety certification, Fire testing, Restriction of Hazardous Substances (RoHS), Photobiological safety of lamps and lamp systems. (an Exemption Group) and other test certifications to ensure product quality
- 光效 (lm/W)、功率 (W)、顯色指數 (CRI), 可根據客戶需求定制
- 此型號標準之功率因素 (PF) > 0.9, 總諧波指數 THD < 15%, 可按客戶需要生產低總諧波指數 < 10%
- 此型號認證由可實驗室發出之安全認證消防測試, 環保物料 (RoHS), 光生物安全為 Exemption Group 及其它測試, 保證客戶使用更安心滿意

Radio Controlled Microwave Sensing Linkage

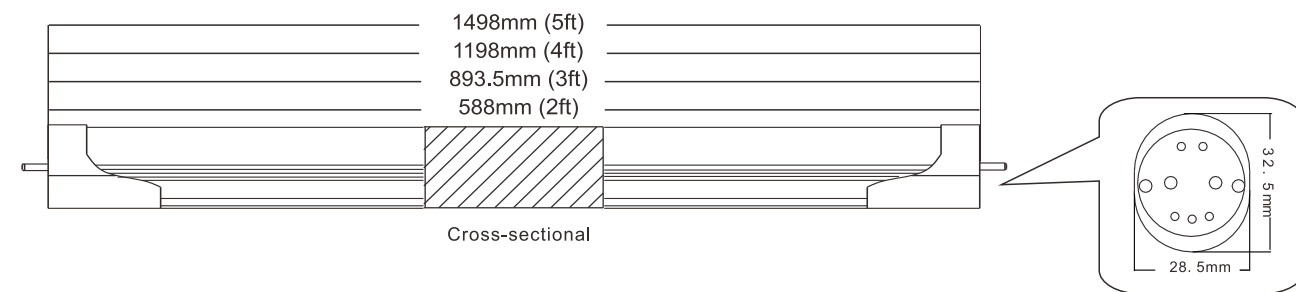
Series Type: ML

Features 產品特點 >>

- Uniform light emission
- High luminous output (100~150 lm/W)& low power consumption
- Intelligent device employing radio technologies
- Tubes will be turned on 100% brightness when detecting moving object (people , cars etc)
- Tubes do not detect moving objects will receive radio signal from the tube which detecting the moving object and will be turned on at specific brightness level as according to the radio signal strength
- 發光均勻
- 高光輸出 (100~150 lm/W) 低功耗
- 設備採用無線電技術
- 檢測移動物體 (人、車等) 時, 燈管將開啟100%亮度
- 未檢測到移動物體的燈管從檢測到移動物體的燈管接收無線電訊號, 並根據信號強度亮燈



Flick Free
(無閃頻)
保護視力



Specification 產品規格 >>

Model 型號	Voltage 電壓 (V)	Wattage 功率 (W)	Length 長度 (mm)	Lamp Life 光度壽命 (Hrs)	Colour Temp 色溫 (K)	Lumen Output 輸出流明 (Lm/W)	Color Rendering 顯色度 (CRI)	Lamp Base 燈腳	PCS/CTN 每箱數量 (pcs)
LT-I0609-ML128A	100~240	9	600	50000	3000/4000/6000	120	>80	T8,G13	25
LT-I0912-ML128A	100~240	12	900	50000	3000/4000/6000	120	>80	T8,G13	25
LT-I1218-ML128A	100~240	18	1200	50000	3000/4000/6000	120	>80	T8,G13	25
LT-I1522-ML128A	100~240	22	1500	50000	3000/4000/6000	120	>80	T8,G13	25

- Light efficiency (lm/W), Power (W), Color Rendering Index (CRI), Can be customized according to customer needs
- Our Standard Power factor (PF) > 0.9 and Total harmonic index THD < 15%, According to customer requirements can produce a lower THD < 10%
- This type of certification is issued by a government-approved laboratory for Safety certification, Fire testing, Restriction of Hazardous Substances (RoHS), Photobiological safety of lamps and lamp systems. (an Exemption Group) and other test certifications to ensure product quality
- 光效 (lm/W)、功率 (W)、顯色指數 (CRI), 可根據客戶需求定制
- 此型號標準之功率因素 (PF) > 0.9, 總諧波指數 THD < 15%, 可按客戶需要生產低總諧波指數 < 10%
- 此型號認證由可實驗室發出之安全認證消防測試, 環保物料 (RoHS), 光生物安全為 Exemption Group 及其它測試, 保證客戶使用更安心滿意

Master Radio Controlled Microwave Sensing Linkage

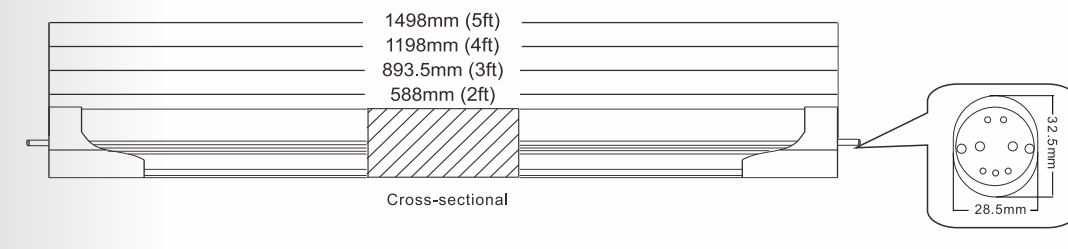
Series Type: ML-MW

Features 產品特點 >>

- Intelligent device employing radio technologies
- The system mainly realizes control by grouping (Zone Lighting) when someone enters the detection range, All Slave tubes dimming level will follow Master tube preset value
- The Master tube has a built-in sensor and transmitter, and the slave tube has a built-in receiver; when someone approaches, the Master will be activated. When the Master is 100% on, it will trigger the slave tubes in an area to light up 100% at the same time.
- Detection Distance 6M-8M
- 採用無線電技術的智能設備
- 系統主要通過分組 (區域照明) 實現控制, 當有人進入檢測範圍時, 所有從管調光級別將遵循主管預設值
- 主管具有內真的感測器和發射器, 從管具有內真的接收器; 當有人靠近時, 主管會被啟動; 當主控燈100%打開時, 它將觸發某個區域中的從屬管同時100%點亮
- 感應距離6-8米



Flick Free
(無閃頻)
保護視力



Specification 產品規格 >>

Model 型號	Voltage 電壓 (V)	Wattage 功率 (W)	Length 長度 (mm)	Lamp Life 光度壽命 (Hrs)	Colour Temp 色溫 (K)	Lumen Output 輸出流明 (Lm/W)	Color Rendering 顯色度 (CRI)	Lamp Base 燈腳	PCS/CTN 每箱數量 (pcs)
LT-I0609-ML-MV128A	100~240	9	600	50000	3000/4000/6000	120	>80	T8,G13	25
LT-I0912-ML-MV128A	100~240	12	900	50000	3000/4000/6000	120	>80	T8,G13	25
LT-I1218-ML-MV128A	100~240	18	1200	50000	3000/4000/6000	120	>80	T8,G13	25
LT-I1522-ML-MV128A	100~240	22	1500	50000	3000/4000/6000	120	>80	T8,G13	25

- Light efficiency (lm/W), Power (W), Color Rendering Index (CRI), Can be customized according to customer needs
- Our Standard Power factor (PF) > 0.9 and Total harmonic index THD < 15%, According to customer requirements can produce a lower THD < 10%
- This type of certification is issued by a government-approved laboratory for Safety certification, Fire testing, Restriction of Hazardous Substances (RoHS), Photobiological safety of lamps and lamp systems. (an Exemption Group) and other test certifications to ensure product quality
- 光效 (lm/W)、功率 (W)、顯色指數 (CRI), 可根據客戶需求定制
- 此型號標準之功率因素 (PF) > 0.9, 總諧波指數 THD < 15%, 可按客戶需要生產低總諧波指數 < 10%
- 此型號認證由可實驗室發出之安全認證消防測試, 環保物料 (RoHS), 光生物安全為 Exemption Group 及其它測試, 保證客戶使用更安心滿意

Slave Radio Controlled Microwave Sensing Linkage

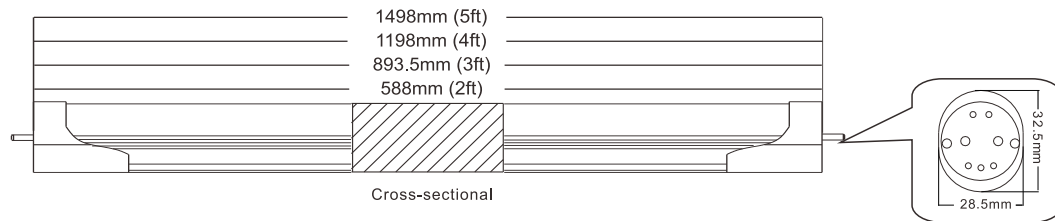
Series Type: ML-SL

Features 產品特點 >>

- Intelligent device employing radio technologies
- The system mainly realizes control by grouping (Zone Lighting) when someone enters the detection range, All Slave tubes dimming level will follow Master tube preset valuer
- The Master tube has a built-in sensor and transmitter, and the slave tube has a built-in receiver; when someone approaches, the Master will be activated. When the Master is 100% on, it will trigger the slave tubes in an area to light up 100% at the same time.
- Detection Distance 6M-8M
- 採用無線電技術的智能設備
- 系統主要通過分組 (區域照明) 實現控制, 當有人進入檢測範圍時, 所有從管調光級別將遵循主管預設值
- 主管具有內真的感測器和發射器, 從管具有內真的接收器; 當有人靠近時, 主管會被啟動; 當主控燈100%打開時, 它將觸發某個區域中的從屬管同時100%點亮
- 感應距離6-8米



Flick Free
(無閃頻)
保護視力



Specification 產品規格 >>

Model 型號	Voltage 電壓 (V)	Wattage 功率 (W)	Length 長度 (mm)	Lamp Life 光度壽命 (Hrs)	Colour Temp 色溫 (K)	Lumen Output 輸出流明 (Lm/W)	Color Rendering 顯色度 (CRI)	Lamp Base 燈腳	PCS/CTN 每箱數量 (pcs)
LT-I0609-ML-SL128A	100~240	9	600	50000	3000/4000/6000	120	>80	T8,G13	25
LT-I0912-ML-SL128A	100~240	12	900	50000	3000/4000/6000	120	>80	T8,G13	25
LT-I1218-ML-SL128A	100~240	18	1200	50000	3000/4000/6000	120	>80	T8,G13	25
LT-I1522-ML-SL128A	100~240	22	1500	50000	3000/4000/6000	120	>80	T8,G13	25

- Light efficiency (lm/W), Power (W), Color Rendering Index (CRI), Can be customized according to customer needs
- Our Standard Power factor (PF) > 0.9 and Total harmonic index THD < 15%, According to customer requirements can produce a lower THD < 10%
- This type of certification is issued by a government-approved laboratory for Safety certification, Fire testing, Restriction of Hazardous Substances (RoHS), Photobiological safety of lamps and lamp systems. (an Exemption Group) and other test certifications to ensure product quality
- 光效 (lm/W)、功率 (W)、顯色指數 (CRI), 可根據客戶需求定制
- 此型號標準之功率因素 (PF) > 0.9, 總諧波指數 THD < 15%, 可按客戶需要生產低總諧波指數 < 10%
- 此型號認證由可實驗室發出之安全認證消防測試, 環保物料 (RoHS), 光生物安全為 Exemption Group 及其它測試, 保證客戶使用更安心滿意

T5 Slave Radio Controlled Microwave Sensing Linkage

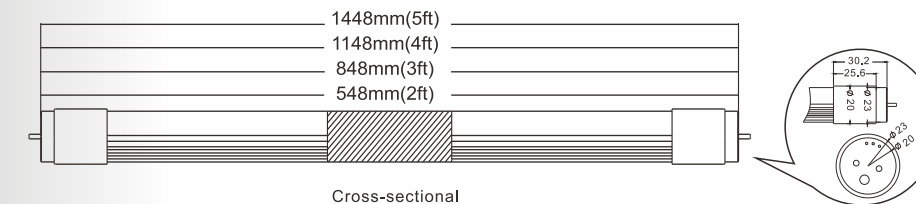
Series Type: I5-ML-SL

Features 產品特點 >>

- Intelligent device employing radio technologies
- The system mainly realizes control by grouping (Zone Lighting) when someone enters the detection range, All Slave tubes dimming level will follow Master tube preset valuer
- The Master tube has a built-in sensor and transmitter, and the slave tube has a built-in receiver; when someone approaches, the Master will be activated. When the Master is 100% on, it will trigger the slave tubes in an area to light up 100% at the same time.
- Detection Distance 6M-8M
- 採用無線電技術的智能設備
- 系統主要通過分組 (區域照明) 實現控制, 當有人進入檢測範圍時, 所有從管調光級別將遵循主管預設值
- 主管具有內真的感測器和發射器, 從管具有內真的接收器; 當有人靠近時, 主管會被啟動; 當主控燈100%打開時, 它將觸發某個區域中的從屬管同時100%點亮
- 感應距離6-8米



Flick Free
(無閃頻)
保護視力



Specification 產品規格 >>

Model 型號	Voltage 電壓 (V)	Wattage 功率 (W)	Length 長度 (mm)	Lamp Life 光度壽命 (Hrs)	Colour Temp 色溫 (K)	Lumen Output 輸出流明 (Lm/W)	Color Rendering 顯色度 (CRI)	Lamp Base 燈腳	PCS/CTN 每箱數量 (pcs)
LT-I50608-ML-SL128A	100~240	8	600	50000	3000/4000/6000	120	>80	T5,G5	50
LT-I50912-ML-SL128A	100~240	12	900	50000	3000/4000/6000	120	>80	T5,G5	50
LT-I51216-ML-SL128A	100~240	16	1200	50000	3000/4000/6000	120	>80	T5,G5	50
LT-I51520-ML-SL128A	100~240	20	1500	50000	3000/4000/6000	120	>80	T5,G5	50

- Light efficiency (lm/W), Power (W), Color Rendering Index (CRI), Can be customized according to customer needs
- Our Standard Power factor (PF) > 0.9 and Total harmonic index THD < 15%, According to customer requirements can produce a lower THD < 10%
- This type of certification is issued by a government-approved laboratory for Safety certification, Fire testing, Restriction of Hazardous Substances (RoHS), Photobiological safety of lamps and lamp systems. (an Exemption Group) and other test certifications to ensure product quality
- 光效 (lm/W)、功率 (W)、顯色指數 (CRI), 可根據客戶需求定制
- 此型號標準之功率因素 (PF) > 0.9, 總諧波指數 THD < 15%, 可按客戶需要生產低總諧波指數 < 10%
- 此型號認證由可實驗室發出之安全認證消防測試, 環保物料 (RoHS), 光生物安全為 Exemption Group 及其它測試, 保證客戶使用更安心滿意

T8 Bluetooth Microwave Sensing Linkage

Series Type: ML-BT



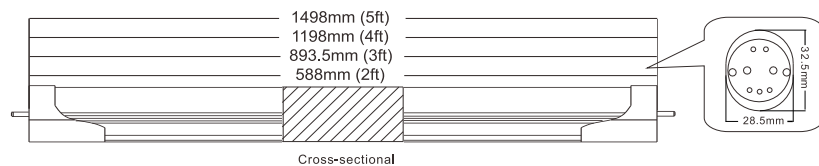
Flick Free
(無閃頻)
保護視力

Features 產品特點 >>

- Designed for energy saving purpose
- Smart devices using Bluetooth technology
- When someone or vehicles enters the detection range (6-8M) of one tube, a bluetooth signal will be emitted to all nearby tubes (radius 10M) to full lumen
- Each tube contains 5.8G microwave sensor and Bluetooth module
- Ease of installation - same as regular AC T8 Tube, no need to plan for grouping
- Lighting output selectable (By WE Chat mini programs) at standby mode : 0%/ 2%/5%/10%/25%
- Exit time user selectable (By WE Chat mini programs) : 5S/15S/30S/ 60S/ 120S/ 300S
- Full lumen brightness selectable (By WE Chat mini programs) : 60%/70%/80%/90%/ 100%



- 專為節能設計
- 應用藍牙技術的智能設備
- 當有人或車輛進入一根燈管的探測範圍(6-8M)時,藍牙訊號將發射到附近的所有燈管(半徑10M),達到全流明照明
- 每根燈管包含5.8G微波感測器和藍牙模組
- 易於安裝-與常規AC T8管相同,無需計畫分組
- 待機模式下可選擇照明輸出(通過微信小程序):0%/2%/5%/10%/25%
- 退出時間用戶可選(通過微信小程序):5S/15S/30S/60S/120S/300S
- 全流明亮度可選(通過微信小程序):60%/70%/80%/90%/100%



Specification 產品規格 >>

Model 型號	Voltage 電壓 (V)	Wattage 功率 (W)	Length 長度 (mm)	Lamp Life 光度壽命 (Hrs)	Colour Temp 色溫 (K)	Lumen Output 輸出流明 (Lm/W)	Color Rendering 顯色度 (CRI)	Lamp Base 燈腳	PCS/CTN 每箱數量 (pcs)
LT-I0609-ML-BT128A	85~265	9	600	50000	3000/4000/6000	120	>80	T8,G13	25
LT-I0912-ML-BT128A	85~265	12	900	50000	3000/4000/6000	120	>80	T8,G13	25
LT-I1218-ML-BT128A	85~265	18	1200	50000	3000/4000/6000	120	>80	T8,G13	25
LT-I1522-ML-BT128A	85~265	22	1500	50000	3000/4000/6000	120	>80	T8,G13	25

- Light efficiency (lm/W), Power (W), Color Rendering Index (CRI), Can be customized according to customer needs
- Our Standard Power factor (PF) > 0.9 and Total harmonic index THD < 15%, According to customer requirements can produce a lower THD < 10%
- This type of certification is issued by a government-approved laboratory for Safety certification, Fire testing, Restriction of Hazardous Substances (RoHS), Photobiological safety of lamps and lamp systems. (an Exemption Group) and other test certifications to ensure product quality
- 光效 (lm/W)、功率 (W)、顯色指數 (CRI), 可根據客戶需求定制
- 此型號標準之功率因素 (PF) > 0.9, 總諧波指數 THD < 15%, 可按客戶需要生產低總諧波指數 < 10%
- 此型號認證由可實驗室發出之安全認證消防測試, 環保物料 (RoHS), 光生物安全為 Exemption Group 及其它測試, 保證客戶使用更安心滿意

Master Grouping - Broadcast Control Wireless Unit

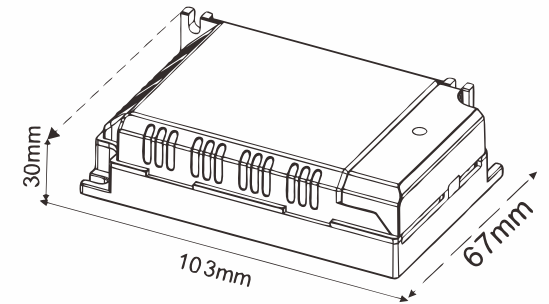
Series Type: DC-LD-TC



Features 產品特點 >>

- Intelligent device employing radio technologies
- The total controller address has 15 groups 01-15
- When the total controller is selected in group 01-15, after power-on, the master and slave tubes covering the same address group are 100% lit
- After the main controller is powered off, all the master and slave pipes return to normal operation
- Time controller can be added to set the working state of different periods

- 專為節能設計
- 採用無線電科技的智能設備
- 控制器總地址有01-15共15組
- 當在組01-15中選擇好總控制器, 通電後, 覆蓋同一地址組的主管和從管均100%點亮。
- 主控制器斷電後, 所有主管和從管恢復正常運行
- 可以添加時間控制器來設定不同時段的工作狀態



Specification 產品規格 >>

Model 型號	Voltage 電壓 (V)	Size 尺寸 (mm)	Master Group 分組	Dimming 調光 (%)	Control Tube 控制燈管 (pcs)	Radio Coverage Area (Radius) 覆蓋範圍 (半徑) (m)
DC-LT-TC	100~240	103*67*30	15 Group	30/50/75	256	300

- master unit+slave driver, can be used with any Bluetooth control product
- This type of certification is issued by a government-approved laboratory for Safety certification, Fire testing, Restriction of Hazardous Substances (RoHS), Photobiological safety of lamps and lamp systems. (an Exemption Group) and other test certifications to ensure product quality
- 主機+從機驅動, 可搭配任何藍牙控制產品使用
- 此型號認證由可實驗室發出之安全認證消防測試, 環保物料 (RoHS), 光生物安全為 Exemption Group 及其它測試, 保證客戶使用更安心滿意

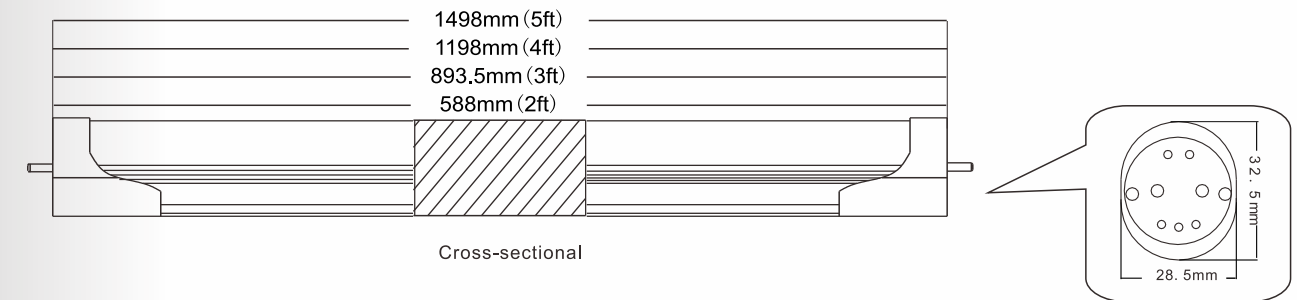
Plant Growth LED T8 Tube

Series Type: PLT

Features 產品特點 >>

- This indoor led grow light emits most of light spectrum which can be absorbed by plants effectively
- The full light spectrum is from 400-800nm
- It is applicable to all stages of plant growth
- It is suggested to keep the light from plants at least 12 inches (30cm) away from plants to prevent leaf burn and give plants 12 to 14 hours of light per day
- This led plant growing light can be used in greenhouses, plant factory, greenhouse farming, flower farming, indoor gardens, water soluble breeding

- 這種室內led生長燈發出的大部分光譜能被植物有效吸收
- 全光譜範圍為400-800nm 適用於植物生長的各個階段
- 建議遠離植物的光照至少12英寸(30厘米),以防止叶子被晒伤,每天給植物12到14小時的光照
- 這種led植物生長燈可用於溫室、植物工廠、溫室種植、花卉種植、室內花園、水溶性育種



Specification 產品規格 >>

Model 型號	Voltage 電壓	Wattage 功率	Length 長度	Lamp Life 光度壽命	Colour Temp 色溫	Lumen Output 輸出流明	Color Rendering 顯色度	PCS/CTN 每箱數量
	(V)	(W)	(mm)	(Hrs)	(K)	(Lm/W)	(CRI)	(pcs)
LT-I0609-PLT128A	100~240	9	600	50000	Full Spectrum	120	>80	25
LT-I0912-PLT128A	100~240	12	900	50000	Full Spectrum	120	>80	25
LT-I1218-PLT128A	100~240	18	1200	50000	Full Spectrum	120	>80	25
LT-I1522-PLT128A	100~240	22	1500	50000	Full Spectrum	120	>80	25

- Light efficiency (lm/W), Power (W), Color Rendering Index (CRI), Can be customized according to customer needs
- Our Standard Power factor (PF) > 0.9 and Total harmonic index THD < 15%, According to customer requirements can produce a lower THD < 10%
- This type of certification is issued by a government-approved laboratory for Safety certification, Fire testing, Restriction of Hazardous Substances (RoHS), Photobiological safety of lamps and lamp systems. (an Exemption Group) and other test certifications to ensure product quality
- 光效 (lm/W)、功率 (W)、顯色指數 (CRI), 可根據客戶需求定制
- 此型號標準之功率因素 (PF) > 0.9, 總諧波指數 THD < 15%, 可按客戶需要生產低總諧波指數 < 10%
- 此型號認證由可實驗室發出之安全認證消防測試, 環保物料 (RoHS), 光生物安全為 Exemption Group 及其它測試, 保證客戶使用更安心滿意

Special Purpose Lighting

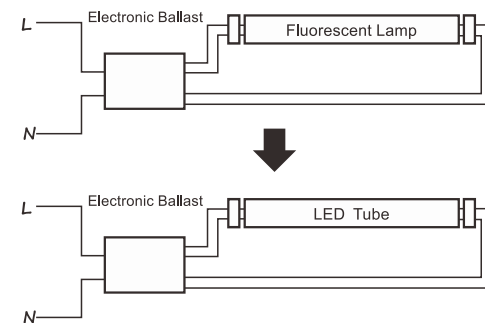
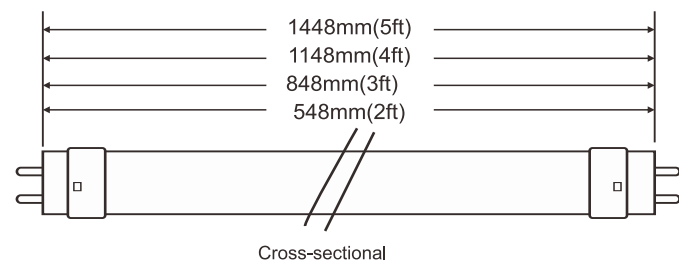
特殊用途照明

Compatible Electronic Ballast T5 LED Tube

Series Type: I5-C-ICB

Features 產品特點 >>

- Uniform light , emission beam angle 270°
- High luminous output (120lm/w) low power consumption
- Spm design – power circuit protection to cut off individual leds when mal-functioned
- Retrofit to existing T5 lights without rewiring
- T5 body G5 Pin
- Compatible to use with most Electronic Ballast IC programming version to apply
- 發光均勻,發射光束角度 270°
- 高發光輸出(120lm/w) 低功耗
- SPM 設計-電源電路保護,當個別LED故障時切斷單個LED电路
- 改裝現有 T5 燈,無需重新佈線
- T5 車 G5 引腳
- 相容大多數電子壓載 IC 程式設計版本應用



Specification 產品規格 >>

Model 型號	Voltage 電壓 (V)	Wattage 功率 (W)	Length 長度 (mm)	Lamp Life 光度壽命 (Hrs)	Colour Temp 色溫 (K)	Lumen Output 輸出流明 (Lm/W)	Color Rendering 顯色度 (CRI)	Lamp Base 燈腳	PCS/CTN 每箱數量 (pcs)
LT-I50608-C128A-ICB	electronic ballast	8	600	50000	3000/4000/6000	120	>80	T5,G5	50
LT-I51216-C128A-ICB	electronic ballast	16	1200	50000	3000/4000/6000	120	>80	T5,G5	50
LT-I51520-C128A-ICB	electronic ballast	20	1500	50000	3000/4000/6000	120	>80	T5,G5	50

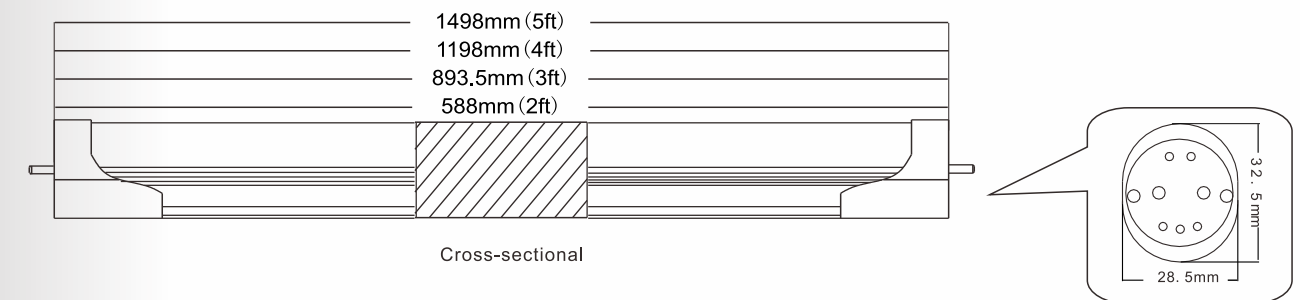
- Light efficiency (lm/W),Power (W),Color Rendering Index (CRI), Can be customized according to customer needs
- Our Standard Power factor (PF) > 0.9 and Total harmonic index THD < 15%, According to customer requirements can produce a lower THD< 10%
- This type of certification is issued by a government-approved laboratory for Safety certification, Fire testing, Restriction of Hazardous Substances(RoHS), Photobiological safety of lamps and lamp systems.(an Exemption Group) and other test certifications to ensure product quality
- 光效 (lm/W)、功率 (W)、顯色指數 (CRI), 可根據客戶需求定制
- 此型號標準之功率因素 (PF)>0.9, 總諧波指數THD<15%, 可按客戶需要生產低總諧波指數< 10%
- 此型號認證由可實驗室發出之安全認證消防測試, 環保物料 (RoHS), 光生物安全為Exemption Group及其它測試, 保證客戶使用更安心滿意

Universal Compatible LED T8-T5 Tube

Series Type: UC

Features 產品特點 >>

- Can be directly to AC220V
- Uniform light emission
- Retrofit to existing T8 lights without rewiring
- Compatible to use with various electronic ballasts
- SPM Design – power circuit protection to cut off individual LEDs when mal-functioned
- 可以直接應用在市電AC220V
- 發光均勻
- 對現有T8燈進行改造, 無需重新佈線
- 適用於各種電子鎮流器
- SPM設計即電源電路保護, 在故障時可立即切斷單個LED电路



Specification 產品規格 >>

Model 型號	Voltage 電壓 (V)	Wattage 功率 (W)	Length 長度 (mm)	Lamp Life 光度壽命 (Hrs)	Colour Temp 色溫 (K)	Lumen Output 輸出流明 (Lm/W)	Color Rendering 顯色度 (CRI)	Lamp Base 燈腳	
LT-H0609-UC128A	100~240	9	600	50000	3000/4000/6500	120	>80	T8,G13	25
LT-H0912-UC128A	100~240	12	900	50000	3000/4000/6500	120	>80	T8,G13	25
LT-H1218-UC128A	100~240	18	1200	50000	3000/4000/6500	120	>80	T8,G13	25
LT-H1522-UC128A	100~240	22	1500	50000	3000/4000/6500	120	>80	T8,G13	25

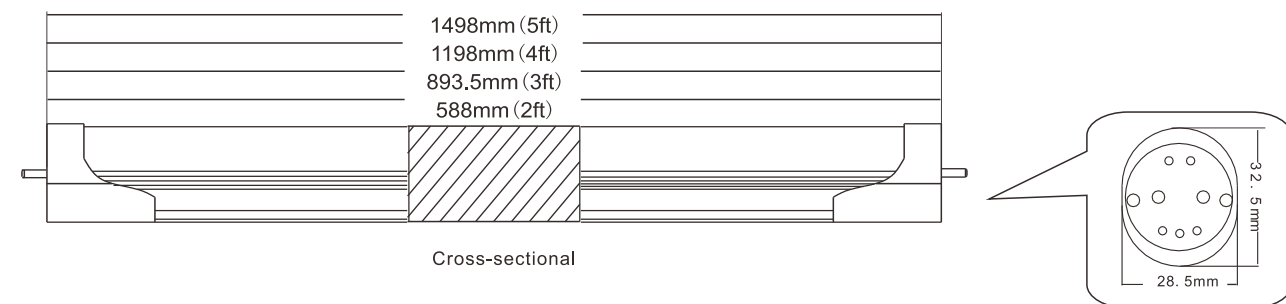
- Light efficiency (lm/W),Power (W),Color Rendering Index (CRI), Can be customized according to customer needs
- Our Standard Power factor (PF) > 0.9 and Total harmonic index THD < 15%, According to customer requirements can produce a lower THD< 10%
- This type of certification is issued by a government-approved laboratory for Safety certification, Fire testing, Restriction of Hazardous Substances(RoHS), Photobiological safety of lamps and lamp systems.(an Exemption Group) and other test certifications to ensure product quality
- 光效 (lm/W)、功率 (W)、顯色指數 (CRI), 可根據客戶需求定制
- 此型號標準之功率因素 (PF)>0.9, 總諧波指數THD<15%, 可按客戶需要生產低總諧波指數< 10%
- 此型號認證由可實驗室發出之安全認證消防測試, 環保物料 (RoHS), 光生物安全為Exemption Group及其它測試, 保證客戶使用更安心滿意

Textile LED T8 Tube

Series Type: T

Features 產品特點 >>

- Uniform light emission
- Retrofit to existing T8 lights on EM
- SPM Design – power circuit protection to cut off individual LEDs when mal-functioned
- A textile mill that distinguishable different colors of cloth
- 發光均勻
- 對現有T8燈進行改進
- SPM設計即電源電路保護，在故障時可立即切斷單個LED電路
- 能分辨不同顏色布料的紡織廠



Specification 產品規格 >>

Model 型號	Voltage 電壓 (V)	Wattage 功率 (W)	Length 長度 (mm)	Lamp Life 光度壽命 (Hrs)	Colour Temp 色溫 (K)	Lumen Output 輸出流明 (Lm/W)	Color Rendering 顯色度 (CRI)	Lamp Base 燈腳	PCS/CTN 每箱數量 (pcs)
LT-I0609-T128A	100~240	9	600	50000	3000/4000/6000	120	>80	T8,G13	25
LT-I0912-T128A	100~240	12	900	50000	3000/4000/6000	120	>80	T8,G13	25
LT-I1218-T128A	100~240	18	1200	50000	3000/4000/6000	120	>80	T8,G13	25
LT-I1522-T128A	100~240	22	1500	50000	3000/4000/6000	120	>80	T8,G13	25

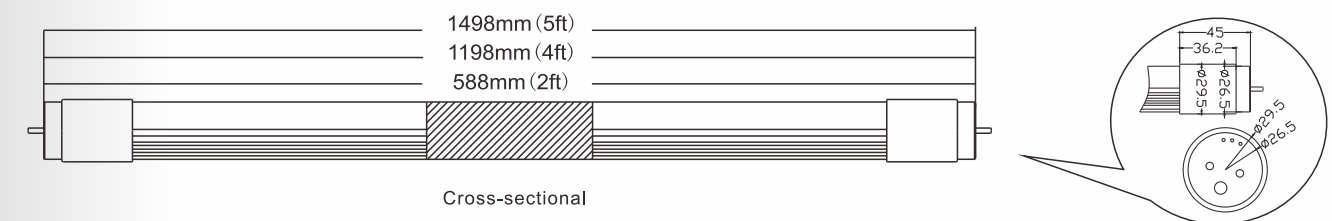
- Light efficiency (lm/W), Power (W), Color Rendering Index (CRI), Can be customized according to customer needs
- Our Standard Power factor (PF) > 0.9 and Total harmonic index THD < 15%, According to customer requirements can produce a lower THD < 10%
- This type of certification is issued by a government-approved laboratory for Safety certification, Fire testing, Restriction of Hazardous Substances (RoHS), Photobiological safety of lamps and lamp systems. (an Exemption Group) and other test certifications to ensure product quality
- 光效 (lm/W)、功率 (W)、顯色指數 (CRI)，可根據客戶需求定制
- 此型號標準之功率因素 (PF) > 0.9，總諧波指數 THD < 15%，可按客戶需要生產低總諧波指數 < 10%
- 此型號認證由可實驗室發出之安全認證消防測試，環保物料 (RoHS)，光生物安全為 Exemption Group 及其它測試，保證客戶使用更安心滿意

DMX512-RGBW LED T8-T5 Tube

Series Type: DMX-RGB

Features 產品特點 >>

- Exceptional even illumination (LED spot not seen)
- Control Protocol : DMX512 Control RGB +W
- RGB+W Dimmable & Multi-Color change
- Application: Show cabinet, Retail chop, many other applications as appropriate
- 照明均勻 (看不到LED斑點)
- 控制協定: DMX512控制RGB+W
- RGB+W可調光和多色變化
- 產品應用: 展示櫃, 零售印章, 等其他適用場合



Specification 產品規格 >>

Model 型號	Voltage 電壓 (V)	Wattage 功率 (W)	Length 長度 (mm)	Lamp Life 光度壽命 (Hrs)	Colour Temp 色溫 (K)	Lumen Output 輸出流明 (Lm/W)	Color Rendering 顯色度 (CRI)	Lamp Base 燈腳	PCS/CTN 每箱數量 (pcs)
LT-R0609-DMX129A-RGB	30-42	9	600	50000	Mixing Color	120	>90	T8,G13	25
LT-R1218-DMX129A-RGB	30-42	18	1200	50000	Mixing Color	120	>90	T8,G13	25
LT-R1522-DMX129A-RGB	30-42	22	1500	50000	Mixing Color	120	>90	T8,G13	25

- Light efficiency (lm/W), Power (W), Color Rendering Index (CRI), Can be customized according to customer needs
- Our Standard Power factor (PF) > 0.9 and Total harmonic index THD < 15%, According to customer requirements can produce a lower THD < 10%
- This type of certification is issued by a government-approved laboratory for Safety certification, Fire testing, Restriction of Hazardous Substances (RoHS), Photobiological safety of lamps and lamp systems. (an Exemption Group) and other test certifications to ensure product quality
- 光效 (lm/W)、功率 (W)、顯色指數 (CRI)，可根據客戶需求定制
- 此型號標準之功率因素 (PF) > 0.9，總諧波指數 THD < 15%，可按客戶需要生產低總諧波指數 < 10%
- 此型號認證由可實驗室發出之安全認證消防測試，環保物料 (RoHS)，光生物安全為 Exemption Group 及其它測試，保證客戶使用更安心滿意

Negative ion LED T8 Tube

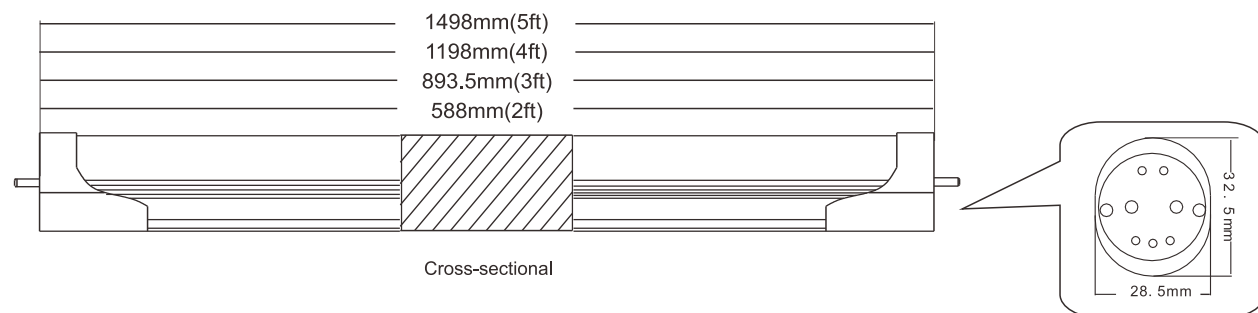
Series Type: NI

Features 產品特點 >>

- Uniform light emission ,Retrofit to existing T8 lights on EM
- SPM Design – power circuit protection to cut off individual LEDs when mal-functioned
- Optional: rotary end knob for angle adjustment
- Function: in addition to formaldehyde in addition to the smoke dust removal of sterilization and oxygen
- Can be used in Car Park,garbage room
- 發光均勻, 對現有的T8燈進行改造
- SPM設計即電源電路保護, 在故障時可立即切斷單個LED電路
- 可選: 角度調節旋鈕
- 功能: 除甲醛外還具有除煙塵、殺菌和除氧作用
- 可用於停車場、垃圾房



Flick Free
(無閃頻)
保護視力



Specification 產品規格 >>

Model 型號	Voltage 電壓 (V)	Wattage 功率 (W)	Length 長度 (mm)	Lamp Life 光度壽命 (Hrs)	Colour Temp 色溫 (K)	Lumen Output 輸出流明 (Lm/W)	Color Rendering 顯色度 (CRI)	Lamp Base 燈腳	PCS/CTN 每箱數量 (pcs)
LT-I0609-NI128A	100~240	9	600	50000	3000/4000/6000	120	>80	T8,G13	25
LT-I0912-NI128A	100~240	12	900	50000	3000/4000/6000	120	>80	T8,G13	25
LT-I1218-NI128A	100~240	18	1200	50000	3000/4000/6000	120	>80	T8,G13	25
LT-I1522-NI128A	100~240	22	1500	50000	3000/4000/6000	120	>80	T8,G13	25

- Light efficiency (lm/W),Power (W),Color Rendering Index (CRI), Can be customized according to customer needs
- Our Standard Power factor (PF) > 0.9 and Total harmonic index THD < 15%, According to customer requirements can produce a lower THD < 10%
- This type of certification is issued by a government-approved laboratory for Safety certification, Fire testing, Restriction of Hazardous Substances(RoHS), Photobiological safety of lamps and lamp systems.(an Exemption Group) and other test certifications to ensure product quality
- 光效 (lm/W)、功率 (W)、顯色指數 (CRI), 可根據客戶需求定制
- 此型號標準之功率因素 (PF) > 0.9, 總諧波指數 THD < 15%, 可按客戶需要生產低總諧波指數 < 10%
- 此型號認證由可實驗室發出之安全認證消防測試, 環保物料 (RoHS), 光生物安全為 Exemption Group 及其它測試, 保證客戶使用更安心滿意

Anti UV Tube

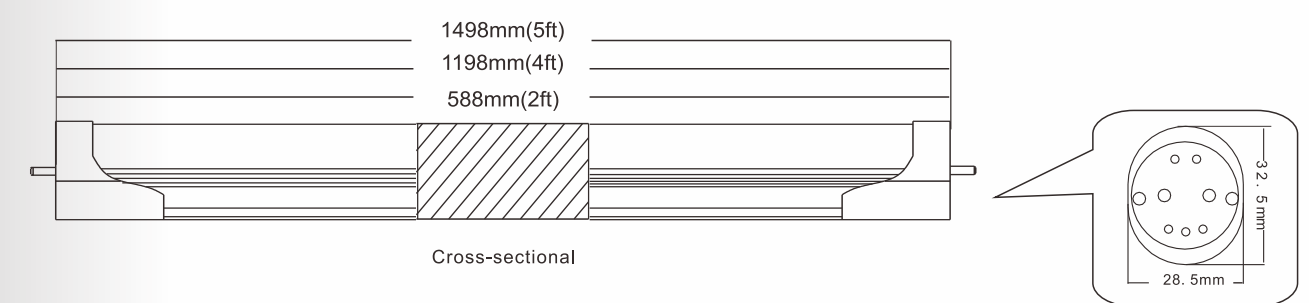
Series Type: UV

Features 產品特點 >>

- Uniform light emission
- SPM Design – power circuit protection to cut off individual LEDs when mal-functioned
- The uv-proof lamp tube can filter out the light wave below 500nm, and the uv-free light band is output
- Optional: rotary end knob for angle adjustment
- 發光均勻
- SPM設計即電源電路保護, 在故障時可立即切斷單個LED電路
- 防紫外线灯管可过滤掉500nm以下的光波, 无紫外线光波段输出
- 可選配: 角度調節旋鈕



Flick Free
(無閃頻)
保護視力



Specification 產品規格 >>

Model 型號	Voltage 電壓 (V)	Wattage 功率 (W)	Length 長度 (mm)	Lamp Life 光度壽命 (Hrs)	Colour Temp 色溫 (K)	Lumen Output 輸出流明 (Lm/W)	Color Rendering 顯色度 (CRI)	Lamp Base 燈腳	PCS/CTN 每箱數量 (pcs)
LT-I0609-UV128A	100~240	9	600	50000	3000/4000/6500	120	>80	T8,G13	25
LT-I1218-UV128A	100~240	18	1200	50000	3000/4000/6500	120	>80	T8,G13	25
LT-I1522-UV128A	100~240	22	1500	50000	3000/4000/6500	120	>80	T8,G13	25

- Light efficiency (lm/W),Power (W),Color Rendering Index (CRI), Can be customized according to customer needs
- Our Standard Power factor (PF) > 0.9 and Total harmonic index THD < 15%, According to customer requirements can produce a lower THD < 10%
- This type of certification is issued by a government-approved laboratory for Safety certification, Fire testing, Restriction of Hazardous Substances(RoHS), Photobiological safety of lamps and lamp systems.(an Exemption Group) and other test certifications to ensure product quality
- 光效 (lm/W)、功率 (W)、顯色指數 (CRI), 可根據客戶需求定制
- 此型號標準之功率因素 (PF) > 0.9, 總諧波指數 THD < 15%, 可按客戶需要生產低總諧波指數 < 10%
- 此型號認證由可實驗室發出之安全認證消防測試, 環保物料 (RoHS), 光生物安全為 Exemption Group 及其它測試, 保證客戶使用更安心滿意

LED PLC Tube

Series Type: IPL-C



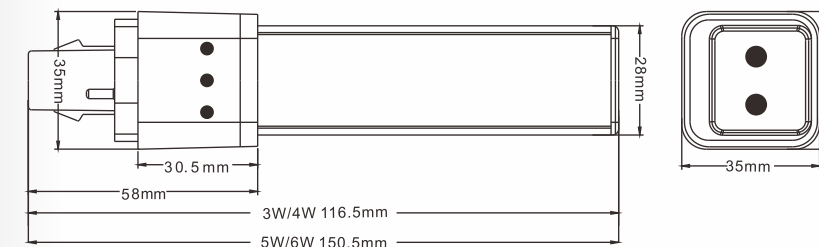
Flick Free
(無閃頻)
保護視力

Features 產品特點 >>

- Energy saving: It save 80% energy than traditional incandescent bulb
- Eco-Green: No radiation, no mercury, no lead, no harmful elements, all products can be recycled
- Long life span: 50,000 hours, 10 times over than traditional light
- High light Efficiency: The product can reach ,120lm/W
- It is safe and easy to be used and installed
This product is good for workshop, office, bank, hospital, shopping centre , subway, school, and other indoor places which require light of high luminosity and energy-saving



- 節能：比傳統白熾燈泡節能80%
- 生態綠色：無輻射、無汞、無鉛、無有害元素，所有產品均可回收利用
- 壽命長：使用壽命50000小時，是傳統光源的10倍
- 高光效：產品可達120lm/W
- 它很安全，易於使用和安裝
- 本產品適用於車間、辦公室、銀行、醫院、商場、捷運、學校等要求高亮度、節能的室內場所



Specification 產品規格 >>

Model 型號	Voltage 電壓 (V)	Wattage 功率 (W)	Standard size 標準尺寸 (mm)	Lamp Life 光度壽命 (Hrs)	Colour Temp 色溫 (K)	Lumen Output 輸出流明 (Lm/W)	Color Rendering 顯色度 (CRI)	Operating Temperature 工作溫度 (°C)	Lamp Base 燈腳	PCS/CTN 每箱數量 (pcs)
IPL-C03-H128A	85~265	3	35*35*116.5	50000	3000/4000/6500	120	>80	-20~40	G24	25
IPL-C04-H128A	85~265	4	35*35*116.5	50000	3000/4000/6500	120	>80	-20~40	G24	25
IPL-C05-H128A	85~265	5	35*35*150.5	50000	3000/4000/6500	120	>80	-20~40	G24	25
IPL-C06-H128A	85~265	6	35*35*150.5	50000	3000/4000/6500	120	>80	-20~40	G24	25

- Light efficiency (lm/W), Power (W), Color Rendering Index (CRI), Can be customized according to customer needs
- Our Standard Power factor (PF) > 0.9 and Total harmonic index THD < 15%, According to customer requirements can produce a lower THD < 10%
- This type of certification is issued by a government-approved laboratory for Safety certification, Fire testing, Restriction of Hazardous Substances (RoHS), Photobiological safety of lamps and lamp systems. (an Exemption Group) and other test certifications to ensure product quality
- 光效 (lm/W)、功率 (W)、顯色指數 (CRI)，可根據客戶需求定制
- 此型號標準之功率因素 (PF) > 0.9，總諧波指數 THD < 15%，可按客戶需要生產低總諧波指數 < 10%
- 此型號認證由可實驗室發出之安全認證消防測試，環保物料 (RoHS)，光生物安全為 Exemption Group 及其它測試，保證客戶使用更安心滿意

PL Tube Series

橫插燈系列



PCS/CTN
每箱數量
(pcs)

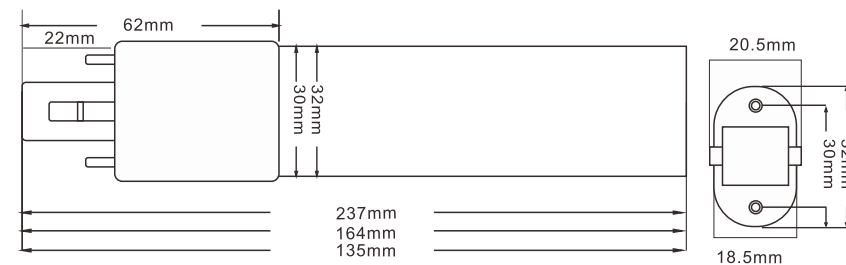
LED PLS Tube

Series Type: IPL-S

Features 產品特點 >>

- Energy saving: It save 80% energy than traditional incandescent bulb
- Eco-Green: No radiation, no mercury, no lead, no harmful elements, all products can be recycled
- Long life span: 50,000 hours, 10 times over than traditional light
- High light Efficiency: The product can reach,120lm/W
- It is safe and easy to be used and installed
- This product is good for workshop, office, bank, hospital, shopping centre , subway, school, and other indoor places which require light of high luminosity and energy-saving

- 節能:比傳統白熾燈泡節能80%
- 生態綠色:無輻射、無汞、無鉛、無有害元素,所有產品均可回收利用
- 壽命長:使用壽命50000小時,是傳統光源的10倍
- 高光效:產品可達120lm/W
- 它很安全,易於使用和安裝
- 本產品適用於車間、辦公室、銀行、醫院、商場、捷運、學校等要求高亮度、節能的室內場所



Specification 產品規格 >>

Model 型號	Voltage 電壓 (V)	Wattage 功率 (W)	Standard size 標準尺寸 (mm)	Lamp Life 光度壽命 (Hrs)	Colour Temp 色溫 (K)	Lumen Output 輸出流明 (Lm/W)	Color Rendering 顯色度 (CRI)	Operating Temperature 工作溫度 (°C)	Lamp Base 燈腳	PCS/CTN 每箱數量 (pcs)
IPL-S03-H128A	85~265	3	32*30*135	50000	3000/4000/6500	120	>80	-20~40	G23	25
IPL-S04-H128A	85~265	4	32*30*165	50000	3000/4000/6500	120	>80	-20~40	G23	25
IPL-S07-H128A	85~265	5	32*30*237	50000	3000/4000/6500	120	>80	-20~40	G23	25

- Light efficiency (lm/W),Power (W),Color Rendering Index (CRI), Can be customized according to customer needs
- Our Standard Power factor (PF) > 0.9 and Total harmonic index THD < 15%, According to customer requirements can produce a lower THD< 10%
- This type of certification is issued by a government-approved laboratory for Safety certification, Fire testing, Restriction of Hazardous Substances(RoHS), Photobiological safety of lamps and lamp systems.(an Exemption Group) and other test certifications to ensure product quality
- 光效 (lm/W)、功率 (W)、顯色指數 (CRI), 可根據客戶需求定制
- 此型號標準之功率因素 (PF) > 0.9, 總諧波指數 THD < 15%, 可按客戶需要生產低總諧波指數 < 10%
- 此型號認證由可實驗室發出之安全認證消防測試, 環保物料 (RoHS), 光生物安全為 Exemption Group 及其它測試, 保證客戶使用更安心滿意

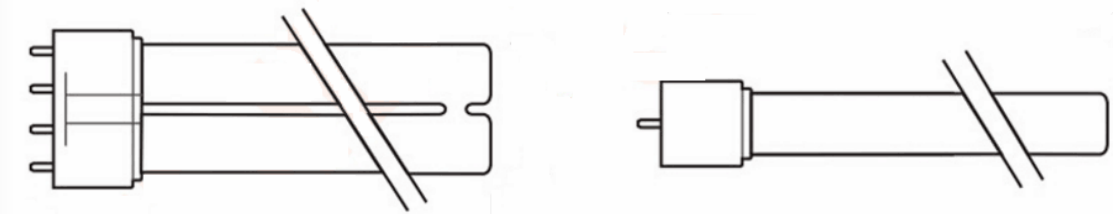
LED PLL Tube

Series Type: IPL-L

Features 產品特點 >>

- Energy saving: It save 80% energy than traditional incandescent bulb
- Eco-Green: No radiation, no mercury, no lead, no harmful elements, all products can be recycled
- Long life span: 50,000 hours, 10 times over than traditional light
- High light Efficiency: The product can reach,120lm/W
- It is safe and easy to be used and installed
- This product is good for workshop, office, bank, hospital, shopping centre , subway, school, and other indoor places which require light of high luminosity and energy-saving

- 節能:比傳統白熾燈泡節能80%
- 生態綠色:無輻射、無汞、無鉛、無有害元素,所有產品均可回收利用
- 壽命長:使用壽命50000小時,是傳統光源的10倍
- 高光效:產品可達120lm/W
- 它很安全,易於使用和安裝
- 本產品適用於車間、辦公室、銀行、醫院、商場、捷運、學校等要求高亮度、節能的室內場所



Specification 產品規格 >>

Model 型號	Voltage 電壓 (V)	Wattage 功率 (W)	Standard size 標準尺寸 (mm)	Lamp Life 光度壽命 (Hrs)	Colour Temp 色溫 (K)	Lumen Output 輸出流明 (Lm/W)	Color Rendering 顯色度 (CRI)	Operating Temperature 工作溫度 (°C)	Lamp Base 燈腳	PCS/CTN 每箱數量 (pcs)
IPL-L0208-H128A	85~265	8	43*29*255	50000	3000/4000/6500	120	>80	-20~40	2G11	25
IPL-L0310-H128A	85~265	10	43*29*320	50000	3000/4000/6500	120	>80	-20~40	2G11	25
IPL-L0415-H128A	85~265	15	43*29*410	50000	3000/4000/6500	120	>80	-20~40	2G11	25
IPL-L0520-H128A	85~265	20	43*29*535	50000	3000/4000/6500	120	>80	-20~40	2G11	25

- Light efficiency (lm/W),Power (W),Color Rendering Index (CRI), Can be customized according to customer needs
- Our Standard Power factor (PF) > 0.9 and Total harmonic index THD < 15%, According to customer requirements can produce a lower THD< 10%
- This type of certification is issued by a government-approved laboratory for Safety certification, Fire testing, Restriction of Hazardous Substances(RoHS), Photobiological safety of lamps and lamp systems.(an Exemption Group) and other test certifications to ensure product quality
- 光效 (lm/W)、功率 (W)、顯色指數 (CRI), 可根據客戶需求定制
- 此型號標準之功率因素 (PF) > 0.9, 總諧波指數 THD < 15%, 可按客戶需要生產低總諧波指數 < 10%
- 此型號認證由可實驗室發出之安全認證消防測試, 環保物料 (RoHS), 光生物安全為 Exemption Group 及其它測試, 保證客戶使用更安心滿意