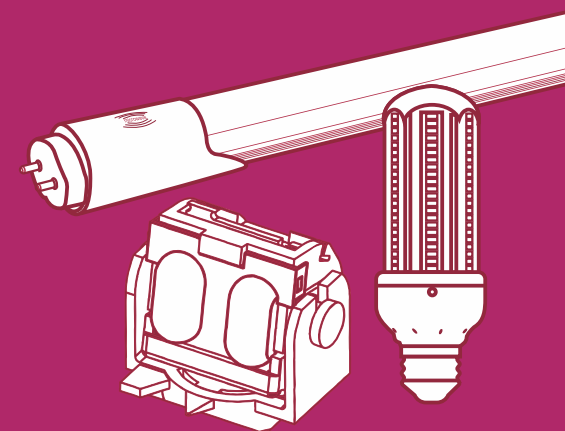


# LED LIGHTING SERIES



# CATALOG

## Sensor Applications

iLighting Global Enterprise Co., Ltd.  
[www.ilighting.com.hk](http://www.ilighting.com.hk)



**iLighting Global Enterprise Co., Ltd.**

Office Address: Room B3, 18/F Bonsun Industrial Building,  
364-366 Sha Tsui Road, Tsuen Wan, HongKong

Phone: 852-3107 7500

Fax: 852-3544 0462

Email: [info@ilighting.com.hk](mailto:info@ilighting.com.hk)

Website: [www.ilighting.com.hk](http://www.ilighting.com.hk)



# Sensor Applications

LED Lighting Series

---



# CONTENTS

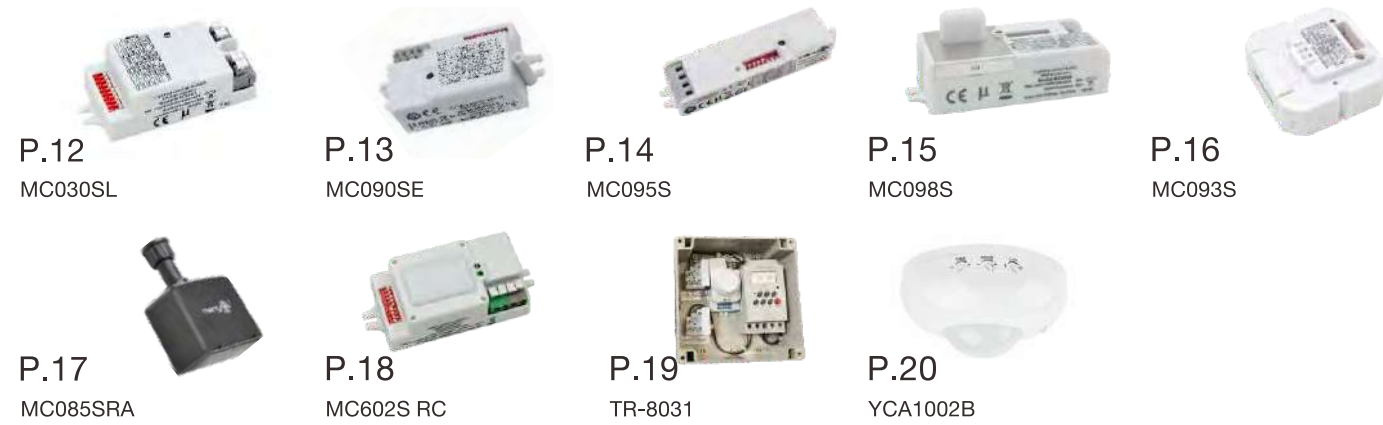
## CONTENTS

Company Profile 公司簡介	1-2
Lighting Basic Concept 照明基本概念	3-6
Fundamental 基本原理	7-8
Master-slave Control, Wireless Networking 主從控制、無線組網	9-10
Sensor Switch 感應開關	11-20
Sensor Dimmer Switch 感應調光開關	21-26
Sensor LED Tube Series 感應LED燈管系列	27-39
Sensor Engineering Lighting Series 感應工程照明系列	40-54
Sensor UVC Series 感應 UVC 系列	55-58

Sensors  
Application

# A

Sensor switch  
感應開關



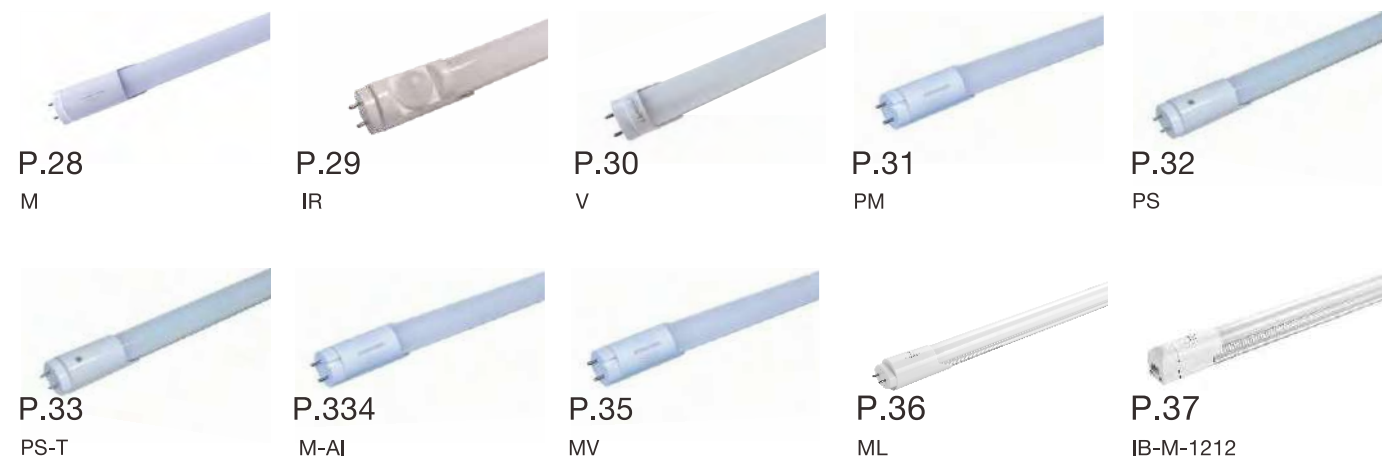
# B

Sensor dimmer switch  
感應調光開關



# C

Sensor LED tube series  
感應LED燈管系列



# D

Sensor engineering lighting series  
感應工程照明系列



# E

Sensor UVC series  
感應 UVC 系列



# Company Profile

## 公司簡介

### ABOUT US 關於我們

iLIGHTING Global Enterprise Co. Ltd. emerges as a professional and high-end lighting designer, manufacturer and supplier established in Hong Kong and Mainland China under the Brand name 'iLighting' since 2007. The company is also a strategic OEM/ODM partner of many organization-wide lighting brands. The company devotes herself in the development, manufacturing and marketing of green, low-carbon and energy-saving lighting products. With continuous investment on R&D, we are proud to provide a wide range of LED products and work with worldwide partners in developing and managing Energy Management System (EMS) through the application of 5G and WiFi technology.

iLIGHTING智能環球企業有限公司自2007年起成為一家專業的高端照明設計師、製造商和供應商。自在香港和中國大陸以“iLighting”的名字成立以來，公司也成為了許多照明品牌的戰略性OEM/ODM合作夥伴。公司致力於綠色、低碳、節能照明產品的開發、製造和銷售，憑藉對研發的持續投資，我們自豪地提供範圍廣泛的LED產品，並通過應用5G和WiFi科技與全球合作夥伴合作開發和管理能源管理系統(EMS)。

### Product Capacity 生產能力

- LED lighting with integrated design and built-in advanced electronic driver for building lighting retrofit.
- LED indoor and outdoor lighting with internal and external drivers.
- LED lighting emergency fitting and charging packs.
- Extra long life LED lamps for high power high bay and flood lights.
- Total system solution for dimming lighting control deploying WiFi, DALI, Lonwork, Bluetooth 4.0, Zigbee technologies.
- OEM / ODM energy saving lighting as required by clients for new and retrofit installation.
- Total Energy Management Solution for Intelligent Building Management.
- LED照明與集成設計和內置先進的電子驅動器，用於建築照明改造。
- 室內和室外LED照明，有內部和外部驅動器。
- LED照明應急配件和充電器。
- 超長壽命LED燈，適用於大功率高位燈和泛光燈。
- 全系統調光照明控制解決方案，採用WiFi、DALI、Lonwork, Bluetooth 4.0, Zigbee 通訊技術。
- OEM/ODM節能照明，可根據客戶的要求進行更新改造。
- 智能建築管理的全能量管理解決方案。

### Our Mission 我們的使命

We look to serve our client with the best quality of products and viable solutions of energy management system through intelligent system integration. Product adaptability is our strength ; continuous improvement is our norm of work and meeting customer satisfaction is our goal.

我們希望通過智能系統集成，為客戶提供最優質的產品和可行的能源管理系統解決方案。產品適應性是我們的優勢，持續改進是我們的工作準則，滿足客戶滿意是我們的目標。

### Our Advantages 我們的優勢

- Excellent after-sale services.
- OEM and ODM for global lighting companies.
- Flexible design and tailor-made products to suit retrofit projects.
- 優良的售後服務。
- 為全球照明公司提供OEM和ODM。
- 靈活的設計和訂制的產品，以適應更新改造項目。



#### Office Address:

Room B3, 18/F Bonsun Industrial Building, 364-366 Sha Tsui Road, Tsuen Wan, HongKong

Phone: 852-3107 7500

Fax: 852-3544 0462

Email: info@ilighting.com.hk

Website: www.ilighting.com.hk



# Lighting Basic Concept

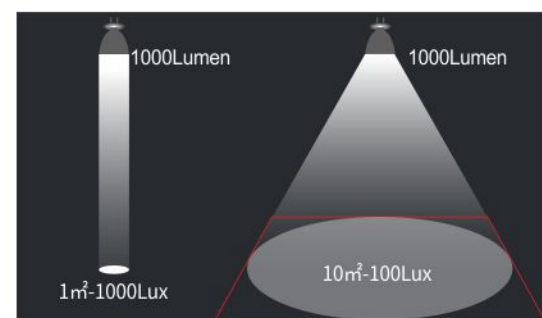
## 照明基本概念



### Lumen 流明

Lumen 實際上是代表著光的強度，也就是光通量(Luminous flux)即指光源在某單位時間內所發出之光線總數量。一般稱作光束)的單位，簡而言之，流明就是光束照在物體表面的量。

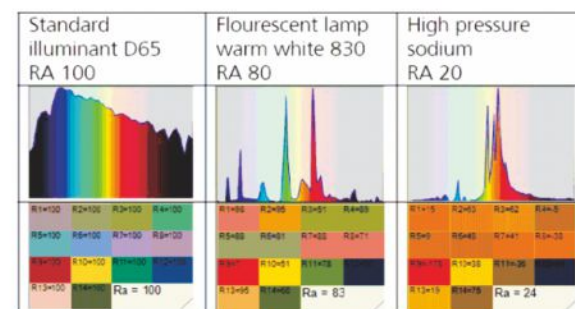
Lumen actually represents the intensity of lights. that is, the luminous flux(Luminous Flux) refers to the unit of the total amount of light emitted by a light source in a unit time, generally referred to as the light beam. In short, lumens is the light beam Amount on the surface of the object.



### Color Rendering Index 顯色度

顯色度以Ra來表示，天然光的顯色度為100 Ra，顯色度越接近100Ra，我們看到的顏色就越接近物體的自然原色。也就是顏色逼真的程度，顯色度高 我們所看到的顏色也就是較接近自然原色，顯色度低對於顏色的表現較差，所看到的顏色偏差也延遲。

Color rendering is represented by Ra, the color rendering of natural light is 100 Ra, the closer the color rendering is to 100 Ra, the color we see is closer to the natural primary color of the object. Color is realistic. The degree of color rendering is high. The color we see is close to natural primary color, low color rendering, poor performance for color, The color deviation seen is also delayed.



### Color Temperature 色溫

色溫及不同色溫應用什麼環境——以絕對溫度 K(kelvin)來表示，色溫度 3000k以下時，光色有偏紅的現象(黃光)，給予一種溫暖、親切、舒適的感覺；色溫度超過 5000k時，顏色則偏向藍光(白光)，給人一種清冷的感覺，令環境變得清淨和寧靜。通常亞熱帶人較喜歡清冷 4000k以上，而寒帶的人較喜歡 4000k以下的色溫度。

Color temperature and what environment is used for different color temperatures-expressed in absolute temperature K (kelvin), when the color temperature is below 3000k, the light color has a reddish phenomenon (yellow light), giving a warm, friendly, comfortable feeling; color temperature exceeds 5000k At this time, the color is biased towards blue light (white light), giving a cool feeling. Make the environment clear and peaceful.

Generally, people in the subtropics prefer cold temperatures above 4000k, while those in the cold regions prefer colors below 4000k.

WB SETTINGS	COLOR TEMPERATURE	LIGHT SOURCES
	10000-15000K	Clear Blue Sky
	6500-8000K	Cloudy Sky / Shade
	6000-7000K	Noon Sunlight
	5500-6500K	Average Daylight
	5000-5500K	Electronic Flash
	4000-5000K	Fluorescent Light
	3000-4000K	Early AM/ Late PM
	2500-3000K	Domestic Lighting
	1000-2000K	Candle Flame



### Fire Proof Material 物料防火等級

塑料阻燃等級由 HB, V-2, V-1向V-0逐級遞增。

HB: UL94標準中最低的阻燃等級，要求對於3到13毫米厚的樣品，燃燒速度小於 40毫米每分鐘；小於 3毫米厚的樣品，燃燒速度小於 70毫米每分鐘；或者在 100毫米的標誌前熄滅。

V-2: 對樣品進行兩次 10秒的燃燒測試後，火焰在 30秒內熄滅，可以引燃 30cm下方的藥棉。

V-1: 對樣品進行兩次 10秒的燃燒測試後，火焰在 30秒內熄滅，不能引燃 30cm下方的藥棉。

V-0: 對樣品進行兩次 10秒的燃燒測試後，火焰在 10秒內熄滅，不能有燃燒物掉下。

Plastic flame retardant grades are gradually increased from HB, V-2, V-1 to V-0.

HB: The lowest flame retardant grade in the UL94 standard, Require for 3 to 13mm thick samples with a burning rate of less than 40 mm per minute; less than 3 mm thick samples with a burning rate of less than 70 mm per minute; or stop at 100 mm sign.

V-2: After two 10-second burn tests on the sample, the

flame stops at 30 seconds, would ignite cotton wool below 30cm.

V-1: After two 10-second fire tests on the sample, the flame was at 30 seconds Inside goes out. Would not ignite cotton wool below 30cm.

V-0: After two 10-second burn tests on the sample, the flame stops at 10 seconds. No burning substances should fall off.



### Power Factor 功率因數

日常使用的交流電壓是電壓高低不斷地在變化的，理想情況下，電壓和電流相位完全同相，Pf=1。同步下最大的發揮電線的傳輸效率。這情況下用電設備所使用的所有功率叫稱功功率。

電器的最大電流瞬間比電網最高電壓的瞬時提前或滯後，那就

會降低電線的效率。由於其不同步，電線內阻造成額外的功率損耗，這部分損耗的功率稱無功率。

The AC voltage used in daily life is constantly changing in voltage, ideally in the following, voltage and current are called in-phase, and PF= 1. Can make the most of the wire transmission efficiency. In this case, all the power used by the electrical equipment is called active power.

The maximum current of the appliance is instantaneously earlier or later than the instant of the maximum voltage of the power grid. Will reduce the efficiency of the wire. Due to its non-synchronization, the internal resistance of the wire causes additional power loss, the power lost in this part is called no power. Therefore, we generally

want to make the electrical equipment as much as possible. The highest voltage is synchronized. The closer the PF is to 1, the more synchronized the wire loss is the more environmentally friendly.

Minimum Allowable Power Factor For Non-Directional LED Lamp With Integrated Driver

Rated Lamp Wattage(LW)	minimum allowable power factor
LW ≤ 5W	0.5
5W < LW ≤ 25W	0.7
LW > 25W	0.9

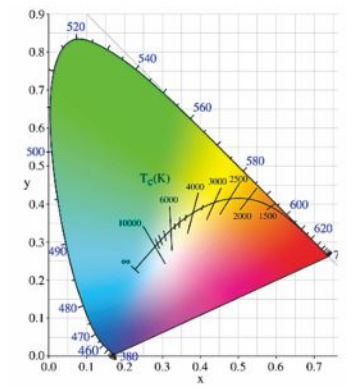
Minimum Allowable Power Factor For Directional LED Lamp With Integrated Driver

Rated Lamp Wattage(LW)	minimum allowable power factor
LW ≤ 5W	0.5
5W < LW ≤ 25W	0.7
LW > 25W	0.9

Information refer to Hong Kong Voluntary Energy Efficiency Labelling for LED lamp-January 2017 EMSD (Electrical and Mechanical Services Department)

Nominal CCT	Target CCT and tolerance(K)	Target DUV and tolerance(K)
2700k	2725 ± 145	0.000 ± 0.006
3000k	3045 ± 175	0.000 ± 0.006
3500k	3465 ± 245	0.000 ± 0.006
4000k	3985 ± 275	0.001 ± 0.006
4500k	4503 ± 243	0.001 ± 0.006
5000k	5026 ± 283	0.002 ± 0.006
5700k	5665 ± 355	0.002 ± 0.006
6500k	6530 ± 510	0.003 ± 0.006
Flexible CCT(2700-6500k)	T <sub>r</sub> ± ΔT <sub>r</sub>	D <sub>v</sub> ± 0.006

The LED lamp must have one of the rated Correlated Colour Temperatures (CCTs) including 2700K,3000K,3500K,4000K,4500K,5000K,5700K,6500K and flexible CCT consistent with the 7-step chromaticity, quadrangles and Duv tolerances as indicated in Table 1. The measured initial CCT and initial DUV shall be within the tolerances of target CCT and target DUV of the selected rated CCT.



## Stroboscopic Suppression 頻閃抑制

理想的光源亮度是鎮流後之直流電壓恆定不變的，這就是理論上的絕對無頻閃。實際上我們平常使用的燈具直流電壓都不會真正的恆定不變，週期的亮度高低變化程度就是頻率。

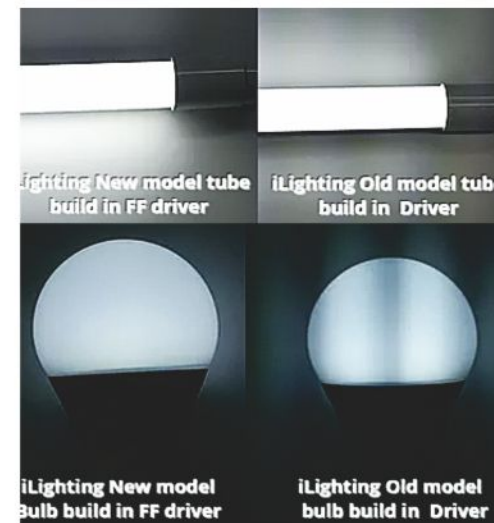
市面常見LED驅動電路，頻閃深度最大的頻率一般都是100HZ左右。因為PWM高頻是調製在50HZ整流後的電壓上。實際燈具中，任何的頻率上都有一定的頻閃深度（最亮的亮

度和最暗的亮度之差）。那麼，這裡就存在一個頻閃深度最大的時候所對應的頻閃頻率。還有就是最大的頻閃深度值。頻閃頻率越高對人的影響越小，頻閃深度越小對人的影響越小，總體來說頻閃深度越小對人降低或消除導致視力疲勞的低頻率光，減輕眼睛負擔，關愛眼睛。

Ideal light source brightness is constant, which is absolute no stroboscopic depth. In fact, the brightness of the lamps we usually install will not be truly stable. The degree of change in the brightness within the period is the frequency.

The common LED drive circuit in the market has the stroboscopic depth at frequency 100 HZ or so. This is because PWM high frequency is modulated on the voltage after 50 HZ rectification. In actual lamps, there will be a certain stroboscopic depth at any frequency. (The difference between the greatest brightest and smallest brightness). Well, there would be the strobe frequency corresponding to the maximum stroboscopic depth, that has the biggest strobe depth value.

The higher the strobe frequency, the smaller the impact is on peoples. As a conclusion, the lower the stroboscopic depth can reduce or eliminate low-frequency light vision fatigue that reduces the burden on the eyes and cares about eye health.



## LED International Standard For Chromaticity Difference LED 光源色度差異之國際標準

Chromaticity Tolerances

Quadrangles

— In both ΔCCT and Duv directions

— Approximately equal to 7-step MacAdam ellipses



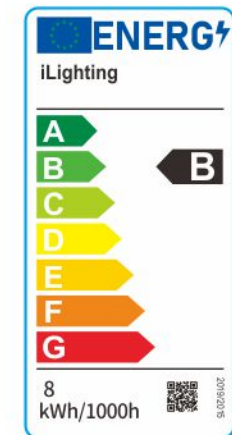
## Light Source Efficiency lm/w (lumen efficiency) 光源效率 lm/w (流明效率)

光源的效率取決於其所發出的光的流明除以起耗電量所得值LED光亮度，並非似功耗(W)度量，而是以流明輸出(lm)來決定。

iLighting LED 流明效益高，更有歐洲B級能源標籤，保證節電環保。

The efficiency of a light source depends on the lumen of the light it emits divided by the power consumption LED brightness is not similar to wattage (W) measurement, but measured in lumens output (lm) Decide.

iLighting LED Lumen has high lumen efficiency, and it also has obtained European B energy label to ensure power saving and environmental protection.

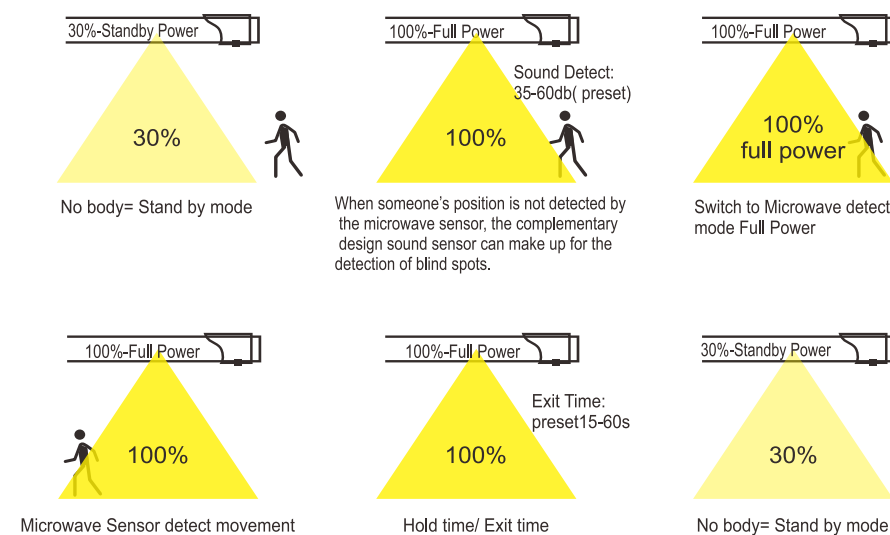


# Fundamental 基本原理

## Basic principles of voice control 聲控基本原理

一種由聲音信號控制其開關狀態的燈，它由燈負載、與燈負載串聯的可控矽元件及聲控電路構成。聲控電路由電源部分、諧振放大部分和觸發器組成，電源部分用於提供所需直流電壓，諧振放大部分用於將聲音信號轉換成電信號並進行放大，該部分包括一振盪電路，用於排除干擾信號對該燈狀態的影響，觸發器用於實現狀態保持與轉換。本發明的聲控燈具有控制範圍大和抗干擾能力強之優點。

A lamp whose on-off state is controlled by a sound signal. It is composed of a lamp load, a thyristor element connected in series with the lamp load and a sound control circuit. The sound control circuit is composed of a power supply part, a resonance amplification part and a trigger. The power supply part is used to provide the required DC voltage, and the resonance amplification part is used to convert the sound signal into an electrical signal and amplify it. The influence of the interference signal on the state of the lamp, the trigger is used to realize the state maintenance and conversion. The sound control lamp of the present invention has the advantages of large control range and strong anti-interference ability.



## Basic principles of microwave 微波基本原理

微波感應開關，又稱微波感應開關，是根據多普勒效應為基礎，採用最先進的平面天線，可有效抑制高次諧波和其他雜波的干擾、靈敏度高、可靠性強、安全方便、智慧節能，是樓宇智能化和物業管理現代化的首選產品。

微波感應開關功能與特點：

1. 智能感應：當有人進入探測範圍，微波探測器工作點亮燈，當人離開探測範圍後，燈自動熄滅。它可自動識別白天和黑夜。
2. 智能延時：開關在檢測到人體的每一次活動後會自動順延一個週期，並以最後一次人體活動順延時間為起始點。
3. 工作方式：感應開關接通後，在延時時間段內，如有人體活動，

開關將持續接通，直到人離開並順延時間。

4. 光敏控制：根據外界的光線強度，來控制開關是否工作，以達到節能效果。

5. 與紅外產品比較：微波開關感應距離更遠，角度廣，無死區，能穿透玻璃，和薄木板，根據功率不同，可以穿透不同厚度的牆壁，不受環境、溫度、灰塵等影響，在37度情況下，感應距離不會縮短。微波開關是紅外開關的理想更新換代產品。

使用範圍：走廊、樓道、衛生間、地下室、車庫、倉庫、監控等節能自動照明場所。

Radar sensor switch, also known as microwave sensor switch, is based on the Doppler effect and adopts the most advanced planar antenna, which can effectively suppress the interference of high-order harmonics and other clutter, with high sensitivity, strong reliability, safety and convenience. Smart energy saving is the first choice for building intelligence and property management modernization.

Radar sensor switch function and characteristics:

1. Intelligent induction: When someone enters the detection range, the microwave detector works and lights up, and when the person leaves the detection courtyard, the light automatically goes out. It can automatically recognize day and night.

2. Intelligent delay: The switch will automatically extend a cycle after detecting each human activity, and start with the last human activity delay time.

3. Working mode: After the induction switch is turned on, if there is human activity during the delay time period, the switch will continue to be turned on until the person leaves and the time is extended.

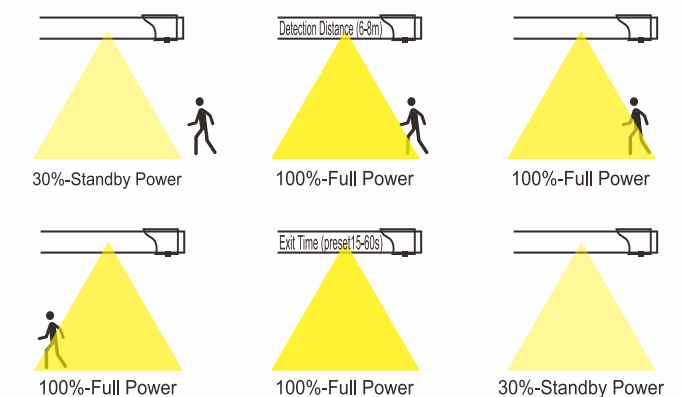
4. Photosensitive control: According to the external light intensity, to control whether the switch is working or not to achieve energy saving effect.

5. Compared with infrared products: radar switch has a longer sensing distance, wide angle, no dead zone, can penetrate glass, and thin wood, depending on the power, can penetrate walls of different thicknesses, and is not affected by environment, temperature, dust. In the case of 37 degrees, the sensing distance will not be shortened. Radar switch is an ideal replacement product for infrared switch.

Scope of application: energy-saving automatic lighting places such as corridors, corridors, bathrooms, basements, garages, warehouses, and surveillance.

## Basic principles of infrared sensing 紅外感應基本原理

人體感應開關主要由人體熱釋電紅外感測器構成，由於人體體溫恒定，因此其釋放出的紅外線波長一定。當紅外感測器的探頭接收到人類釋放的紅外線時，通過菲涅爾鏡片將其聚焦在熱釋電元件上，該元件上的電荷平衡被打破，向外釋放電荷，紅外感測器所連電路通過對其電荷的檢測得知有人類存在，便控制開關處於“開”的狀態，完成人體感應。當人類離開一段時間內，開關會持續處於“開”的狀態，而超過設定的延時時間後，紅外感測器感應不到人類的存在，便將開關狀態切換為“關閉”。



The human body induction switch is mainly composed of a human body pyroelectric infrared sensor. Since the human body temperature is constant, the infrared wavelength emitted by it is constant. When the infrared sensor probe receives the infrared rays emitted by humans, it is focused on the pyroelectric element through the Fresnel lens, the charge balance on the element is broken, and the charge is released outward, and the infrared sensor is connected to the circuit. Through the detection of its charge, it is known that there is a human being, and the switch is controlled to be in the "on" state to complete human body induction. When a human is away for a period of time, the switch will continue to be in the "on" state, and after the set delay time is exceeded, the infrared sensor cannot sense the presence of human beings, and the switch state is switched to "off".

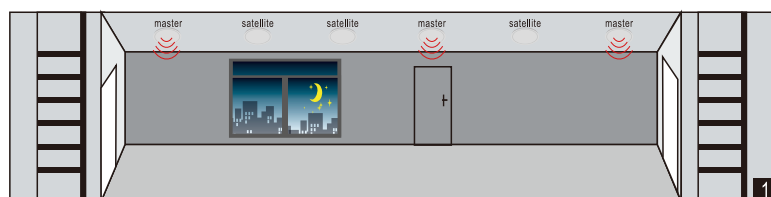


# Master-slave Control, Wireless Networking 主從控制、無線組網

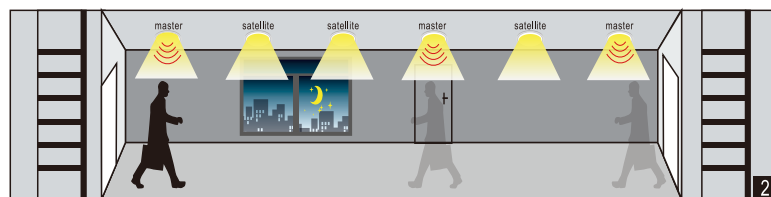


## Master-slave control 主從控制

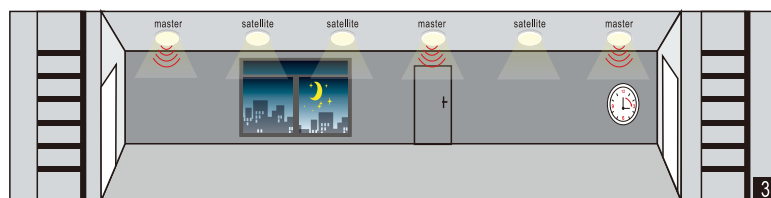
當檢測不到人體移動時，所有的燈都會關閉。  
When no movement is detected, all lights turn off.



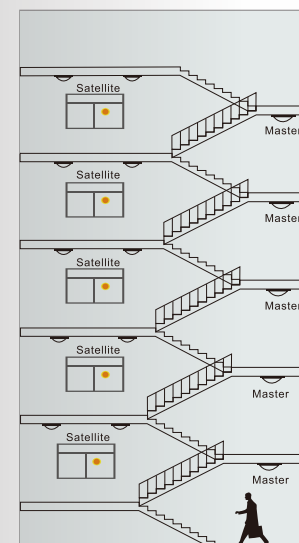
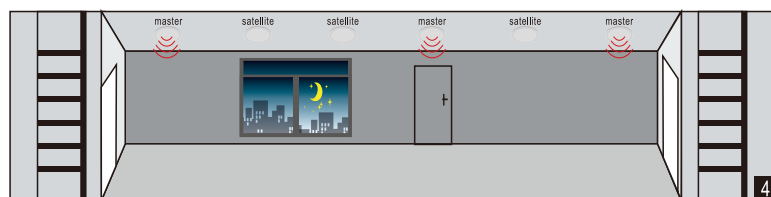
在環境光不足時，在任何角度，如有人體移動被主感應器檢測到，所有的燈將會同時打開。  
When the ambient light is insufficient, the main sensor detects the movement of the human body, and all the lights are turned on at the same time.



延時時間過後，如果沒有新的人體移動訊號觸發感應器，所有的燈都會調為低亮亮度。  
After the delay time, if there is no new human movement signal to trigger the sensor, all the lights will be adjusted to low brightness.

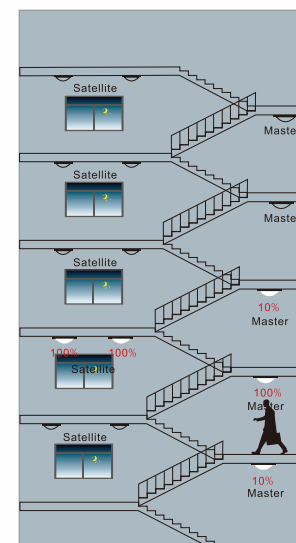


守候時間過後，主感應器在檢測區沒檢測到人體移動時，所有的燈具將會關閉。  
After the waiting time, when the main sensor does not detect human movement in the detection area, all lights will be turned off.



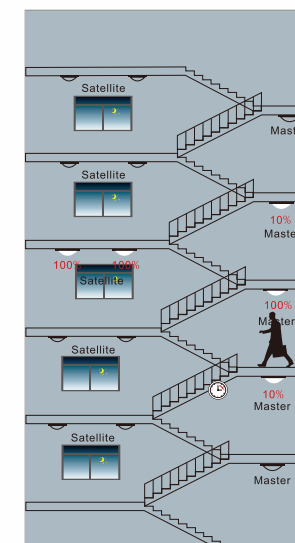
1 當環境光高於預設值時，即使檢測到人體移動，所有的燈保持關閉狀態。

When the ambient light is higher than the preset value, even if the human body is detected to move, all the lights remain off.



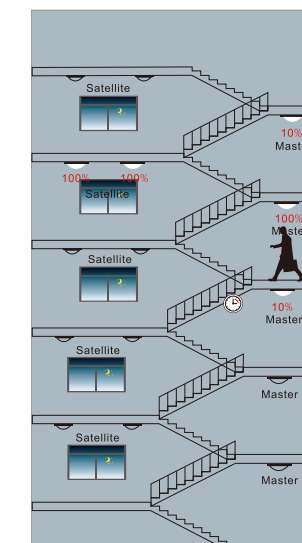
2 當環境光低於預設值時，2樓檢測到人體移動，同一樓層的燈全亮，上下兩層的燈喚醒至低亮狀態。

When the ambient light is lower than the preset value, human movement is detected on the second floor, the lights on the same floor are all on, and the lights on the upper and lower floors wake up to a low light state.



3 當人走到3樓的時候，3樓的燈全亮，4樓的燈低亮2樓的燈守候時間之後低亮。

When people walk to the 3rd floor, the lights on the 3rd floor are all on, and the lights on the 4th floor are on low.



4 當人走到4樓的時候，4樓的燈全亮，3樓、5樓的燈低亮，2樓的燈延時時間過後斷。

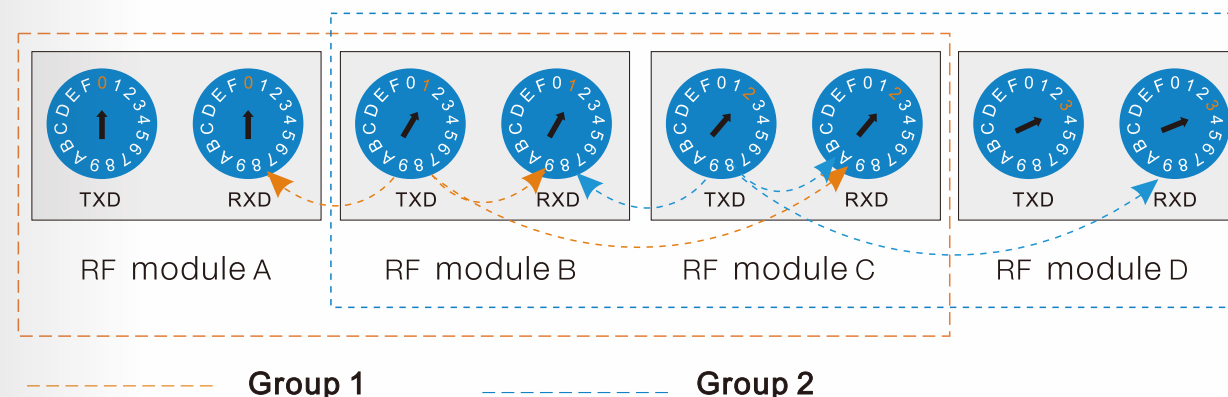
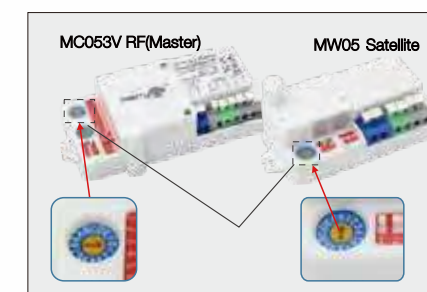
When people walk to the 4th floor, the lights on the 4th floor are all on, the lights on the 3rd and 5th floors are on low, and the lights on the 2nd floor are turned off after the delay time.



## Wireless Networking 無線組網(可創建多達32個不同的分組)

MC053 V RF有1個TX編碼器，MW05有1個RX編碼器。TX編碼器用於發射RF訊號，RX編碼器用於接收相同編碼的RF訊號。使用小螺絲刀旋轉編碼器使它們指向相同的序號，將會實現組網連接。

Mc053V RF has one TX encoder and mw05 has one RX encoder. TX encoder is used to transmit RF signal, RX encoder is used to receive RF signal with the same code. Using a small screw driver to rotate the encoder to make them point to the same serial number will realize networking connection.



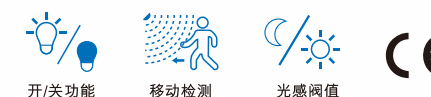
# Sensor Switch

Series Type: MC030SL

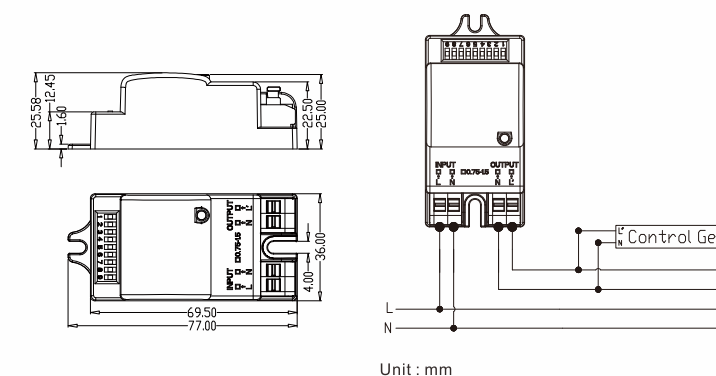


## Features 產品特點 >>

- Small installation size, easy to install inside the lamp
- Dial code to set sensing distance, sensing delay, light sensing threshold related functions, simple operation
- Double input and output push-type terminals are used to facilitate user wiring
- Bright and dark settings: 2lux/10lux/25lux/50lux/disable



- 安裝尺寸小巧, 極易安裝在燈具內部
- 撥碼設置感應距離、感應延時、光感閾值相關功能, 操作簡單
- 採用雙輸入輸出按壓式端子, 方便用戶接線
- 亮暗設置: 2lux/10lux/25lux/50lux/disable



## Specification 產品規格 >>

Model 型號	Voltage 電壓	Specified Load 額定負載	Transmitting power 發射功率	Sensing range 感應範圍	Sensing distance 感應距離	Delay time 延遲時間	Operating temp 工作溫度	Size 尺寸
	(V)	(W)	(mW)	(°)	(m)		(°C)	(mm)
IL-MC030SL	185~265	40~300	<0.5	360	6m Max	5S/30S/90S/3min/20min/30min	-20~60	90*42*43

- Product specifications, some can be customized according to customer needs
- This type of certification is issued by the laboratory for safety certification, fire testing, environmental protection materials (RoHS), photobiological safety for Exemption Group and other tests to ensure that customers are more comfortable and satisfied.

- 產品規格參數, 部分可根據客戶需求定制
- 此型號認證由可實驗室發出之安全認證消防測試, 環保物料 (RoHS), 光生物安全為Exemption Group及其它測試, 保證客戶使用更安心滿意

# Sensor Switch

感應開關



# Sensor Switch

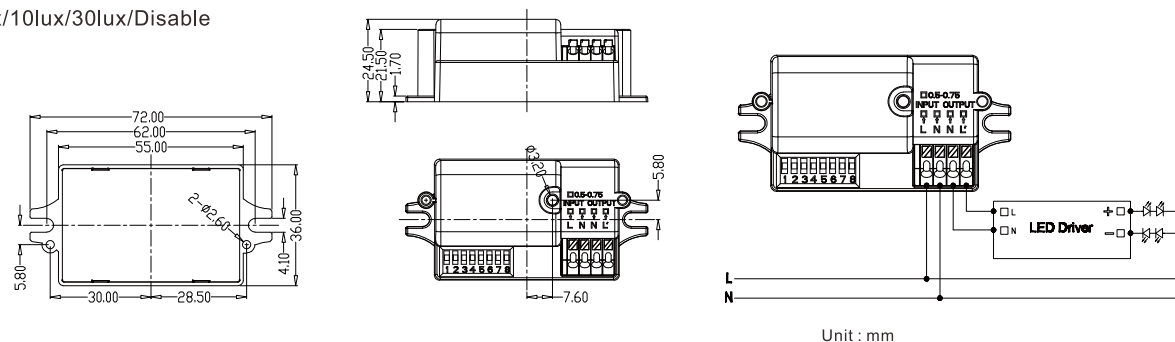
Series Type: MC090SE

## Features 產品特點 >>

- It has strong environmental adaptability and can be used in a metal environment. It can resist false triggers such as mosquitoes, birds, and leaf floating.
- The infrared light sensing technology is adopted to solve the problem of large deviation of light sensing values on sunny, cloudy, rainy and other days.
- Two installation methods (surface and bottom screw installation), suitable for a variety of lamp installations.
- Bright and dark settings: 2lux/10lux/25lux/50lux/disable



- 環境適應性強，可內置於金屬環境中使用，可抵抗蚊蟲、飛鳥、樹葉飄動等誤觸發
- 採用濾除紅外光感技術，解決晴天、陰天、雨天等光感值偏差較大的問題
- 兩種安裝方式（表面和底部螺絲安裝），適用於多種燈具安裝
- 亮暗設置：2lux/10lux/30lux/Disable



## Specification 產品規格 >>

Model 型號	Voltage 電壓	Specified Load 額定負載	Transmitting power 發射功率	Sensing range 感應範圍	Sensing distance 感應距離	Delay time 延遲時間	Operating temp 工作溫度	Size 尺寸
	(V)	(W)	(mW)	(°)	(m)		(°C)	(mm)
IL-MC090SE	185~265	400	<0.5	360	6-10	5s/30s/60s/3min/5min/10min/20min/30min	-25~55	72*36*24.5

- Product specifications, some can be customized according to customer needs
- This type of certification is issued by the laboratory for safety certification, fire testing, environmental protection materials (RoHS), photobiological safety for Exemption Group and other tests to ensure that customers are more comfortable and satisfied.

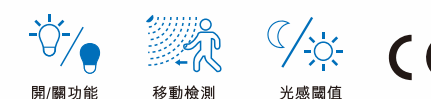
- 產品規格參數，部分可根據客戶需求定制
- 此型號認證由可實驗室發出之安全認證消防測試，環保物料 (RoHS)，光生物安全為Exemption Group及其它測試，保證客戶使用更安心滿意

# Sensor Switch

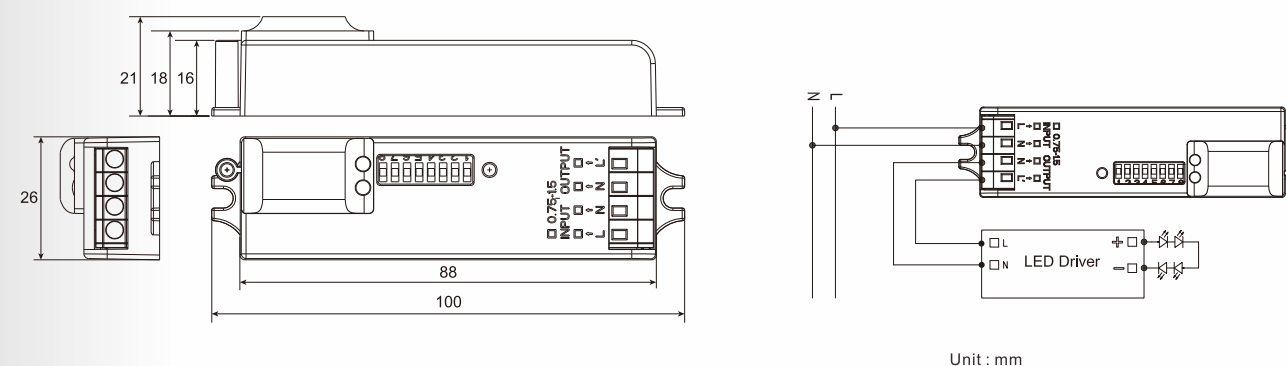
Series Type: MC095S

## Features 產品特點 >>

- The shell design is small and exquisite, can be built into the lamp.
- ISM license-free 5.8GHz microwave frequency band, active detection, stable and reliable.
- Dial code design, users can set gears according to their needs.
- Bright and dark settings: 2Lux/10Lux/25LUX/50Lux/ Disable (diffuse state)



- 外殼設計小巧，可內置於燈具內
- ISM免授權5.8GHz微波頻段，主動式探測，穩定可靠
- 撥碼設計，用戶可根據需求設置檔位
- 亮暗設置：2Lux/10Lux/25LUX/50Lux/ Disable(漫射狀態)



## Specification 產品規格 >>

Model 型號	Voltage 電壓	Specified Load 額定負載	Transmitting power 發射功率	Sensing range 感應範圍	Sensing distance 感應距離	Delay time 延遲時間	Operating temp 工作溫度	Size 尺寸
	(V)	(W)	(mW)	(°)	(m)		(°C)	(mm)
IL-MC095S	185~265	400-800	<0.5	360	2.5-7	5s/30s/1min/3min/5min/10min/20min/30min	-25~50	100*26*21

- Product specifications, some can be customized according to customer needs
- This type of certification is issued by the laboratory for safety certification, fire testing, environmental protection materials (RoHS), photobiological safety for Exemption Group and other tests to ensure that customers are more comfortable and satisfied.

- 產品規格參數，部分可根據客戶需求定制
- 此型號認證由可實驗室發出之安全認證消防測試，環保物料 (RoHS)，光生物安全為Exemption Group及其它測試，保證客戶使用更安心滿意

# Sensor Switch

Series Type: MC098S

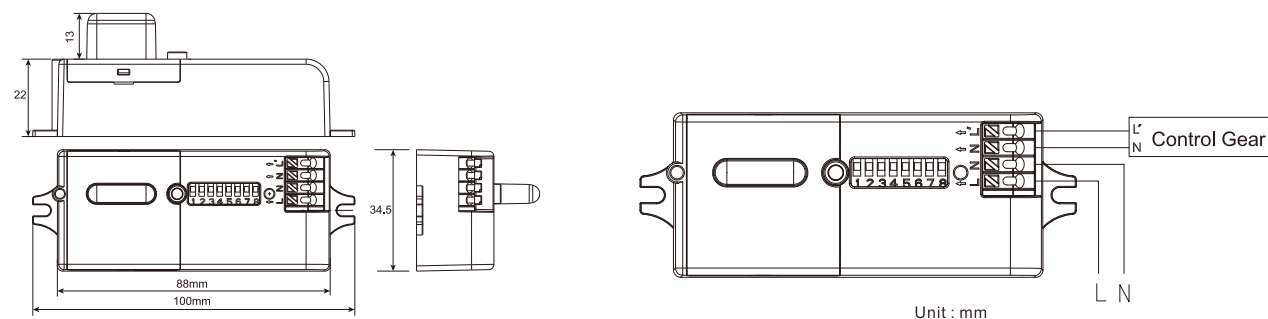


## Features 產品特點 >>

- Patented dual-coupling pole antenna design, strong environmental adaptability, no induction blind zone
- Dial code design, users can simply configure the sensing parameters according to their needs
- Long strip shell design, suitable for tri-proof lamps and ceiling lamps
- Support up to 6m installation height
- Bright and dark settings: 2Lux/10LuX/30LUX/50LuX/ Disable (diffuse state)



- 專利對偶耦合極子天線設計, 環境適應性強, 無感應盲區
- 撥碼設計, 用戶可簡單根據需求配置各感應參數
- 長條形外殼設計, 適用於三防燈, 吸頂燈
- 支持最大6m 安裝高度
- 亮暗設置: 2Lux/10LuX/30LUX/50LuX/ Disable(漫射狀態)



## Specification 產品規格 >>

Model 型號	Voltage 電壓	Specified Load 額定負載	Transmitting power 發射功率	Sensing range 感應範圍	Sensing distance 感應距離	Delay time 延遲時間	Operating temp 工作溫度	Size 尺寸
	(V)	(W)	(mW)	(°)	(m)		(°C)	(mm)
IL-MC098S	185~265	400-800	<0.5	360	4-7	5s/30s/90s/5min/20min/30min	-25~60	100*35*34.5

- Product specifications, some can be customized according to customer needs
- This type of certification is issued by the laboratory for safety certification, fire testing, environmental protection materials (RoHS), photobiological safety for Exemption Group and other tests to ensure that customers are more comfortable and satisfied.

- 產品規格參數, 部分可根據客戶需求定制
- 此型號認證由可實驗室發出之安全認證消防測試, 環保物料 (RoHS), 光生物安全為Exemption Group及其它測試, 保證客戶使用更安心滿意

# Sensor Switch

Series Type: MC093S

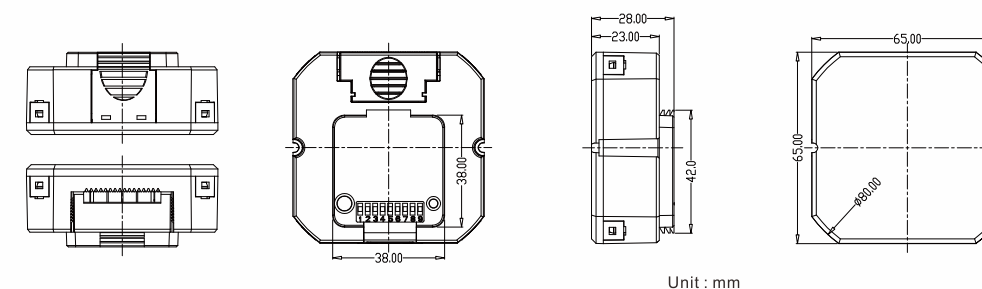


## Features 產品特點 >>

- The latest presence detection technology, precise detection of small movements
- Patented low impedance antenna design, anti-abiotic interference
- Dial code design, users can configure various induction parameters according to their needs
- Easy installation of micro-motion sensor
- Bright and dark settings: 25lux/50lux/100lux/300lux/Disable



- 最新存在探測技術, 微小動作精準檢測
- 專利低阻抗天線設計, 抗非生物干擾
- 撥碼設計, 用戶可根據需求配置各感應參數
- 簡易式安裝微動感應器
- 亮暗設置: 25lux/50lux/100lux/300lux/Disable



## Specification 產品規格 >>

Model 型號	Voltage 電壓	Specified Load 額定負載	Transmitting power 發射功率	Sensing range 感應範圍	Sensing distance 感應距離	Delay time 延遲時間	Operating temp 工作溫度	Size 尺寸
	(V)	(W)	(mW)	(°)	(m)		(°C)	(mm)
IL-MC093S	185~265	400-800	<0.5	360	3-4	5S/30S/60S/3min/5min/10min/20min/30min	-25~55	90*42*43

- Product specifications, some can be customized according to customer needs
- This type of certification is issued by the laboratory for safety certification, fire testing, environmental protection materials (RoHS), photobiological safety for Exemption Group and other tests to ensure that customers are more comfortable and satisfied.

- 產品規格參數, 部分可根據客戶需求定制
- 此型號認證由可實驗室發出之安全認證消防測試, 環保物料 (RoHS), 光生物安全為Exemption Group及其它測試, 保證客戶使用更安心滿意

# Sensor Switch

Series Type: MC085SRA

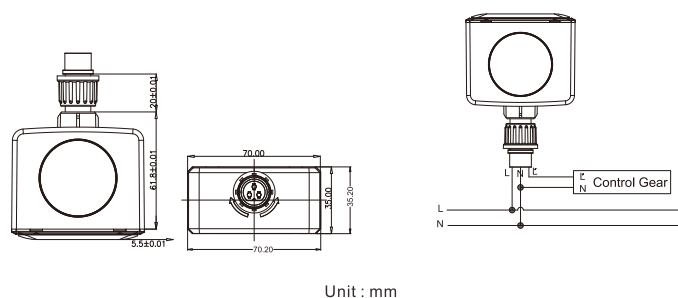


## Features 產品特點 >>

- Two types of pin or lead connectors are available, suitable for more lamps
- Set the sensing distance, sensing delay, light sensing threshold related functions by dialing
- The product is compatible with two modes of light control switch and sensor switch
- Special software processing, anti-interference of breeze and drizzle, IP65 waterproof, suitable for outdoor use
- Bright and dark settings: 2Lux/10Lux/25Lux/50Lux/100Lux/Disable



- 插針式或引線連接頭兩款可選，適合更多的燈具使用
- 通過撥碼設置感應距離，感應延時，光感閾值相關功能
- 產品兼容光控開關及感應開關兩種模式
- 特殊軟件處理，抗微風細雨干擾，IP65 防水，適應於戶外使用
- 亮暗設置：2Lux/10Lux/25Lux/50Lux/100Lux/Disable



## Specification 產品規格 >>

Model 型號	Voltage 電壓	Specified Load 額定負載	Transmitting power 發射功率	Sensing range 感應範圍	Sensing distance 感應距離	Delay time 延遲時間	Operating temp 工作溫度	Size 尺寸
	(V)	(W)	(mW)	(°)	(m)		(°C)	(mm)
IL-MC085SRA	185~265	400-800	<0.5	360	8m Max	5S/30S/90S/3min/20min/30min	-20~60	70.2*35.2*81.8

- Product specifications, some can be customized according to customer needs
- This type of certification is issued by the laboratory for safety certification, fire testing, environmental protection materials (RoHS), photobiological safety for Exemption Group and other tests to ensure that customers are more comfortable and satisfied.

- 產品規格參數，部分可根據客戶需求定制
- 此型號認證由可實驗室發出之安全認證消防測試，環保物料 (RoHS)，光生物安全為Exemption Group及其它測試，保證客戶使用更安心滿意

# Sensor Switch

Series Type: MC602S RC

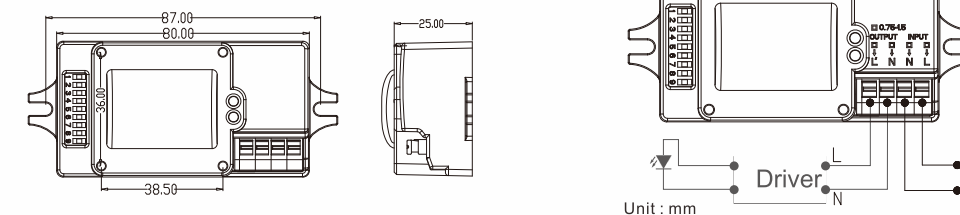


## Features 產品特點 >>

- High installation, can support 12m, with Override function
- Patented high-gain antenna, supporting high-sensitivity and low-sensitivity mode (low-sensitivity mode is suitable for metal ceilings and environments with many metal reflective surfaces)
- Compatible with dial code and remote control design, easy to set parameters
- Bright and dark settings: 5lux/15lux/30lux/50lux/100lux/Disable (diffuse state) 5lux/15lux/30lux/50lux/100lux/150lux/Disable (set by remote control)
- Delay setting: 5S/30S/90S/3min/20min/30min/5s/30s/1min/3min/5min/10min/20min/30min (set by remote control)



- 高安裝，可支持12m，有Override 功能
- 專利高增益天線，支持高感低感模式(低感模式適合金屬頂棚，金屬反射面較多的環境)
- 兼容撥碼與遙控器設計，可簡單設置參數
- 亮暗設置：5Lux/15lux/30lux/50lux/100lux/Disable (漫射狀態) 5lux/15lux/30lux/50lux/100lux/150lux/Disable(通過遙控器設置)
- 延時設置：5S/30S/90S/3min/20min/30min/5s/30s/1min/3min/5min/10min/20min/30min(通過遙控器設置)



## Specification 產品規格 >>

Model 型號	Voltage 電壓	Specified Load 額定負載	Transmitting power 發射功率	Sensing range 感應範圍	Sensing distance 感應距離	Operating temp 工作溫度	Size 尺寸
	(V)	(W)	(mW)	(°)	(m)	(°C)	(mm)
IL-MC602S RC	185-265	40-300	<0.5	360	5-7	-35~70	87*25

- Product specifications, some can be customized according to customer needs
- This type of certification is issued by the laboratory for safety certification, fire testing, environmental protection materials (RoHS), photobiological safety for Exemption Group and other tests to ensure that customers are more comfortable and satisfied.

- 產品規格參數，部分可根據客戶需求定制
- 此型號認證由可實驗室發出之安全認證消防測試，環保物料 (RoHS)，光生物安全為Exemption Group及其它測試，保證客戶使用更安心滿意

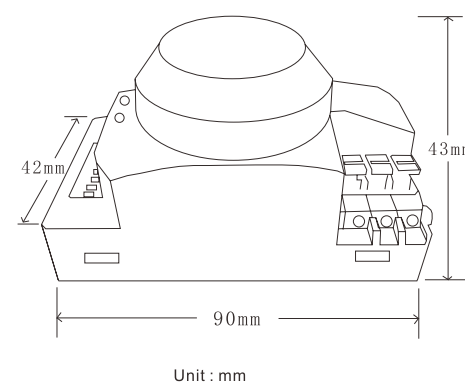
# Sensor Switch

Series Type: TR-8031

## Features 產品特點 >>

- Sensitive sensing: distinguish the movement of living and non-living bodies
- Strong anti-interference: less affected by natural factors, stable performance
- Safe and practical: using zero-crossing on-off technology, non-contact switch, no spark, low power consumption, long service life
- Fully automatic induction: automatically turn on the light after sensing a person, the light is on when the person is on, and the light is off when the person is walking, no video flickering, safe power saving
- Timing control

- 感應靈敏：準確鑒別生物體與非生物體的運動
- 抗干擾強：受外界自然因素影響小，效能穩定可靠
- 安全實用：使用過零通斷科技，無觸點開關，不產生火花，不干擾其他電器，功耗小，使用壽命長且能延長負載使用壽命
- 全自動感應：感應到人後自動開燈，人在燈亮、人走燈滅，無可視頻閃、安全節電，不受聲、物等外界因素干擾
- 可定時控制



## Specification 產品規格 >>

Model 型號	Voltage 電壓	Load Power 負載功率	Transmitting power 發射功率	Sensing range 感應範圍	Sensing distance 感應距離	Delay time 延遲時間	Ambient brightness 環境亮度	Timing Times 定時次數	Size 尺寸
	(V)	(W)	(mW)	(°)	(m)	(min)	(Lux)	(Times)	(mm)
IL-TR-8031	185-265	200 - 800	<0.2	360	1 - 9	≤10	10-1024	16	90*42*43

- Product specifications, some can be customized according to customer needs
- This type of certification is issued by the laboratory for safety certification, fire testing, environmental protection materials (RoHS), photobiological safety for Exemption Group and other tests to ensure that customers are more comfortable and satisfied.

- 產品規格參數，部分可根據客戶需求定制
- 此型號認證由可實驗室發出之安全認證消防測試，環保物料 (RoHS)，光生物安全為Exemption Group及其它測試，保證客戶使用更安心滿意

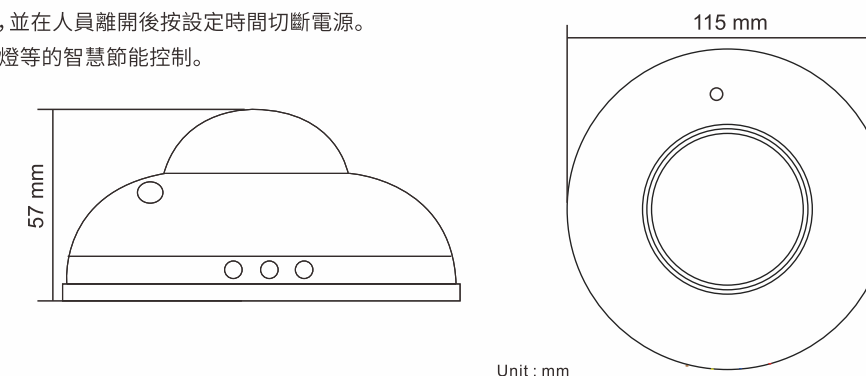
# Infrared Motion Sensor

Series Type: YCA1002B

## Features 產品特點 >>

- 360° detection of human body induction , energy saving and environmental protection , easy installation
- Sensitive induction , stable performance , intelligent light control , delay closing
- Flame retardant abs material . Installation of ceiling surface
- Sensitive induction , stable performance , intelligent light control , delay closing
- To achieve the purpose of intelligent energy-saving control suitable for ceiling lamp , ceiling down light , fluorescent lamp , incandescent lamp , etc.

- 360°人體感應檢測，節能環保，安裝方便
- 感應靈敏，性能穩定，智能化燈光控制，延遲關閉
- 阻燃ABS材質，安裝天花板表面
- 當人員進入感應範圍時，應立即接通電源，並在人員離開後按設定時間切斷電源。
- 實現適用於吸頂燈、吸頂燈、螢光燈、白熾燈等的智慧節能控制。



## Specification 產品規格 >>

Model 型號	Voltage 電壓	Sensing range 感應範圍	Sensing distance 感應距離	Time delay 延時	Operating temp 工作溫度	Power consumption 耗電量	Detection motion speed 檢測運動速度	IP Rating IP等級	Size 尺寸
	(V)	(°)	(m)		(°C)	(W)	(Lux)	(IP)	(mm)
YCA1002B	110-240	360	≤6 m(<24°C)	5sec-10min	-25~40	0.45(static0.1)	3-2000	20	D115*H57

- Product specifications, some can be customized according to customer needs
- This type of certification is issued by the laboratory for safety certification, fire testing, environmental protection materials (RoHS), photobiological safety for Exemption Group and other tests to ensure that customers are more comfortable and satisfied.

- 產品規格參數，部分可根據客戶需求定制
- 此型號認證由可實驗室發出之安全認證消防測試，環保物料 (RoHS)，光生物安全為Exemption Group及其它測試，保證客戶使用更安心滿意

# Sensor Dimmer Switch

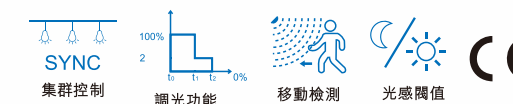
Series Type: MC049V/MC083V RC



MC049V



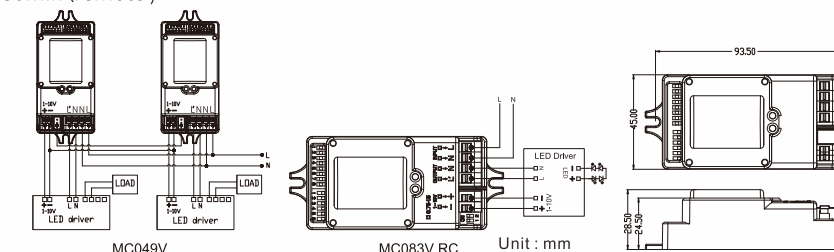
MC083V RC



## Features 產品特點 >>

- Installation height 12m max
- Parameters can be set via the DIP switch (MC049V) or remote control (MC083V Rc)
- Support high and low sense mode, suitable for use in metal ceilings, metal shelves and other warehouses with more metal reflective surfaces
- Switch 3 times (power on/off) to cancel the induction function
- MC049V light and dark settings: 2lux/5lux/10lux/25lux /50lux/100lux/Disable
- MC049V delay setting: 5s/30s/90s/3min/20min/+∞
- MC083V RC brightness setting: 5lux/15lux/50lux/100lux/150lux/Disable(remote) 5lux/15lux/30lux/50lux/100lux/150lux/Disable
- MC083V RC delay setting: 5s/30s/1min/3min/20min/30min(remote) 5s/30s/1min/3min / 5min / 10min / 20min / 30min

- 安裝高度12m max
- 參數可通過撥碼開關(MC049V) 或者遙控器(MC083V Rc) 設置
- 支持高低感模式，適合應用在金屬頂棚，金屬貨架等金屬反射面較多的倉庫開關3次(通電/斷電)取消感應功能
- MC049V亮暗設置: 2lux/5lux/10lux/25lux /50lux/100lux/Disable
- MC049V延時設置: 5s/30s/90s/3min/20min/+∞
- MC083V RC亮暗設置: 5lux/15lux/50lux/100lux/150lux/Disable(remote) 5lux/15lux/30lux/50lux/100lux/150lux/Disable
- MC083V RC延時設置: 5s/30s/1min/3min/20min/30min (remote) 5s/30s/1min/ 3min/5min/10min/20min/30min



## Specification 產品規格 >>

Model 型號	Voltage 電壓 (V)	Specified Load 額定負載 (W)	Transmitting power 發射功率 (mW)	Sensing range 感應範圍 (°)	Sensing distance 感應距離 (m)	Operating temp 工作溫度 (°C)	Size 尺寸 (mm)
IL-MC049V	185~265	800-1200	<0.5	360	4	-35~60	93.5*45*28.5
IL-MC083V RC	185~265	200-800	<0.5	360	6	-35~60	93.5*45*28.5

- Product specifications, some can be customized according to customer needs
- This type of certification is issued by the laboratory for safety certification, fire testing, environmental protection materials (RoHS), photobiological safety for Exemption Group and other tests to ensure that customers are more comfortable and satisfied.

- 產品規格參數，部分可根據客戶需求定制
- 此型號認證由可實驗室發出之安全認證消防測試，環保物料 (RoHS)，光生物安全為Exemption Group及其它測試，保證客戶使用更安心滿意

# Sensor Dimmer Switch

感應調光開關

# Sensor Dimmer Switch

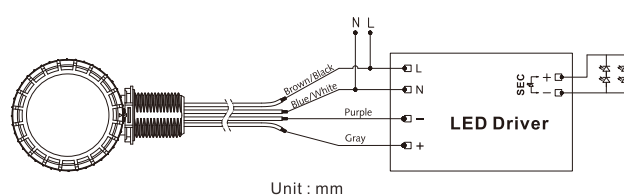
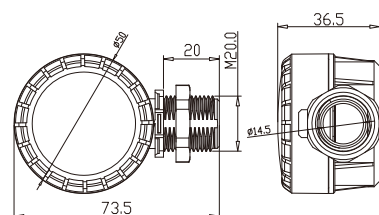
Series Type: MC628V RC

## Features 產品特點 >>

- Patented microwave antenna design, supports maximum installation height of 12m
- Patented high-gain antenna, supporting high and low-sensitivity modes
- 0-10V dimming port, with 0-10V drive to achieve two-stage/three-stage dimming function, support Dim+/Dim- function; light control priority function
- M20 side mounting design, suitable for Linear highbay, tri-proof light
- Bright and dark settings: 5lux/15lux/30lux/50lux/100lux/Disable (diffuse state)
- 5lux/15lux/30lux/50lux/100lux/150lux/Disable (set by remote control)
- Delay setting: 5S/30S/90S/3min/20min/30min/5s/30s/1min/3min/5min/10min/20min/30min (set by remote control)



- 專利微波天線設計, 支持最大安裝高度12m
- 專利高增益天線, 支持高感和低感模式(適用金屬頂棚, 金屬反射面安裝環境)
- 0-10V 調光端口, 配合0-10V 驅動實現兩段/三段調光功能, 支持Dim+/Dim-功能; 光控優先功能
- M20 側掛安裝設計, 適合Linear highbay, 三防燈
- 亮暗設置: 5lux/15lux/30lux/50lux/100lux/Disable (漫射狀態)
- 5lux/15lux/30lux/50lux/100lux/150lux/Disable(通過遙控器設置)
- 延時設置: 5S/30S/90S/3min/20min/30min/5s/30s/1min/3min/5min/10min/20min/30min(通過遙控器設置)



## Specification 產品規格 >>

Model 型號	Voltage 電壓	Transmitting power 發射功率	Sensing range 感應範圍	Sensing distance 感應距離	Operating temp 工作溫度	IP Rating IP等級	Size 尺寸
	(V)	(mW)	(°)	(m)	(°C)	(IP)	(mm)
IL-MC628V RC	185~265	<0.5	360	6m Max	-35~55	65	73.5*50*36.5

- Product specifications, some can be customized according to customer needs
- This type of certification is issued by the laboratory for safety certification, fire testing, environmental protection materials (RoHS), photobiological safety for Exemption Group and other tests to ensure that customers are more comfortable and satisfied.

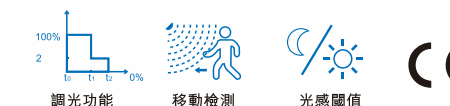
- 產品規格參數, 部分可根據客戶需求定制
- 此型號認證由可實驗室發出之安全認證消防測試, 環保物料 (RoHS), 光生物安全為Exemption Group及其它測試, 保證客戶使用更安心滿意

# Sensor Dimmer Switch

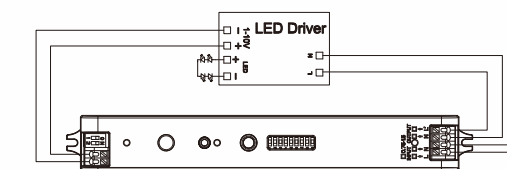
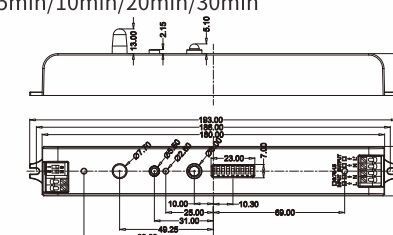
Series Type: MC077V RC

## Features 產品特點 >>

- Integrate microwave induction, light induction, automatic switch, dimming, intelligence, energy saving
- Adopt column antenna, opening size  $\phi 8$ , suitable for more lamps
- With 1-10V dimming power supply, it can realize two-stage and three-stage dimming
- Sensing parameters can be adjusted by DIP dialing and remote control
- Support two flexible installation methods at the top and bottom
- Bright and dark settings: 5lux/25lux/50lux/100lux/Disable
- remote control: 5lux/15lux/30lux/50lux/100lux/150lux/disable
- Delay setting: 5s/5min/10min/30min
- remote control: 5s/30s/1min/3min/5min/10min/20min/30min



- 集微波感應, 光感應一體, 自動開關, 調光, 智能, 節能
- 採用柱狀天線, 開孔尺寸 $\phi 8$ , 適用於更多燈具
- 配1-10V 調光電源可實現二段及三段調光
- 感應參數可通過DIP 撥碼及遙控進行調節
- 支持頂部, 底部兩種靈活的安裝方式
- 亮暗設置: 5lux/25lux/50lux/100lux/Disable
- remote control: 5lux/15lux/30lux/50lux/100lux/150lux/disable
- 延時設置: 5s/5min/10min/30min
- remote control: 5s/30s/1min/3min/5min/10min/20min/30min



## Specification 產品規格 >>

Model 型號	Voltage 電壓	Specified Load 額定負載	Transmitting power 發射功率	Sensing range 感應範圍	Sensing distance 感應距離	Operating temp 工作溫度	Size 尺寸
	(V)	(W)	(mW)	(°)	(m)	(°C)	(mm)
IL-MC077V RC	185-265	200/400/800	<0.5	360	6-8	-25~60	193*26*22

- Product specifications, some can be customized according to customer needs
- This type of certification is issued by the laboratory for safety certification, fire testing, environmental protection materials (RoHS), photobiological safety for Exemption Group and other tests to ensure that customers are more comfortable and satisfied.

- 產品規格參數, 部分可根據客戶需求定制
- 此型號認證由可實驗室發出之安全認證消防測試, 環保物料 (RoHS), 光生物安全為Exemption Group及其它測試, 保證客戶使用更安心滿意

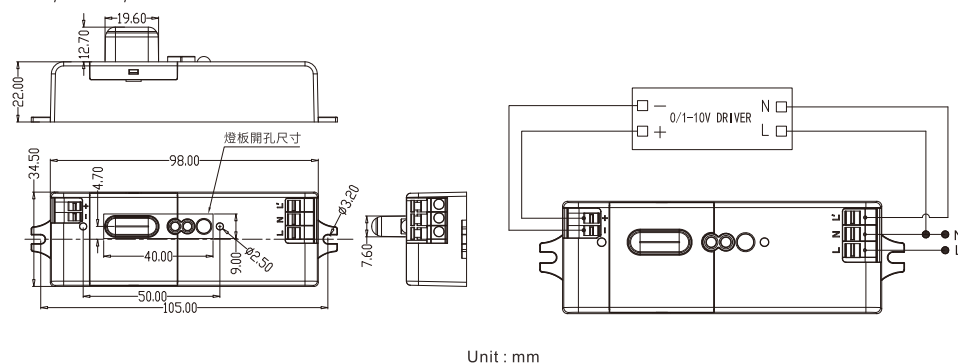


# Sensor Dimmer Switch

Series Type: MC087V RC

## Features 產品特點 >>

- The patented dipole antenna effectively solves the blind area problem of the traditional cylindrical antenna and has good anti-interference.
- The opening size is 8x20mm, which is suitable for most strip lights.
- All parameters can be set via the remote control Mh10.
- Bright and dark settings: Light control priority: ON/OFF Value, (5/15/30/50Lux) / 150Lux, 100Lux / 200Lux, 150Lux / 300Lux
- Delay setting: 5S/30S/1min/3min/5min/10min/20min/30min
- 專利偶極子天線，有效解決了傳統柱狀天線的盲區問題，抗干擾型好
- 開孔尺寸8x20mm，適合絕大多數條形燈
- 所有參數都可以通過遙控器MH10 設置
- 亮暗設置：光控優先：ON/OFF Value, (5/15/30/50Lux) / 150Lux, 100Lux / 200Lux, 150Lux / 300Lux
- 延時設置：5S/30S/1min/3min/5min/10min/20min/30min



## Specification 產品規格 >>

Model 型號	Voltage 電壓 (V)	Transmitting power 發射功率 (mW)	Sensing range 感應範圍 (°)	Sensing distance 感應距離 (m)	Operating temp 工作溫度 (°C)	IP Rating IP等級 (IP)	Size 尺寸 (mm)
IL-MC087V RC	185~265	<0.5	360	>4	-25~60	20	105*34.5*22

- Product specifications, some can be customized according to customer needs
- This type of certification is issued by the laboratory for safety certification, fire testing, environmental protection materials (RoHS), photobiological safety for Exemption Group and other tests to ensure that customers are more comfortable and satisfied.
- 產品規格參數，部分可根據客戶需求定制
- 此型號認證由可實驗室發出之安全認證消防測試，環保物料 (RoHS)，光生物安全為Exemption Group及其它測試，保證客戶使用更安心滿意

# Sensor Dimmer Switch

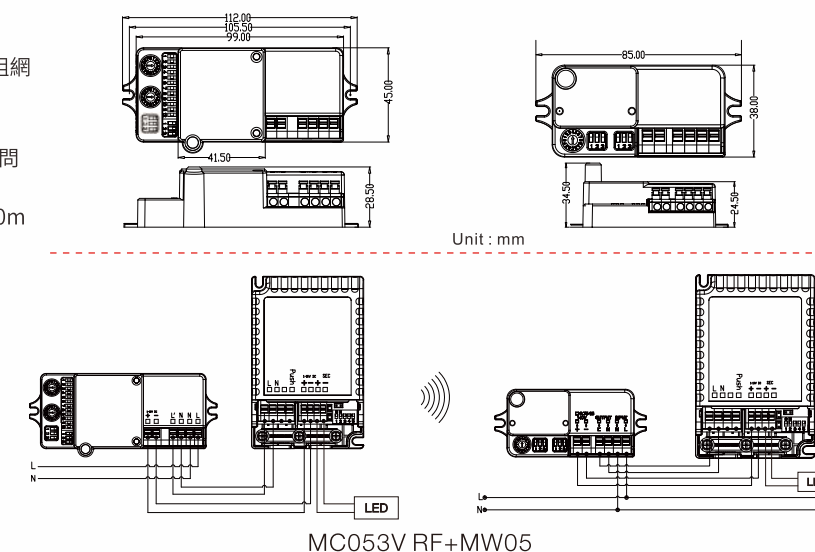
Series Type: MC053V RF+MW05

## Features 產品特點 >>

- Using 868MHz radio frequency technology combined with microwave induction, with group networking and group networking functions
- Use narrowband technology and frequency hopping technology to solve the problem of co-frequency interference transmission
- 32 different frequency channels are used for grouping to meet the user's various application problems
- Using fixed address code, RF transmission is stable, Rf indoor transmission up to 50m
- MC053V RF brightness setting: 5S/30S/90S/3min/20min/30min/+∞
- MC053V RF delay setting: 5lux/15Lux/30Lux/50Lux/100lux/150lux/Disable
- MW05 light and dark settings: 5s/10min/30min/
- MW05 delay setting: N/A



- 採用868MHz射頻技術與微波感應相結合，具有群組組網及分組組網功能
- 採用窄頻技術和跳頻技術解決同頻干擾傳輸問題
- 32個不同頻率信道用來分組，滿足用戶多種應用場所問題
- 採用固定地址碼，RF傳輸穩定，Rf室內傳輸最大可達50m
- MC053V RF亮暗設置：5S/30S/90S/3min/20min/30min/+∞
- MC053V RF延時設置：5lux/15Lux/30Lux/50Lux/100lux/150lux/Disable
- MW05亮暗設置：5s/10min/30min/
- MW05延時設置：N/A



## Specification 產品規格 >>

Model 型號	Voltage 電壓 (V)	Specified Load 額定負載 (W)	Transmitting power 發射功率 (mW)	Sensing range 感應範圍 (°)	Sensing distance 感應距離 (m)	Operating temp 工作溫度 (°C)	Size 尺寸 (mm)
IL-MC053V RF	185-265	400/800	<0.5	360	6	-20~60	112*45*28.5
IL-MW05	185-265	400/800	N/A	N/A	N/A	-20~60	85*38*34.5

- Product specifications, some can be customized according to customer needs
- This type of certification is issued by the laboratory for safety certification, fire testing, environmental protection materials (RoHS), photobiological safety for Exemption Group and other tests to ensure that customers are more comfortable and satisfied.
- 產品規格參數，部分可根據客戶需求定制
- 此型號認證由可實驗室發出之安全認證消防測試，環保物料 (RoHS)，光生物安全為Exemption Group及其它測試，保證客戶使用更安心滿意

# Microwave Sensor LED T8 Tube

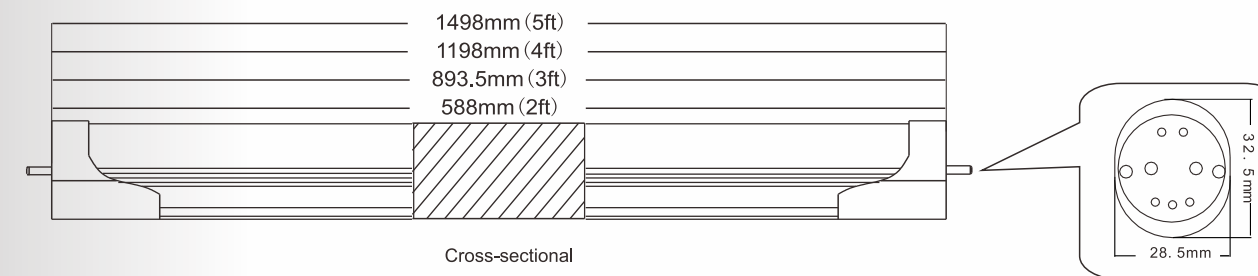
Series Type: M

## Features 產品特點 >>

- Microwave controlled internal sensor detection distance of 6-8M
- Full lumen in activation mode 30% lumen in standby mode
- Direct replacement of FL tubes in electro-magnetic ballast fitting
- SPM Design – power circuit protection to cut off individual LEDs when mal-functioned
- Exit time 15-60seconds
- Emergency option available: compatible in use with most emergency battery brands & comply with part A11of FSD regulation PPA104



- 微波控制內部感測器,感測器檢測距離6-8米
- 啟動模式下為全流明,待機模式下為30%流明
- 可直接更換電磁鎮流器配件中的FL管
- SPM設計-電源電路保護,當個別led故障時切斷單個LED電路
- 退出時間15-60秒
- 提供應急選項:與大多數應急電池品牌相容,並符合FSD法規PPA104第A11部分



## Specification 產品規格 >>

Model 型號	Voltage 電壓 (V)	Wattage 功率 (W)	Length 長度 (mm)	Lamp Life 光度壽命 (Hrs)	Colour Temp 色溫 (K)	Lumen Output 輸出流明 (Lm/W)	Color Rendering 顯色度 (CRI)	Lamp Base 燈腳	PCS/CTN 每箱數量 (pcs)
LT-I0609-M128A	100~240	9	600	50000	3000/4000/6500	120	>80	T8,G13	25
LT-I0912-M128A	100~240	12	900	50000	3000/4000/6500	120	>80	T8,G13	25
LT-I1218-M128A	100~240	18	1200	50000	3000/4000/6500	120	>80	T8,G13	25
LT-I1522-M128A	100~240	22	1500	50000	3000/4000/6500	120	>80	T8,G13	25

- Light efficiency (lm/W),Power (W),Color Rendering Index (CRI), Can be customized according to customer needs
- Our Standard Power factor (PF) > 0.9 and Total harmonic index THD < 15%, According to customer requirements can produce a lower THD < 10%
- This type of certification is issued by a government-approved laboratory for Safety certification, Fire testing, Restriction of Hazardous Substances(RoHS), Photobiological safety of lamps and lamp systems.( an Exemption Group) and other test certifications to ensure product quality
- 光效 (lm/W)、功率 (W)、顯色指數 (CRI), 可根據客戶需求定制
- 此型號標準之功率因素 (PF) > 0.9, 總諧波指數 THD < 15%, 可按客戶需要生產低總諧波指數 < 10%
- 此型號認證由可實驗室發出之安全認證消防測試, 環保物料 (RoHS), 光生物安全為 Exemption Group 及其它測試, 保證客戶使用更安心滿意

# Sensor LED Tube Series

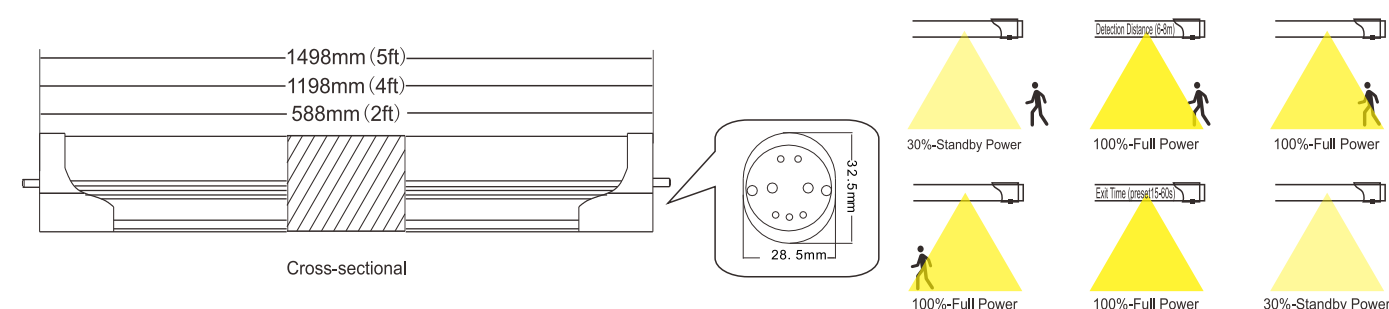
感應LED燈管系列

# Infrared Sensor LED T8 Tube

Series Type: IR

## Features 產品特點 >>

- Uniform light emission
- High luminous output & low power consumption
- SPM design – Power circuit protection to cut off individual LEDs when mal-functioned
- Exit Time 15-60 seconds
- Detection distance(6-8m)
- 發光均勻
- 高流明輸出的同時低功耗
- SPM設計即電源電路保護, 在故障時可立即切斷單個LED電路
- 退出時間15-60秒
- 探測距離(6-8米)



## Specification 產品規格 >>

Model 型號	Voltage 電壓 (V)	Wattage 功率 (W)	Length 長度 (mm)	Lamp Life 光度壽命 (Hrs)	Colour Temp 色溫 (K)	Lumen Output 輸出流明 (Lm/W)	Color Rendering 顯色度 (CRI)	PCS/CTN 每箱數量 (pcs)
LT-I0609-IR128A	100~240	9	600	50000	6000	120	>80	25
LT-I1218-IR128A	100~240	18	1200	50000	6000	120	>80	25
LT-I1522-IR128A	100~240	22	1500	50000	6000	120	>80	25

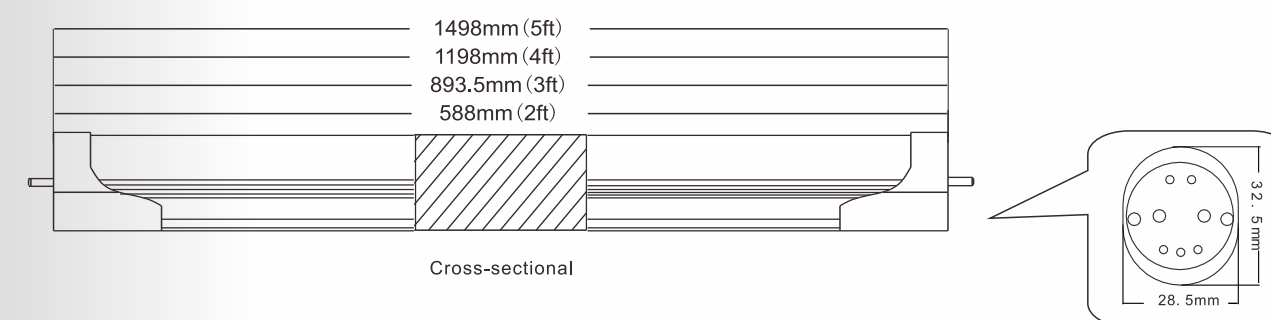
- Light efficiency (lm/W), Power (W), Color Rendering Index (CRI), Can be customized according to customer needs
- Our Standard Power factor (PF) > 0.9 and Total harmonic index THD < 15%, According to customer requirements can produce a lower THD < 10%
- This type of certification is issued by a government-approved laboratory for Safety certification, Fire testing, Restriction of Hazardous Substances (RoHS), Photobiological safety of lamps and lamp systems. (an Exemption Group) and other test certifications to ensure product quality
- 光效 (lm/W)、功率 (W)、顯色指數 (CRI), 可根據客戶需求定制
- 此型號標準之功率因素 (PF) > 0.9, 總諧波指數 THD < 15%, 可按客戶需要生產低總諧波指數 < 10%
- 此型號認證由可實驗室發出之安全認證消防測試, 環保物料 (RoHS), 光生物安全為 Exemption Group 及其它測試, 保證客戶使用更安心滿意

# Sound Control LED T8 Tube

Series Type: V

## Features 產品特點 >>

- Uniform light emission
- SPM design – Power circuit protection to cut off individual LEDs when mal-functioned
- Exit Time 15-60 seconds
- Sound sensitivity 35 - 60B(decibel)
- 發光均勻
- SPM設計即電源電路保護, 在故障時可立即切斷單個LED電路
- 退出時間15-60秒
- 聲音靈敏度35-60B(分貝)



## Specification 產品規格 >>

Model 型號	Voltage 電壓 (V)	Wattage 功率 (W)	Length 長度 (mm)	Lamp Life 光度壽命 (Hrs)	Colour Temp 色溫 (K)	Lumen Output 輸出流明 (Lm/W)	Lamp Base 顯色度 (CRI)	
LT-I0609-V128A	100~240	9	600	50000	3000/4000/6500	120	>80	25
LT-I0912-V128A	100~240	12	900	50000	3000/4000/6500	120	>80	25
LT-I1218-V128A	100~240	18	1200	50000	3000/4000/6500	120	>80	25
LT-I1522-V128A	100~240	22	1500	50000	3000/4000/6500	120	>80	25

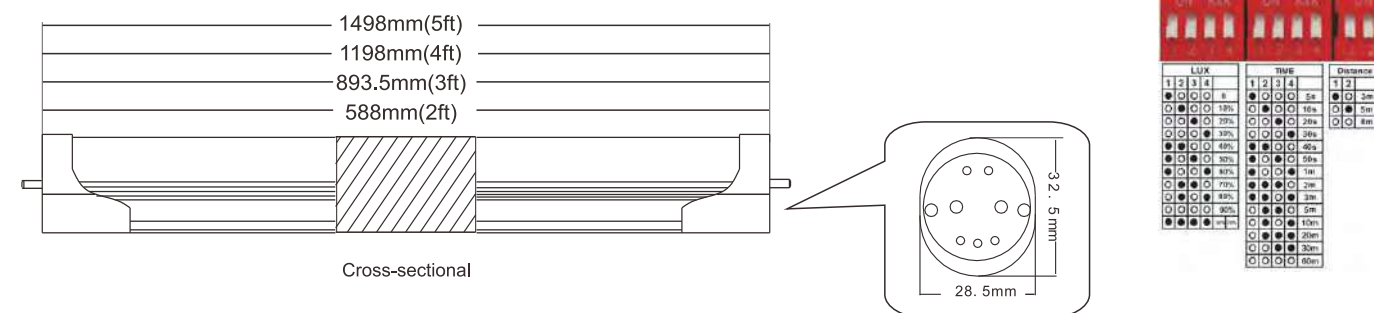
- Light efficiency (lm/W), Power (W), Color Rendering Index (CRI), Can be customized according to customer needs
- Our Standard Power factor (PF) > 0.9 and Total harmonic index THD < 15%, According to customer requirements can produce a lower THD < 10%
- This type of certification is issued by a government-approved laboratory for Safety certification, Fire testing, Restriction of Hazardous Substances (RoHS), Photobiological safety of lamps and lamp systems. (an Exemption Group) and other test certifications to ensure product quality
- 光效 (lm/W)、功率 (W)、顯色指數 (CRI), 可根據客戶需求定制
- 此型號標準之功率因素 (PF) > 0.9, 總諧波指數 THD < 15%, 可按客戶需要生產低總諧波指數 < 10%
- 此型號認證由可實驗室發出之安全認證消防測試, 環保物料 (RoHS), 光生物安全為 Exemption Group 及其它測試, 保證客戶使用更安心滿意

# Programmable Microwave Sensor LED T8 Tube

Series Type: PM

## Features 產品特點 >>

- Microwave controlled internal sensor
- Sensor detection distance of 3-8 meter (user selectable)
- 0%-90% lumen in standby mode (user selectable)
- 5s-60mins Delay/exit time in standby mode
- SPM Design – power circuit protection to cut off individual LEDs when mal-functioned
- Compatible in use with most emergency battery brands
- 微波控制內部感測器 感測器探測距離3-8米(用戶可選擇)
- 0%-90%流明(用戶可選擇)
- 待機狀態下延時/退出時間5秒-60分鐘
- SPM設計-電源電路保護,在故障時切斷單個LED
- 與大多數應急電池品牌相容



## Specification 產品規格 >>

Model 型號	Voltage 電壓 (V)	Wattage 功率 (W)	Length 長度 (mm)	Lamp Life 光度壽命 (Hrs)	Colour Temp 色溫 (K)	Lumen Output 輸出流明 (Lm/W)	Color Rendering 顯色度 (CRI)	Lamp Base 燈腳	PCS/CTN 每箱數量 (pcs)
LT-I0609-PM128A	100~240	9	600	50000	3000/4000/6500	120	>80	T8,G13	25
LT-I0912-PM128A	100~240	12	900	50000	3000/4000/6500	120	>80	T8,G13	25
LT-I1218-PM128A	100~240	18	1200	50000	3000/4000/6500	120	>80	T8,G13	25
LT-I1522-PM128A	100~240	22	1500	50000	3000/4000/6500	120	>80	T8,G13	25

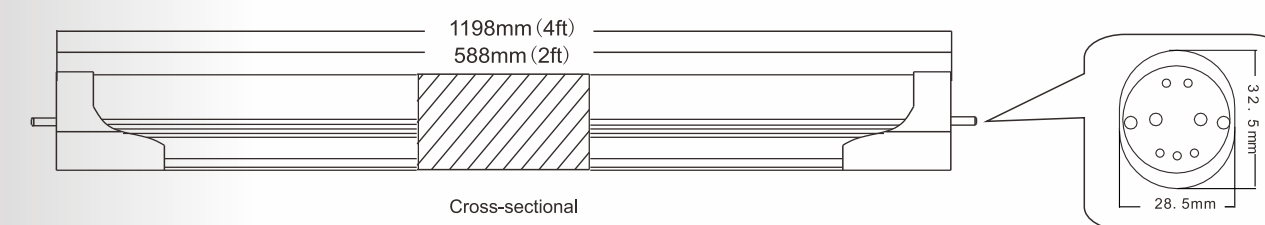
- Light efficiency (lm/W), Power (W), Color Rendering Index (CRI), Can be customized according to customer needs
- Our Standard Power factor (PF) > 0.9 and Total harmonic index THD < 15%, According to customer requirements can produce a lower THD < 10%
- This type of certification is issued by a government-approved laboratory for Safety certification, Fire testing, Restriction of Hazardous Substances (RoHS), Photobiological safety of lamps and lamp systems. (an Exemption Group) and other test certifications to ensure product quality
- 光效 (lm/W)、功率 (W)、顯色指數 (CRI), 可根據客戶需求定制
- 此型號標準之功率因素 (PF) > 0.9, 總諧波指數 THD < 15%, 可按客戶需要生產低總諧波指數 < 10%
- 此型號認證由可實驗室發出之安全認證消防測試, 環保物料 (RoHS), 光生物安全為 Exemption Group 及其它測試, 保證客戶使用更安心滿意

# Photosensor LED T8 Tube

Series Type: PS

## Features 產品特點 >>

- Uniform light emission
- Retrofit to existing T8 lights on EM
- SPM Design – power circuit protection to cut off individual LEDs when mal-functioned
- Function: the light control probe senses the brightness of the surrounding environment in real time. According to the intensity of the brightness of the environment, it is divided into two sections of light output. When the light is strong, it is output at 30% power (can be designed) and when the light is weak, it is output at 100% power.
- 發光均勻
- 對現有的T8燈進行改造
- SPM設計即電源電路保護,在故障時可立即切斷單個LED電路
- 功能: 光控探頭實時感應周圍環境亮度,根據環境亮度的強弱分2段光輸出,光線較強時以30%功率(可指定設計)輸出,光線較弱時100%功率輸出。



## Specification 產品規格 >>

Model 型號	Voltage 電壓 (V)	Wattage 功率 (W)	Length 長度 (mm)	Lamp Life 光度壽命 (Hrs)	Colour Temp 色溫 (K)	Lumen Output 輸出流明 (Lm/W)	Color Rendering 顯色度 (CRI)	Lamp Base 燈腳	PCS/CTN 每箱數量 (pcs)
LT-I0609-PS128A	100~240	9	600	50000	3000/4000/6500	120	>80	T8,G13	25
LT-I1218-PS128A	100~240	18	1200	50000	3000/4000/6500	120	>80	T8,G13	25

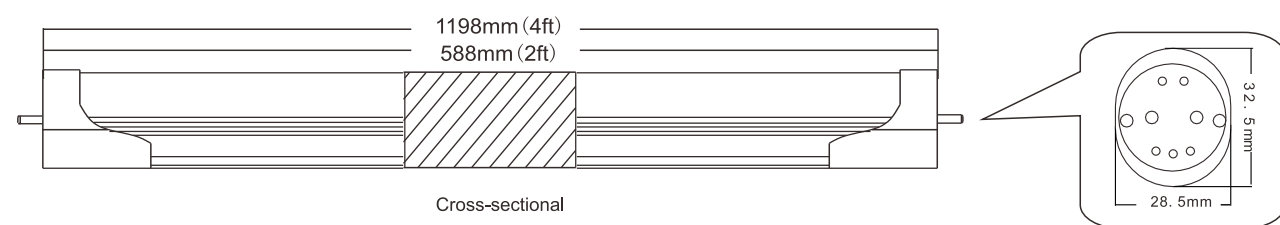
- Light efficiency (lm/W), Power (W), Color Rendering Index (CRI), Can be customized according to customer needs
- Our Standard Power factor (PF) > 0.9 and Total harmonic index THD < 15%, According to customer requirements can produce a lower THD < 10%
- This type of certification is issued by a government-approved laboratory for Safety certification, Fire testing, Restriction of Hazardous Substances (RoHS), Photobiological safety of lamps and lamp systems. (an Exemption Group) and other test certifications to ensure product quality
- 光效 (lm/W)、功率 (W)、顯色指數 (CRI), 可根據客戶需求定制
- 此型號標準之功率因素 (PF) > 0.9, 總諧波指數 THD < 15%, 可按客戶需要生產低總諧波指數 < 10%
- 此型號認證由可實驗室發出之安全認證消防測試, 環保物料 (RoHS), 光生物安全為 Exemption Group 及其它測試, 保證客戶使用更安心滿意

# Photosensor & Timer ON/OFF T8 Tube

Series Type:PS-T

## Features 產品特點 >>

- Uniform light emission
- Retrofit to existing T8 lights on EM
- SPM design-Power circuit protection to cut off individual LEDs when mal-functioned
- Function: the light control probe senses the brightness of the surrounding environment in real time. According to the intensity of the brightness of the environment, it is divided into two sections of light output. When the light is strong, it is output at 30% power (can be designed) and when the light is weak, it is output at 100% power.
- 發光均勻
- 對現有的T8燈進行改造
- SPM設計即電源電路保護,在故障時可立即切斷單個LED电路
- 功能:光控探头实时感应周围环境亮度,根据环境亮度的强弱分2段光输出,光线较强时以30%功率(可指定设计)输出,光线较弱时100%功率输出。



## Specification 產品規格 >>

Model 型號	Voltage 電壓 (V)	Wattage 功率 (W)	Length 長度 (mm)	Lamp Life 光度壽命 (Hrs)	Colour Temp 色溫 (K)	Lumen Output 輸出流明 (Lm/W)	Color Rendering 顯色度 (CRI)	Lamp Base 燈腳	PCS/CTN 每箱數量 (Pcs)
LT-I0609-PS-T128A	100~240	9	600	50000	3000/4000/6500	120	>80	T8,G13	25
LT-I1218-PS-T128A	100~240	18	1200	50000	3000/4000/6500	120	>80	T8,G13	25

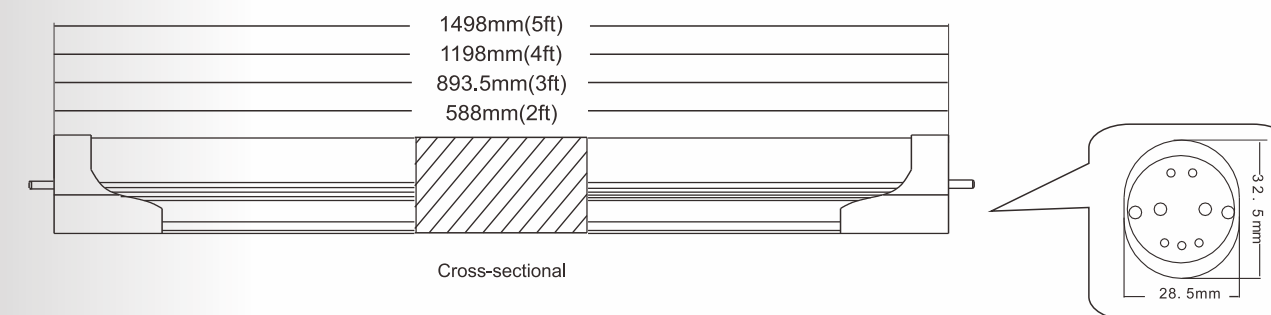
- Light efficiency (lm/W),Power (W),Color Rendering Index (CRI), Can be customized according to customer needs
- Our Standard Power factor (PF) > 0.9 and Total harmonic index THD < 15%, According to customer requirements can produce a lower THD< 10%
- This type of certification is issued by a government-approved laboratory for Safety certification, Fire testing, Restriction of Hazardous Substances(RoHS), Photobiological safety of lamps and lamp systems.( an Exemption Group) and other test certifications to ensure product quality
- 光效(lm/W)、功率(W)、顯色指數(CRI),可根據客戶需求定制
- 此型號標準之功率因素(PF)>0.9,總諧波指數THD<15%,可按客戶需要生產低總諧波指數<10%
- 此型號認證由可實驗室發出之安全認證消防測試,環保物料(RoHS),光生物安全為Exemption Group及其它測試,保證客戶使用更安心滿意

# Anti Microwave Sensor LED T8 Tube

Series Type: M-AI

## Features 產品特點 >>

- Anti-interference design -2 pcs microwave sensor tubes put into double tube batten, In close area not interfere each other
- Sensor detection distance of 6-8 meter,Full lumen in activation mode,30% lumen in standby mode
- No interference from heat source and light source, high stability, long sensing distance
- It has high sensitivity and no blind area. When there is an object moving, it will be sensed
- Easy to install, strong hiding ability, can penetrate acrylic and other panels
- 抗干擾設計,可以在雙支架下,近距離放二支微波燈管,而不相互干擾
- 感測器探測距離6-8米,啟動模式下全流明,待機模式下30%流明
- 不受熱源和光源干擾,穩定性高,感應距離遠
- 感應靈敏度高,無盲區,有物體移動就會感應
- 便於安裝,隱蔽性強,可穿透亚克力等面板



## Specification 產品規格 >>

Model 型號	Voltage 電壓 (V)	Wattage 功率 (W)	Length 長度 (mm)	Lamp Life 光度壽命 (Hrs)	Colour Temp 色溫 (K)	Lumen Output 輸出流明 (Lm/W)	Color Rendering 顯色度 (CRI)	Lamp Base 燈腳	PCS/CTN 每箱數量 (Pcs)
LT-I0609-M128A-AI	100~240	9	600	50000	3000/4000/6500	120	>80	T8,G13	25
LT-I0912-M128A-AI	100~240	12	900	50000	3000/4000/6500	120	>80	T8,G13	25
LT-I1218-M128A-AI	100~240	18	1200	50000	3000/4000/6500	120	>80	T8,G13	25
LT-I1522-M128A-AI	100~240	22	1500	50000	3000/4000/6500	120	>80	T8,G13	25

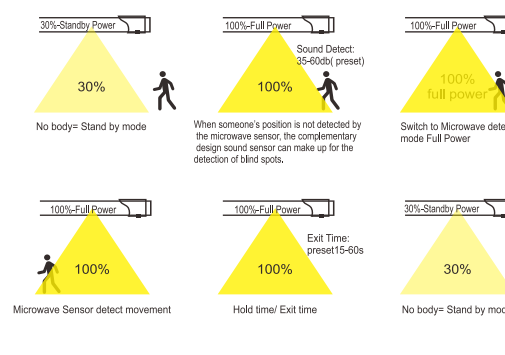
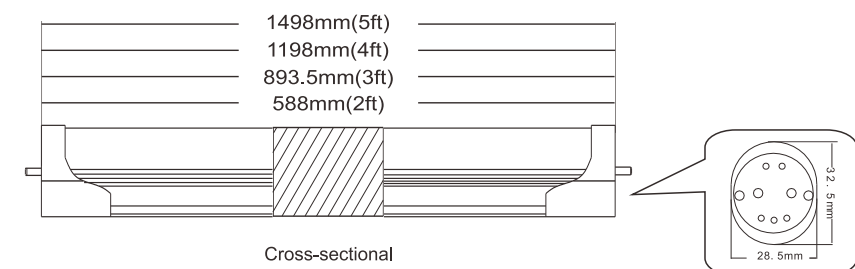
- Light efficiency (lm/W),Power (W),Color Rendering Index (CRI), Can be customized according to customer needs
- Our Standard Power factor (PF) > 0.9 and Total harmonic index THD < 15%, According to customer requirements can produce a lower THD< 10%
- This type of certification is issued by a government-approved laboratory for Safety certification, Fire testing, Restriction of Hazardous Substances(RoHS), Photobiological safety of lamps and lamp systems.( an Exemption Group) and other test certifications to ensure product quality
- 光效(lm/W)、功率(W)、顯色指數(CRI),可根據客戶需求定制
- 此型號標準之功率因素(PF)>0.9,總諧波指數THD<15%,可按客戶需要生產低總諧波指數<10%
- 此型號認證由可實驗室發出之安全認證消防測試,環保物料(RoHS),光生物安全為Exemption Group及其它測試,保證客戶使用更安心滿意

# Microwave Sensor+Sound Control LED T8 Tube

Series Type: MV

## Features 產品特點 >>

- Uniform light emission
- SPM design – Power circuit protection to cut off individual LEDs when malfunctioned
- Exit Time 15-60 seconds, Sound sensitivity 35-60B (decibel)
- Microwave controlled internal sensor, sensor detection distance of 6-8M
- Full lumen in activation mode, 30% lumen in standby mode
- Direct replacement of FL tubes in electro-magnetic ballast fitting
- Emergency option available: compatible in use with most emergency battery brands & comply with part A of FSD regulation PPA104
- 均勻發光
- SPM設計即電源電路保護, 在故障時可立即切斷單個LED電路
- 退出時間15-60秒, 聲音靈敏度35-60B (分貝)
- 微波控制內部感測器, 感測器探測距離6-8米, 啟動模式下全流明, 待機模式下30%流明
- 直接更換螢光燈管電磁鎮流器配件
- 提供應急選項: 與大多數應急電池品牌相容, 並符合FSD法規PPA104第A11部分



## Specification 產品規格 >>

Model 型號	Voltage 電壓 (V)	Wattage 功率 (W)	Length 長度 (mm)	Lamp Life 光度壽命 (Hrs)	Colour Temp 色溫 (K)	Lumen Output 輸出流明 (Lm/W)	Color Rendering 顯色度 (CRI)	Lamp Base 燈腳	PCS/CTN 每箱數量
LT-I0609-MV128A	100~240	9	600	50000	3000/4000/6500	120	>80	T8,G13	25
LT-I0912-MV128A	100~240	12	900	50000	3000/4000/6500	120	>80	T8,G13	25
LT-I1218-MV128A	100~240	18	1200	50000	3000/4000/6500	120	>80	T8,G13	25
LT-I1522-MV128A	100~240	22	1500	50000	3000/4000/6500	120	>80	T8,G13	25

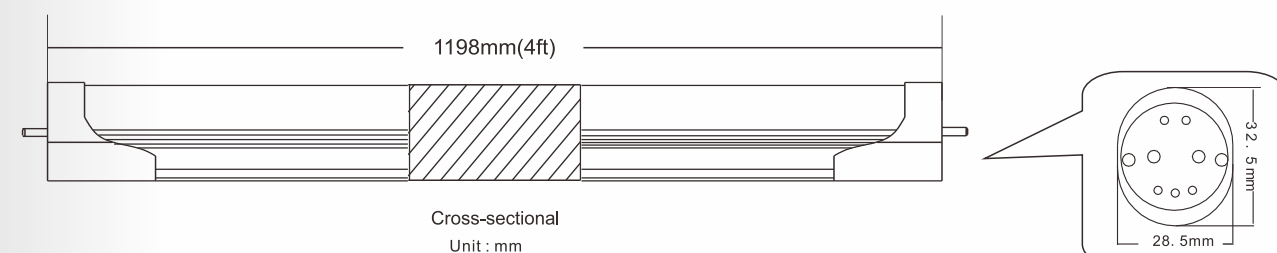
- Light efficiency (lm/W), Power (W), Color Rendering Index (CRI), Can be customized according to customer needs
- Our Standard Power factor (PF) > 0.9 and Total harmonic index THD < 15%, According to customer requirements can produce a lower THD < 10%
- This type of certification is issued by a government-approved laboratory for Safety certification, Fire testing, Restriction of Hazardous Substances (RoHS), Photobiological safety of lamps and lamp systems. (an Exemption Group) and other test certifications to ensure product quality
- 光效 (lm/W)、功率 (W)、顯色指數 (CRI), 可根據客戶需求定制
- 此型號標準之功率因素 (PF) > 0.9, 總諧波指數 THD < 15%, 可按客戶需要生產低總諧波指數 < 10%
- 此型號認證由可實驗室發出之安全認證消防測試, 環保物料 (RoHS), 光生物安全為 Exemption Group 及其它測試, 保證客戶使用更安心滿意

# Radar Sensor LED Fluorescent Lamp

Series Type: ML

## Features 產品特點 >>

- Car lights are on, intelligent delay, long-distance sensing
- Objects that sense activity, are not affected by temperature and can pass through walls
- Suitable for corridors, warehouses, parking lots
- 車來燈亮, 智能延遲, 長距離感應
- 感應活動的物體, 不受溫度影響, 能穿牆
- 適用於走廊、倉庫、停車場



## Specification 產品規格 >>

Model 型號	Voltage 電壓 (V)	Wattage 功率 (W)	Length 長度 (mm)	Lamp Life 光度壽命 (Hrs)	Colour Temp 色溫 (K)	Sensing distance 感應距離 (m)	Luminous Flux 光通量 (Lm)	Color Rendering 顯色度 (CRI)
LT-I1208-ML	185-265	8	1200	30000	3000/4000/6000	4-8	1000-1300	80

- Light efficiency (lm/W), Power (W), Color Rendering Index (CRI), Can be customized according to customer needs
- Our Standard Power factor (PF) > 0.9 and Total harmonic index THD < 15%, According to customer requirements can produce a lower THD < 10%
- This type of certification is issued by a government-approved laboratory for Safety certification, Fire testing, Restriction of Hazardous Substances (RoHS), Photobiological safety of lamps and lamp systems. (an Exemption Group) and other test certifications to ensure product quality
- 光效 (lm/W)、功率 (W)、顯色指數 (CRI), 可根據客戶需求定制
- 此型號標準之功率因素 (PF) > 0.9, 總諧波指數 THD < 15%, 可按客戶需要生產低總諧波指數 < 10%
- 此型號認證由可實驗室發出之安全認證消防測試, 環保物料 (RoHS), 光生物安全為 Exemption Group 及其它測試, 保證客戶使用更安心滿意

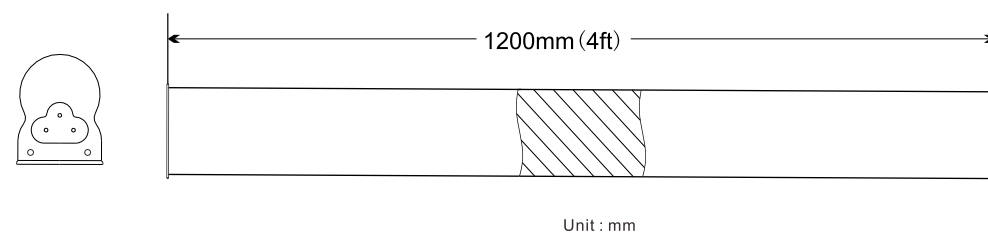
# Radar Sensor LED Fluorescent Lamp

Series Type: IB-M-1212

## Features 產品特點 >>

- Car lights are on, intelligent delay, long-distance sensing
- Objects that sense activity, are not affected by temperature and can pass through walls
- Suitable for corridors, warehouses, parking lots

- 車來燈亮, 智能延遲, 長距離感應
- 感應活動的物體, 不受溫度影響, 能穿牆
- 適用於走廊、倉庫、停車場



## Specification 產品規格 >>

Model 型號	Voltage 電壓	Wattage 功率	Length 長度	Lamp Life 光度壽命	Colour Temp 色溫	Sensing distance 感應距離	Luminous Flux 光通量	Color Rendering 顯色度
	(V)	(W)	(mm)	(Hrs)	(K)	(m)	(Lm)	(CRI)
IB-M-1212	185-265	12	1200	30000	3000/4000/6000	4-8	1200-1800	80

- Light efficiency (lm/W), Power (W), Color Rendering Index (CRI), Can be customized according to customer needs
- Our Standard Power factor (PF) > 0.9 and Total harmonic index THD < 15%, According to customer requirements can produce a lower THD < 10%
- This type of certification is issued by a government-approved laboratory for Safety certification, Fire testing, Restriction of Hazardous Substances (RoHS), Photobiological safety of lamps and lamp systems. (an Exemption Group) and other test certifications to ensure product quality
- 光效 (lm/W)、功率 (W)、顯色指數 (CRI), 可根據客戶需求定制
- 此型號標準之功率因素 (PF) > 0.9, 總諧波指數 THD < 15%, 可按客戶需要生產低總諧波指數 < 10%
- 此型號認證由可實驗室發出之安全認證消防測試, 環保物料 (RoHS), 光生物安全為 Exemption Group 及其它測試, 保證客戶使用更安心滿意

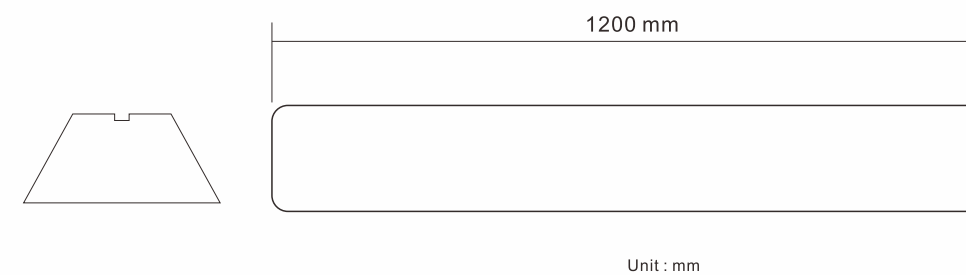
# Radar Sensor LED Fluorescent Lamp

Series Type: GL-M-1218

## Features 產品特點 >>

- Car lights are on, intelligent delay, long-distance sensing
- Objects that sense activity, are not affected by temperature and can pass through walls
- Suitable for corridors, warehouses, parking lots

- 車來燈亮, 智能延遲, 長距離感應
- 感應活動的物體, 不受溫度影響, 能穿牆
- 適用於走廊、倉庫、停車場



## Specification 產品規格 >>

Model 型號	Voltage 電壓	Wattage 功率	Length 長度	Lamp Life 光度壽命	Colour Temp 色溫	Sensing distance 感應距離	Luminous Flux 光通量	Color Rendering 顯色度
	(V)	(W)	(mm)	(Hrs)	(K)	(m)	(Lm)	(CRI)
GL-M-1218	185-265	18	1200	30000	3000/4000/6000	4-8	1200-1800	80

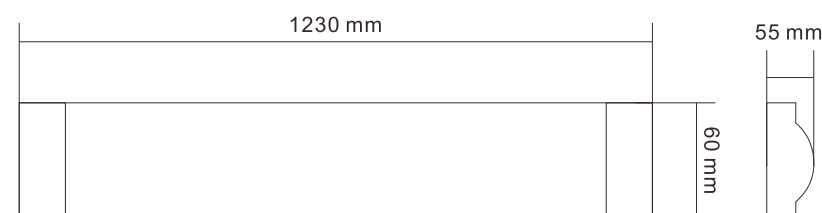
- Light efficiency (lm/W), Power (W), Color Rendering Index (CRI), Can be customized according to customer needs
- Our Standard Power factor (PF) > 0.9 and Total harmonic index THD < 15%, According to customer requirements can produce a lower THD < 10%
- This type of certification is issued by a government-approved laboratory for Safety certification, Fire testing, Restriction of Hazardous Substances (RoHS), Photobiological safety of lamps and lamp systems. (an Exemption Group) and other test certifications to ensure product quality
- 光效 (lm/W)、功率 (W)、顯色指數 (CRI), 可根據客戶需求定制
- 此型號標準之功率因素 (PF) > 0.9, 總諧波指數 THD < 15%, 可按客戶需要生產低總諧波指數 < 10%
- 此型號認證由可實驗室發出之安全認證消防測試, 環保物料 (RoHS), 光生物安全為 Exemption Group 及其它測試, 保證客戶使用更安心滿意

# Three Anti-radar Sensor Garage Lights

Series Type: GL-IPM-1236

## Features 產品特點 >>

- Waterproof radar sensor garage light/ceiling light,
  - IP65, insect-proof, waterproof and dust-proof, durable, high efficiency and energy saving more than 90%
  - Built-in sensor, microwave signal can penetrate the mask
- 
- 防水微波感應車庫燈/吸頂燈,
  - IP65,防蟲防水防塵,經久耐用,高效節能90%以上
  - 內置感應器,微波信號可穿透面罩



Unit : mm

## Specification 產品規格 >>

Model 型號	Voltage 電壓 (V)	Wattage 功率 (W)	Size 尺寸 (mm)	Lamp Life 光度壽命 (Hrs)	Colour Temp 色溫 (K)	Sensing distance 感應距離 (m)	Luminous Flux 光通量 (Lm)	Color Rendering 顯色度 (CRI)
GL-IPM-1236	185-265	36	1230*60*55	30000	3000/4000/6000	6-8	3800	80

- Light efficiency (lm/W), Power (W), Color Rendering Index (CRI), Can be customized according to customer needs
- Our Standard Power factor (PF) > 0.9 and Total harmonic index THD < 15%, According to customer requirements can produce a lower THD < 10%
- This type of certification is issued by a government-approved laboratory for Safety certification, Fire testing, Restriction of Hazardous Substances (RoHS), Photobiological safety of lamps and lamp systems. (an Exemption Group) and other test certifications to ensure product quality
- 光效 (lm/W)、功率 (W)、顯色指數 (CRI), 可根據客戶需求定制
- 此型號標準之功率因素 (PF) > 0.9, 總諧波指數 THD < 15%, 可按客戶需要生產低總諧波指數 < 10%
- 此型號認證由可實驗室發出之安全認證消防測試, 環保物料 (RoHS), 光生物安全為 Exemption Group 及其它測試, 保證客戶使用更安心滿意

# Sensor Engineering Lighting Series

感應工程照明系列

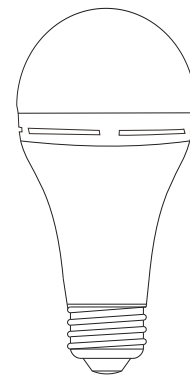


# Radar Sensor LED Bulb Light

Series Type: BL-M-P03

## Features 產品特點 >>

- Light control function: when the environment has light, it does not work at all; when the environment is not light, it enters the induction controlled state
  - Radar sensing function: In the absence of light, when there is a moving object, the radar will sense the action, enter the full negative state, power 4W, and delay 16-20 seconds; when no moving object triggers, the light will go
  - Sensing distance: 5-6 meters, 360 degree range under the lamp
  - Use range: especially suitable for residential corridors; and energy-saving automatic lighting places such as corridors, bathrooms, basements, garages, warehouses, and monitoring
- 光控功能:當環境有光時完全不工作;當環境無光時進入感應受控狀態
  - 微波感應功能:在無光條件下,有移動物體時,微波感應動作,進入滿負狀態,功率4W,並延遲16-20秒;無移動物體觸發時,燈滅
  - 感應距離:5-6米,燈下360度範圍
  - 使用範圍:特別適合小區樓道;以及走廊、衛生間、地下室、車庫、倉庫、監控等節能自動照明場所



Unit : mm

## Specification 產品規格 >>

Model 型號	Voltage 電壓 (V)	Wattage 功率 (W)	Size 尺寸 (mm)	Lamp Life 光度壽命 (Hrs)	Colour Temp 色溫 (K)	Sensing distance 感應距離 (m)	Luminous Flux 光通量 (Lm)	Color Rendering 顯色度 (CRI)
BL-M-P03	185-265	2.5	55	30000	3000/4000/6000	5-6	180-260	80

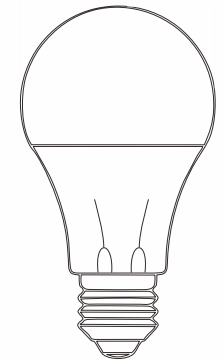
- Light efficiency (lm/W), Power (W), Color Rendering Index (CRI), Can be customized according to customer needs
- Our Standard Power factor (PF) > 0.9 and Total harmonic index THD < 15%, According to customer requirements can produce a lower THD < 10%
- This type of certification is issued by a government-approved laboratory for Safety certification, Fire testing, Restriction of Hazardous Substances (RoHS), Photobiological safety of lamps and lamp systems. (an Exemption Group) and other test certifications to ensure product quality
- 光效 (lm/W)、功率 (W)、顯色指數 (CRI), 可根據客戶需求定制
- 此型號標準之功率因素 (PF) > 0.9, 總諧波指數 THD < 15%, 可按客戶需要生產低總諧波指數 < 10%
- 此型號認證由實驗室發出之安全認證消防測試, 環保物料 (RoHS), 光生物安全為 Exemption Group 及其它測試, 保證客戶使用更安心滿意

# Radar Sensor LED Bulb Light

Series Type: BL-M-P05/BL-M-P07

## Features 產品特點 >>

- Light control function: when the environment has light, it does not work at all; when the environment is not light, it enters the induction controlled state
  - Radar sensing function: In the absence of light, when there is a moving object, the radar will sense the action, enter the full negative state, power 4W, and delay 16-20 seconds; when no moving object triggers, the light will go
  - Sensing distance: 5-6 meters, 360 degree range under the lamp
  - Use range: especially suitable for residential corridors; and energy-saving automatic lighting places such as corridors, bathrooms, basements, garages, warehouses, and monitoring
- 光控功能:當環境有光時完全不工作;當環境無光時進入感應受控狀態
  - 微波感應功能:在無光條件下,有移動物體時,微波感應動作,進入滿負狀態,功率4W,並延遲16-20秒;無移動物體觸發時,燈滅
  - 感應距離:5-6米,燈下360度範圍
  - 使用範圍:特別適合小區樓道;以及走廊、衛生間、地下室、車庫、倉庫、監控等節能自動照明場所



Unit : mm

## Specification 產品規格 >>

Model 型號	Voltage 電壓 (V)	Wattage 功率 (W)	Size 尺寸 (mm)	Lamp Life 光度壽命 (Hrs)	Colour Temp 色溫 (K)	Sensing distance 感應距離 (m)	Luminous Flux 光通量 (Lm)	Color Rendering 顯色度 (CRI)
BL-M-P05	185-265	5	60	30000	3000/4000/6000	5-6	350	80
BL-M-P07	185-265	7	70	30000	3000/4000/6000	5-6	570	80

- Light efficiency (lm/W), Power (W), Color Rendering Index (CRI), Can be customized according to customer needs
- Our Standard Power factor (PF) > 0.9 and Total harmonic index THD < 15%, According to customer requirements can produce a lower THD < 10%
- This type of certification is issued by a government-approved laboratory for Safety certification, Fire testing, Restriction of Hazardous Substances (RoHS), Photobiological safety of lamps and lamp systems. (an Exemption Group) and other test certifications to ensure product quality
- 光效 (lm/W)、功率 (W)、顯色指數 (CRI), 可根據客戶需求定制
- 此型號標準之功率因素 (PF) > 0.9, 總諧波指數 THD < 15%, 可按客戶需要生產低總諧波指數 < 10%
- 此型號認證由實驗室發出之安全認證消防測試, 環保物料 (RoHS), 光生物安全為 Exemption Group 及其它測試, 保證客戶使用更安心滿意

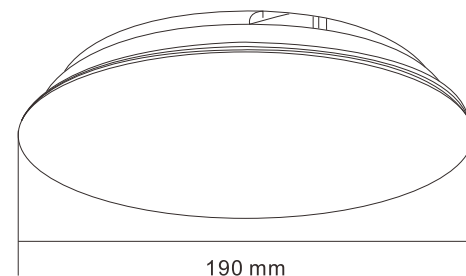
# Radar Sensor LED Ceiling Light

Series Type: ILR-M-3/ILR-M-5

## Features 產品特點 >>

- Radar sensing distance is longer, wide angle, no dead zone, can penetrate glass, and thin wood
- Radar signals are transmitted on a plane 360°, integrated design, reduced overall size, save more space, more concise shape, more stable performance
- Intelligent detection of the surrounding electromagnetic environment, no misjudgment due to climate or weather
- Advanced radar sensing technology, high-efficiency LED light source, humanized technology, energy saving and environmental protection
- Suitable for energy-saving matching corridors, garages, aisles, balconies, etc

- 微波感應距離更遠, 角度廣, 無死區, 能穿透玻璃, 和薄木板
- 平面360°發射微波信號, 一體化設計, 縮小整體尺寸, 節省更多空間, 造型更加簡潔, 性能更穩定
- 智能檢測周圍電磁環境, 不會因氣候或天氣原因而導致誤判
- 先進的微波感應技術, 高效能LED光源, 科技人性化, 節能環保
- 適用於各種不同場所節能搭配樓道、車庫、過道、陽台等



Unit : mm

## Specification 產品規格 >>

Model 型號	Voltage 電壓 (V)	Wattage 功率 (W)	Size 尺寸 (mm)	Lamp Life 光度壽命 (Hrs)	Colour Temp 色溫 (K)	Sensing distance 感應距離 (m)	Luminous Flux 光通量 (Lm)	Color Rendering 顯色度 (CRI)
ILR-M-3	185-265	2.5	190	30000	3000/4000/6000	6-8	160-200	80
ILR-M-5	185-266	5	190	30000	3000/4000/6000	6-8	300-350	80

- Light efficiency (lm/W), Power (W), Color Rendering Index (CRI), Can be customized according to customer needs
- Our Standard Power factor (PF) > 0.9 and Total harmonic index THD < 15%, According to customer requirements can produce a lower THD < 10%
- This type of certification is issued by a government-approved laboratory for Safety certification, Fire testing, Restriction of Hazardous Substances (RoHS), Photobiological safety of lamps and lamp systems. (an Exemption Group) and other test certifications to ensure product quality
- 光效 (lm/W)、功率 (W)、顯色指數 (CRI), 可根據客戶需求定制
- 此型號標準之功率因素 (PF) > 0.9, 總諧波指數 THD < 15%, 可按客戶需要生產低總諧波指數 < 10%
- 此型號認證由可實驗室發出之安全認證消防測試, 環保物料 (RoHS), 光生物安全為 Exemption Group 及其它測試, 保證客戶使用更安心滿意

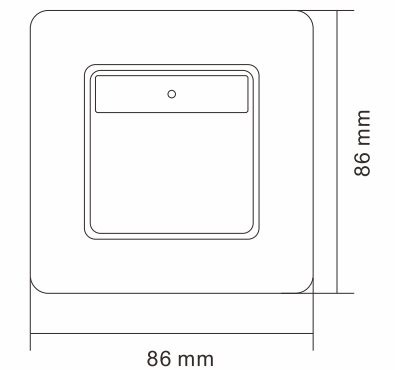
# Radar Sensor Footlight

Series Type: GL-M-1

## Features 產品特點 >>

- Light control function: when the environment has light, it does not work at all; when the environment is not light, it enters the induction controlled state
- Radar sensing function: In the absence of light, when there is a moving object, the radar sensor enters a fully negative state and delays for 16-20 seconds; when no moving object is triggered, the light is off
- High lumen chip, more stable quality, more pure color
- Range of application: especially suitable for energy-saving automatic lighting places such as stairs/aisles

- 光控功能: 當環境有光時完全不工作; 當環境無光時進入感應受控狀態
- 微波感應功能: 在無光條件下, 有移動物體時, 微波感應進入滿負狀態並延遲16-20秒; 無移動物體觸發時, 燈滅
- 高流明芯片, 品質更穩定, 色調更純正
- 使用範圍: 特別適合樓梯/過道等節能自動照明場所



## Specification 產品規格 >>

Model 型號	Voltage 電壓 (V)	Wattage 功率 (W)	Size 尺寸 (mm)	Lamp Life 光度壽命 (Hrs)	Colour Temp 色溫 (K)	Sensing distance 感應距離 (m)	Luminous Flux 光通量 (Lm)	Color Rendering 顯色度 (CRI)
GL-M-1	185-265	1	86*86	30000	3000	4-6	33-40	80

- Light efficiency (lm/W), Power (W), Color Rendering Index (CRI), Can be customized according to customer needs
- Our Standard Power factor (PF) > 0.9 and Total harmonic index THD < 15%, According to customer requirements can produce a lower THD < 10%
- This type of certification is issued by a government-approved laboratory for Safety certification, Fire testing, Restriction of Hazardous Substances (RoHS), Photobiological safety of lamps and lamp systems. (an Exemption Group) and other test certifications to ensure product quality
- 光效 (lm/W)、功率 (W)、顯色指數 (CRI), 可根據客戶需求定制
- 此型號標準之功率因素 (PF) > 0.9, 總諧波指數 THD < 15%, 可按客戶需要生產低總諧波指數 < 10%
- 此型號認證由可實驗室發出之安全認證消防測試, 環保物料 (RoHS), 光生物安全為 Exemption Group 及其它測試, 保證客戶使用更安心滿意

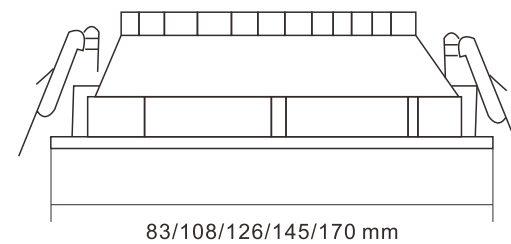
# Radar Sensor LED Downlight

Series Type: GY

## Features 產品特點 >>

- When people come, the lights are on, when people go, the lights are off, intelligent design, bid farewell to the dark, 360° no dead angle induction
- According to the external light intensity, to control whether the switch is working or not, it has reached the energy-saving effect. And identify day and night
- The switch will automatically extend a cycle after detecting each human activity, and start with the delay time of the last human activity
- Mainly aimed at places with plaster or wood ceilings, used in aisles or community lobbies, with complete product specifications

- 人來燈亮, 人走燈滅, 智能設計, 告別摸黑, 360°無死角感應
- 根據外界的光線強度, 來控制開關是否工作, 已達到節能效能。並識別白天和黑夜
- 開關在檢測到人體的每一次活動後會自動順延一個週期, 並以最後一次人體活動的順延時間為起始點
- 主要針對石膏或木板吊頂的場所, 應用於過道或小區大堂, 產品規格齊全



83/108/126/145/170 mm

Unit : mm

## Specification 產品規格 >>

Model 型號	Voltage 電壓 (V)	Wattage 功率 (W)	Size 尺寸 (mm)	Lamp Life 光度壽命 (Hrs)	Colour Temp 色溫 (K)	Sensing distance 感應距離 (m)	Luminous Flux 光通量 (Lm)	Color Rendering 顯色度 (CRI)
DL-M-2.5GY	185-265	3	73-83	30000	3000/4000/6000	6-8	180-260	80
DL-M-3GY	185-265	4	96-108	30000	3000/4000/6000	6-8	300-350	80
DL-M-4GY	185-265	7	115-126	30000	3000/4000/6000	6-8	550-600	80
DL-M-5GY	185-265	10	137-145	30000	3000/4000/6000	6-8	800-850	80
DL-M-6GY	185-265	10	155-170	30000	3000/4000/6000	6-8	800-850	80

- Light efficiency (lm/W), Power (W), Color Rendering Index (CRI), Can be customized according to customer needs
- Our Standard Power factor (PF) > 0.9 and Total harmonic index THD < 15%, According to customer requirements can produce a lower THD < 10%
- This type of certification is issued by a government-approved laboratory for Safety certification, Fire testing, Restriction of Hazardous Substances (RoHS), Photobiological safety of lamps and lamp systems. (an Exemption Group) and other test certifications to ensure product quality
- 光效 (lm/W)、功率 (W)、顯色指數 (CRI), 可根據客戶需求定制
- 此型號標準之功率因素 (PF) > 0.9, 總諧波指數 THD < 15%, 可按客戶需要生產低總諧波指數 < 10%
- 此型號認證由可實驗室發出之安全認證消防測試, 環保物料 (RoHS), 光生物安全為 Exemption Group 及其它測試, 保證客戶使用更安心滿意

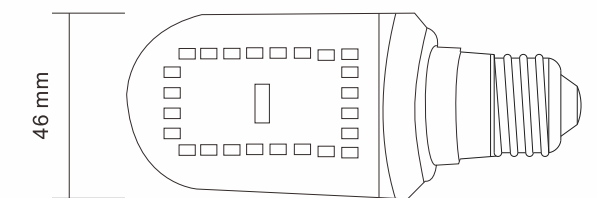
# Horizontal Corn Lamp

Series Type: IPL-M-E27

## Features 產品特點 >>

- Intelligent start, timing control, high efficiency, energy saving, low carbon and environmental protection, longer life
- Stable light source, uniform light, no video flicker
- Aluminum substrate light bar heat conduction, good circuit heat conduction, fast heat dissipation
- Safe drive, provide stable power for the light source

- 智能啟動, 定時控制, 高效節能, 低碳環保, 壽命更長
- 光源穩定, 光線均勻, 無視頻閃
- 鋁基板燈條導熱, 線路導熱良好, 散熱快
- 安全驅動, 為光源提供穩定的電源



46 mm

Unit : mm

## Specification 產品規格 >>

Model 型號	Voltage 電壓 (V)	Wattage 功率 (W)	Size 尺寸 (mm)	Lamp Life 光度壽命 (Hrs)	Colour Temp 色溫 (K)	Sensing distance 感應距離 (m)	Luminous Flux 光通量 (Lm)	Color Rendering 顯色度 (CRI)
IPL-M-E2703	185-265	2.5	46	30000	3000/4000/6000	6-8	250	80
IPL-M-E2705	185-265	5	46	30000	3000/4000/6000	6-8	500	80

- Light efficiency (lm/W), Power (W), Color Rendering Index (CRI), Can be customized according to customer needs
- Our Standard Power factor (PF) > 0.9 and Total harmonic index THD < 15%, According to customer requirements can produce a lower THD < 10%
- This type of certification is issued by a government-approved laboratory for Safety certification, Fire testing, Restriction of Hazardous Substances (RoHS), Photobiological safety of lamps and lamp systems. (an Exemption Group) and other test certifications to ensure product quality
- 光效 (lm/W)、功率 (W)、顯色指數 (CRI), 可根據客戶需求定制
- 此型號標準之功率因素 (PF) > 0.9, 總諧波指數 THD < 15%, 可按客戶需要生產低總諧波指數 < 10%
- 此型號認證由可實驗室發出之安全認證消防測試, 環保物料 (RoHS), 光生物安全為 Exemption Group 及其它測試, 保證客戶使用更安心滿意

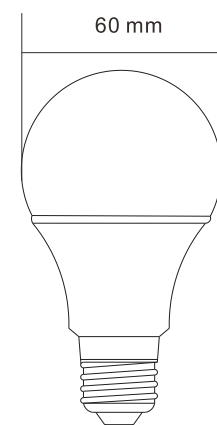
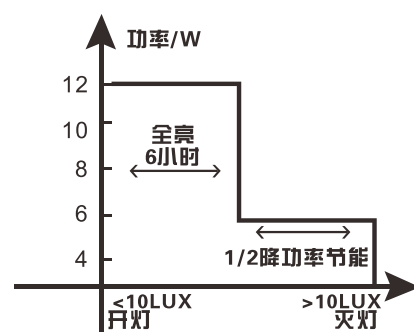
# Light Control And Time Control Bulb

Series Type: BL-MT-P05

## Features 產品特點 >>

- Stable light source, uniform light, no video flicker
- Aluminum substrate light bar heat conduction, good circuit heat conduction, fast heat dissipation
- Safe drive, provide stable power for the light source
- Use international general lamp holder, anti-oxidation and anti-rust treatment

- 光源穩定, 光線均勻, 無視頻閃
- 鋁基板燈條導熱, 線路導熱良好、散熱快
- 安全驅動, 為光源提供穩定的電源
- 採用國際通用燈頭, 抗氧化防銹處理



Unit : mm

## Specification 產品規格 >>

Model 型號	Voltage 電壓	Wattage 功率	Size 尺寸	Lamp Life 光度壽命	Colour Temp 色溫	Lighting Mode 亮燈模式	Luminous Flux 光通量	Color Rendering 顯色度
	(V)	(W)	(mm)	(Hrs)	(K)	(m)	(Lm)	(CRI)
BL-MT-P05	185-265	5	60	30000	3000/4000/6000	Light control + time control	400-600	80

- Light efficiency (lm/W), Power (W), Color Rendering Index (CRI), Can be customized according to customer needs
- Our Standard Power factor (PF) > 0.9 and Total harmonic index THD < 15%, According to customer requirements can produce a lower THD < 10%
- This type of certification is issued by a government-approved laboratory for Safety certification, Fire testing, Restriction of Hazardous Substances (RoHS), Photobiological safety of lamps and lamp systems. (an Exemption Group) and other test certifications to ensure product quality
- 光效 (lm/W)、功率 (W)、顯色指數 (CRI), 可根據客戶需求定制
- 此型號標準之功率因素 (PF) > 0.9, 總諧波指數 THD < 15%, 可按客戶需要生產低總諧波指數 < 10%
- 此型號認證由實驗室發出之安全認證消防測試, 環保物料 (RoHS), 光生物安全為 Exemption Group 及其它測試, 保證客戶使用更安心滿意

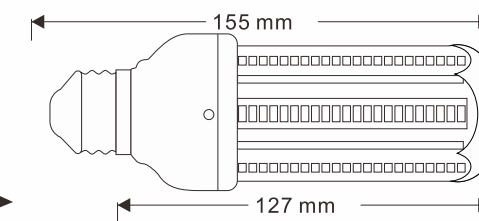
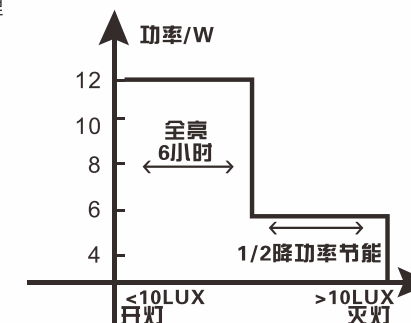
# Light Control Time Control Corn Light

Series Type: CL-M-8

## Features 產品特點 >>

- Stable light source, uniform light, no video flicker
- Aluminum substrate light bar heat conduction, good circuit heat conduction, fast heat dissipation
- Safe drive, provide stable power for the light source
- Use international general lamp holder, anti-oxidation and anti-rust treatment

- 光源穩定, 光線均勻, 無視頻閃
- 鋁基板燈條導熱, 線路導熱良好、散熱快
- 安全驅動, 為光源提供穩定的電源
- 採用國際通用燈頭, 抗氧化防銹處理



Unit : mm



## Specification 產品規格 >>

Model 型號	Voltage 電壓	Wattage 功率	Size 尺寸	Lamp Life 光度壽命	Colour Temp 色溫	Lighting Mode 亮燈模式	Luminous Flux 光通量	Color Rendering 顯色度
	(V)	(W)	(mm)	(Hrs)	(K)	(m)	(Lm)	(CRI)
CL-M-8	185-265	8	44	30000	3000/4000/6000	Light control + time control	≥ 1100	80

- Light efficiency (lm/W), Power (W), Color Rendering Index (CRI), Can be customized according to customer needs
- Our Standard Power factor (PF) > 0.9 and Total harmonic index THD < 15%, According to customer requirements can produce a lower THD < 10%
- This type of certification is issued by a government-approved laboratory for Safety certification, Fire testing, Restriction of Hazardous Substances (RoHS), Photobiological safety of lamps and lamp systems. (an Exemption Group) and other test certifications to ensure product quality
- 光效 (lm/W)、功率 (W)、顯色指數 (CRI), 可根據客戶需求定制
- 此型號標準之功率因素 (PF) > 0.9, 總諧波指數 THD < 15%, 可按客戶需要生產低總諧波指數 < 10%
- 此型號認證由實驗室發出之安全認證消防測試, 環保物料 (RoHS), 光生物安全為 Exemption Group 及其它測試, 保證客戶使用更安心滿意

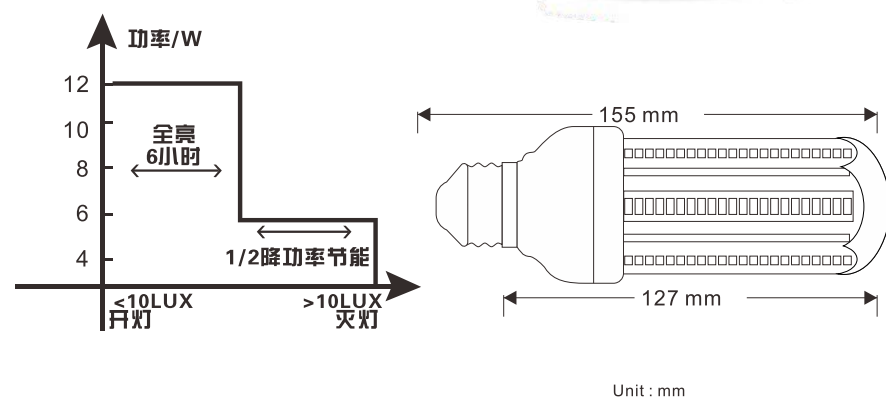
# Light Control Time Control Corn Light

Series Type: CL-M-12

## Features 產品特點 >>

- Stable light source, uniform light, no video flicker
- Aluminum substrate light bar heat conduction, good circuit heat conduction, fast heat dissipation
- Safe drive, provide stable power for the light source
- Use international general lamp holder, anti-oxidation and anti-rust treatment

- 光源穩定, 光線均勻, 無視頻閃
- 鋁基板燈條導熱, 線路導熱良好、散熱快
- 安全驅動, 為光源提供穩定的電源
- 採用國際通用燈頭, 抗氧化防銹處理



## Specification 產品規格 >>

Model 型號	Voltage 電壓	Wattage 功率	Size 尺寸	Lamp Life 光度壽命	Colour Temp 色溫	Lighting Mode 亮燈模式	Luminous Flux 光通量	Color Rendering 顯色度
	(V)	(W)	(mm)	(Hrs)	(K)	(m)	(Lm)	(CRI)
CL-M-12	185-265	12	75	30000	3000/4000/6000	Light control + time control	$\geq 1400$	80

- Light efficiency (lm/W), Power (W), Color Rendering Index (CRI), Can be customized according to customer needs
- Our Standard Power factor (PF) > 0.9 and Total harmonic index THD < 15%, According to customer requirements can produce a lower THD < 10%
- This type of certification is issued by a government-approved laboratory for Safety certification, Fire testing, Restriction of Hazardous Substances (RoHS), Photobiological safety of lamps and lamp systems. (an Exemption Group) and other test certifications to ensure product quality
- 光效 (lm/W)、功率 (W)、顯色指數 (CRI), 可根據客戶需求定制
- 此型號標準之功率因素 (PF) > 0.9, 總諧波指數 THD < 15%, 可按客戶需要生產低總諧波指數 < 10%
- 此型號認證由實驗室發出之安全認證消防測試, 環保物料 (RoHS), 光生物安全為 Exemption Group 及其它測試, 保證客戶使用更安心滿意

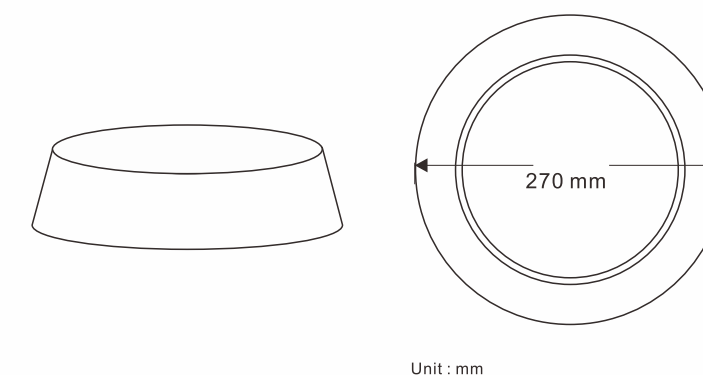
# Three-proof Radar Sensor Ceiling Light

Series Type: ILR-IPM-12

## Features 產品特點 >>

- Waterproof radar sensor garage light/ceiling light,
- IP65, insect-proof, waterproof and dust-proof, durable, high efficiency and energy saving more than 90%
- Built-in sensor, microwave signal can penetrate the mask

- 防水微波感應車庫燈/吸頂燈,
- IP65, 防蟲防水防塵, 經久耐用, 高效節能 90% 以上
- 內置感應器, 微波信號可穿透面罩



## Specification 產品規格 >>

Model 型號	Voltage 電壓	Wattage 功率	Size 尺寸	Lamp Life 光度壽命	Colour Temp 色溫	Sensing distance 感應距離	Luminous Flux 光通量	Color Rendering 顯色度
	(V)	(W)	(mm)	(Hrs)	(K)	(m)	(Lm)	(CRI)
ILR-IPM-12	185-265	12	$\Phi 270$	30000	3000/4000/6000	6-8	730	80

- Light efficiency (lm/W), Power (W), Color Rendering Index (CRI), Can be customized according to customer needs
- Our Standard Power factor (PF) > 0.9 and Total harmonic index THD < 15%, According to customer requirements can produce a lower THD < 10%
- This type of certification is issued by a government-approved laboratory for Safety certification, Fire testing, Restriction of Hazardous Substances (RoHS), Photobiological safety of lamps and lamp systems. (an Exemption Group) and other test certifications to ensure product quality
- 光效 (lm/W)、功率 (W)、顯色指數 (CRI), 可根據客戶需求定制
- 此型號標準之功率因素 (PF) > 0.9, 總諧波指數 THD < 15%, 可按客戶需要生產低總諧波指數 < 10%
- 此型號認證由實驗室發出之安全認證消防測試, 環保物料 (RoHS), 光生物安全為 Exemption Group 及其它測試, 保證客戶使用更安心滿意

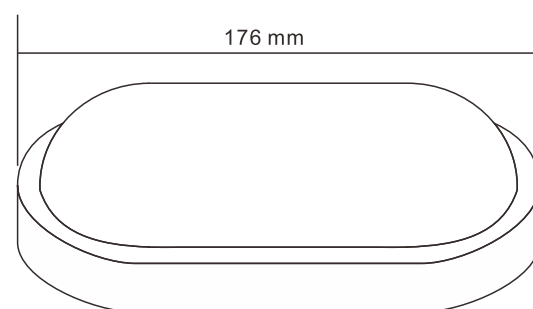
# Radar Sensor Moisture-proof Light

Series Type: BH-M-P8/BH-M-P12

## Features 產品特點 >>

- Mainly for bathrooms, cold storage and other places
- Outdoor corridor, moisture-proof
- Easy installation and lower transformation cost

- 主要針對浴室、冷庫等場所
- 室外迴廊、防潮
- 安裝簡便,改造成本更低



## Specification 產品規格 >>

Model 型號	Voltage 電壓	Wattage 功率	Size 尺寸	Lamp Life 光度壽命	Colour Temp 色溫	Sensing distance 感應距離	Luminous Flux 光通量	Color Rendering 顯色度
	(V)	(W)	(mm)	(Hrs)	(K)	(m)	(Lm)	(CRI)
BH-M-P8	185-265	8	176	30000	3000/4000/6000	6-8	850	80
BH-M-P12	185-265	12	176	30000	3000/4000/6000	6-8	1100	80

- Light efficiency (lm/W), Power (W), Color Rendering Index (CRI), Can be customized according to customer needs
- Our Standard Power factor (PF) > 0.9 and Total harmonic index THD < 15%, According to customer requirements can produce a lower THD < 10%
- This type of certification is issued by a government-approved laboratory for Safety certification, Fire testing, Restriction of Hazardous Substances (RoHS), Photobiological safety of lamps and lamp systems. (an Exemption Group) and other test certifications to ensure product quality
- 光效 (lm/W)、功率 (W)、顯色指數 (CRI), 可根據客戶需求定制
- 此型號標準之功率因素 (PF) > 0.9, 總諧波指數 THD < 15%, 可按客戶需要生產低總諧波指數 < 10%
- 此型號認證由可實驗室發出之安全認證消防測試, 環保物料 (RoHS), 光生物安全為 Exemption Group 及其它測試, 保證客戶使用更安心滿意

# Solar Light

Series Type: SL-M-L4

## Features 產品特點 >>

- Sensing obviously moving objects can penetrate non-metallic objects to transmit and receive induction signals, no need to expose the sensor probe, more waterproof, high sensitivity People come and lights are on and people are dimly on/off
- Two levels of adjustable brightness mode, press and hold the power button for 3-5 seconds to turn on the machine, flash 2 times after power on, the default is the first level of light mode, and then change the mode for each time you press it until it turns off
- No need to connect to electricity, directly stored by high conversion efficiency monocrystalline silicon solar panel, energy saving and environmental protection
- Suitable for courtyards, parks, rural areas, farms, farms, orchards



- 感應的明顯移動物體, 可穿透非金屬物體發射接收感應信號, 無需外露感應探頭, 更防水、高靈敏度人來燈亮人走燈微亮/ 滅
- 兩檔可調亮度模式, 長按開關鍵3-5秒後開機, 開機後閃2次, 默認為第一檔亮燈模式, 之後每按一次更換一鍾模式, 直至關機
- 無需接電, 直接由高轉換效率單晶矽太陽能板蓄電, 節能環保
- 適用於庭院、公園、農村、農場、養殖場、果園

## Specification 產品規格 >>

Model 型號	Voltage 電壓	Wattage 功率	Size 尺寸	Lamp Life 光度壽命	Colour Temp 色溫	Sensing distance 感應距離	Luminous Flux 光通量	Color Rendering 顯色度
	(V)	(W)	(mm)	(Hrs)	(K)	(m)	(Lm)	(CRI)
SL-M-L4	185-265	4	180*118*68	30000	3000/4000/6000	6-8	250-280	80

- Light efficiency (lm/W), Power (W), Color Rendering Index (CRI), Can be customized according to customer needs
- Our Standard Power factor (PF) > 0.9 and Total harmonic index THD < 15%, According to customer requirements can produce a lower THD < 10%
- This type of certification is issued by a government-approved laboratory for Safety certification, Fire testing, Restriction of Hazardous Substances (RoHS), Photobiological safety of lamps and lamp systems. (an Exemption Group) and other test certifications to ensure product quality
- 光效 (lm/W)、功率 (W)、顯色指數 (CRI), 可根據客戶需求定制
- 此型號標準之功率因素 (PF) > 0.9, 總諧波指數 THD < 15%, 可按客戶需要生產低總諧波指數 < 10%
- 此型號認證由可實驗室發出之安全認證消防測試, 環保物料 (RoHS), 光生物安全為 Exemption Group 及其它測試, 保證客戶使用更安心滿意

# Solar Light

## Series Type: SL-M-L10

### Features 產品特點 >>

- Sensing obviously moving objects can penetrate non-metallic objects to transmit and receive induction signals, no need to expose the sensor probe, more waterproof, high sensitivity People come and lights are on and people are dimly on/off
- Two levels of adjustable brightness mode, press and hold the power button for 3-5 seconds to turn on the machine, flash 2 times after power on, the default is the first level of light mode, and then change the mode for each time you press it until it turns off
- No need to connect to electricity, directly stored by high conversion efficiency monocrystalline silicon solar panel, energy saving and environmental protection
- Suitable for courtyards, parks, rural areas, farms, farms, orchards



- 感應的明顯移動物體，可穿透非金屬物體發射接收感應信號，無需外露感應探頭，更防水、高靈敏度人來燈亮人走燈微亮/減
- 兩檔可調亮度模式，長按開關鍵3-5秒後開機，開機後閃2次，默認為第一檔亮燈模式，之後每按一次更換一鍾模式，直至關機
- 無需接電，直接由高轉換效率單晶矽太陽能板蓄電，節能環保
- 適用於庭院、公園、農村、農場、養殖場、果園

### Specification 產品規格 >>

Model 型號	Voltage 電壓	Wattage 功率	Size 尺寸	Lamp Life 光度壽命	Colour Temp 色溫	Sensing distance 感應距離	Luminous Flux 光通量	Color Rendering 顯色度
	(V)	(W)	(mm)	(Hrs)	(K)	(m)	(Lm)	(CRI)
SL-M-L10	185-265	10	430*202*40	30000	3000/4000/6000	6-10	850-900	80

- Light efficiency (lm/W), Power (W), Color Rendering Index (CRI), Can be customized according to customer needs
- Our Standard Power factor (PF) > 0.9 and Total harmonic index THD < 15%, According to customer requirements can produce a lower THD < 10%
- This type of certification is issued by a government-approved laboratory for Safety certification, Fire testing, Restriction of Hazardous Substances (RoHS), Photobiological safety of lamps and lamp systems. (an Exemption Group) and other test certifications to ensure product quality
- 光效 (lm/W)、功率 (W)、顯色指數 (CRI)，可根據客戶需求定制
- 此型號標準之功率因素 (PF) > 0.9，總諧波指數 THD < 15%，可按客戶需要生產低總諧波指數 < 10%
- 此型號認證由可實驗室發出之安全認證消防測試，環保物料 (RoHS)，光生物安全為 Exemption Group 及其它測試，保證客戶使用更安心滿意

# Solar Light

## Series Type: SL-M-L20

### Features 產品特點 >>

- Sensing obviously moving objects can penetrate non-metallic objects to transmit and receive induction signals, no need to expose the sensor probe, more waterproof, high sensitivity People come and lights are on and people are dimly on/off
- Two levels of adjustable brightness mode, press and hold the power button for 3-5 seconds to turn on the machine, flash 2 times after power on, the default is the first level of light mode, and then change the mode for each time you press it until it turns off
- No need to connect to electricity, directly stored by high conversion efficiency monocrystalline silicon solar panel, energy saving and environmental protection
- Suitable for courtyards, parks, rural areas, farms, farms, orchards



- 感應的明顯移動物體，可穿透非金屬物體發射接收感應信號，無需外露感應探頭，更防水、高靈敏度人來燈亮人走燈微亮/減
- 兩檔可調亮度模式，長按開關鍵3-5秒後開機，開機後閃2次，默認為第一檔亮燈模式，之後每按一次更換一鍾模式，直至關機
- 無需接電，直接由高轉換效率單晶矽太陽能板蓄電，節能環保
- 適用於庭院、公園、農村、農場、養殖場、果園

### Specification 產品規格 >>

Model 型號	Voltage 電壓	Wattage 功率	Size 尺寸	Lamp Life 光度壽命	Colour Temp 色溫	Sensing distance 感應距離	Luminous Flux 光通量	Color Rendering 顯色度
	(V)	(W)	(mm)	(Hrs)	(K)	(m)	(Lm)	(CRI)
SL-M-L20	185-265	20	710*278*255	30000	3000/4000/6000	6-10	1600-1700	80

- Light efficiency (lm/W), Power (W), Color Rendering Index (CRI), Can be customized according to customer needs
- Our Standard Power factor (PF) > 0.9 and Total harmonic index THD < 15%, According to customer requirements can produce a lower THD < 10%
- This type of certification is issued by a government-approved laboratory for Safety certification, Fire testing, Restriction of Hazardous Substances (RoHS), Photobiological safety of lamps and lamp systems. (an Exemption Group) and other test certifications to ensure product quality
- 光效 (lm/W)、功率 (W)、顯色指數 (CRI)，可根據客戶需求定制
- 此型號標準之功率因素 (PF) > 0.9，總諧波指數 THD < 15%，可按客戶需要生產低總諧波指數 < 10%
- 此型號認證由可實驗室發出之安全認證消防測試，環保物料 (RoHS)，光生物安全為 Exemption Group 及其它測試，保證客戶使用更安心滿意

# Sensor UVC series

## 感應 UVC 系列

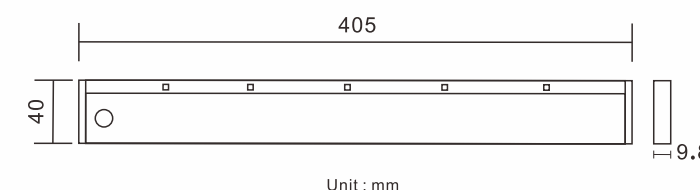
# Multifunctional Intelligent Ultraviolet Germicidal Lamp

Series Type: AS-L-CZ

## Features 產品特點 >>

- UVC / UVA dual-wave sterilization, sterilization rate > 99.9%
- Intelligent protection: when people stop disinfecting, they will automatically disinfect after leaving
- Wardrobe lighting, with human body induction function, automatic lighting when people come, and automatic shutdown when people walk
- Ultra-thin design, side-emitting design, customized side-emitting light guide plate luminous paper, uniform luminescence
- Timing control

- UVC / UVA雙波殺菌, 殺菌率 > 99.9%
- 智能防護: 人們停止消毒時, 離開後會自動消毒
- 衣櫃照明, 帶人體感應功能, 人來自動照明, 人走自動關閉
- 採用超薄設計, 側發光設計, 定制的側發光導光板發光紙, 發光均勻
- 可定時控制



## Specification 產品規格 >>

Model 型號	Standby Current 待機電流 (mA)	Wattage 功率 (W)	Wavelength 波長 (nm)	Charging Interface 充電接口	Sensing distance 感應距離 (m)	Size 尺寸 (mm)	Weight 重量 (g)
AS-L-CZ	0.7	1	UVC270-280+UVA395-405	TYPE-C	1-2	405 * 40 * 9.8	190

- Light efficiency (lm/W), Power (W), Color Rendering Index (CRI), Can be customized according to customer needs
- Our Standard Power factor (PF) > 0.9 and Total harmonic index THD < 15%, According to customer requirements can produce a lower THD < 10%
- This type of certification is issued by a government-approved laboratory for Safety certification, Fire testing, Restriction of Hazardous Substances (RoHS), Photobiological safety of lamps and lamp systems. (an Exemption Group) and other test certifications to ensure product quality
- 光效 (lm/W)、功率 (W)、顯色指數 (CRI), 可根據客戶需求定制
- 此型號標準之功率因素 (PF) > 0.9, 總諧波指數 THD < 15%, 可按客戶需要生產低總諧波指數 < 10%
- 此型號認證由實驗室發出之安全認證消防測試, 環保物料 (RoHS), 光生物安全為 Exemption Group 及其它測試, 保證客戶使用更安心滿意

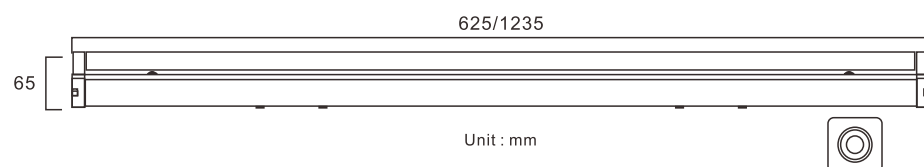


# UVC Induction Germicidal Lamp British Batten

Series Type: AS-M

## Features 產品特點 >>

- The product integrates ultraviolet UVC sterilization technology and microwave induction technology.
  - UVC ultraviolet rays directly destroy the DNA and RNA in bacterial virus cells, causing them to lose their ability to reproduce and cause the cells to die directly, thereby achieving the purpose of sterilization
  - Use special sensor for disinfection lamp: The sensor emits high frequency electromagnetic wave (5.8GHz), and the signal has strong penetration
  - During the anti-virus process, people come to suspend the disinfection, and after the person leaves, they will delay the antivirus
  - Suitable for homes, factories, hospitals, and other places that need to be disinfected
  - Timing control
- 產品集紫外線UVC殺菌技術,微波感應技術與一體
  - UVC紫外線通過直接破壞細菌病毒細胞中的DNA, RNA, 恢復喪失繁殖能力致細胞直接死亡,從而達到殺菌的目的
  - 採用消毒燈專用感應器:感應器發射高頻電磁波(5.8GHz),信號穿透性強
  - 殺毒過程中,人來暫停消毒,人走後自行重啟殺毒
  - 適用於家庭,工廠,醫院,等需要消毒殺菌的場所
  - 可定時控制



## Specification 產品規格 >>

Model 型號	Voltage 電壓 (V)	Wattage 功率 (W)	Wavelength 波長 (nm)	Lamp Base 燈腳	Lamp Life 光度壽命 (Hrs)	Size 尺寸 (mm)
AS-M0620	220-240	20	253.7	T8, G13	30000	23*589
AS-M1240	220-240	40	253.7	T8, G13	30000	23*1200

- Light efficiency (lm/W), Power (W), Color Rendering Index (CRI), Can be customized according to customer needs
- Our Standard Power factor (PF) > 0.9 and Total harmonic index THD < 15%, According to customer requirements can produce a lower THD < 10%
- This type of certification is issued by a government-approved laboratory for Safety certification, Fire testing, Restriction of Hazardous Substances (RoHS), Photobiological safety of lamps and lamp systems. (an Exemption Group) and other test certifications to ensure product quality
- 光效 (lm/W)、功率 (W)、顯色指數 (CRI), 可根據客戶需求定制
- 此型號標準之功率因素 (PF) > 0.9, 總諧波指數 THD < 15%, 可按客戶需要生產低總諧波指數 < 10%
- 此型號認證由可實驗室發出之安全認證消防測試, 環保物料 (RoHS), 光生物安全為 Exemption Group 及其它測試, 保證客戶使用更安心滿意

# Multifunctional Intelligent Ultraviolet Germicidal Lamp

Series Type: AS-M-ZW36D15W

## Features 產品特點 >>

- UV germicidal lamp for nursing home
  - Intelligent radar sensor, delay start, turn off the lights at regular time, and lights off when people come
  - Irradiance (1m distance): 120μw/ cm<sup>2</sup>, applicable sterilization area: 40 m<sup>2</sup>
  - Control mode: radar sensor + remote control timing
  - Delayed start time: 20 seconds after the person leaves
- 養老院專用紫外線殺菌燈
  - 智能微波感應, 延時啟動, 定時關燈, 人來燈滅
  - 輻射照度 (1m距離): 120μw/ cm<sup>2</sup>, 適用殺菌面積: 40 m<sup>2</sup>
  - 控制模式: 微波感應+搖控定時
  - 延遲啟動時間: 人離開後20秒



## Specification 產品規格 >>

Model 型號	Voltage 電壓 (V)	Wattage 功率 (W)	Wavelength 波長 (nm)	Sensing distance 感應距離 (m)	Size 尺寸 (mm)	Weight 重量 (g)
AS-M-ZW36D15W	180-265	36	253.7	6-8	445 * 200 * 130	520

- Light efficiency (lm/W), Power (W), Color Rendering Index (CRI), Can be customized according to customer needs
- Our Standard Power factor (PF) > 0.9 and Total harmonic index THD < 15%, According to customer requirements can produce a lower THD < 10%
- This type of certification is issued by a government-approved laboratory for Safety certification, Fire testing, Restriction of Hazardous Substances (RoHS), Photobiological safety of lamps and lamp systems. (an Exemption Group) and other test certifications to ensure product quality
- 光效 (lm/W)、功率 (W)、顯色指數 (CRI), 可根據客戶需求定制
- 此型號標準之功率因素 (PF) > 0.9, 總諧波指數 THD < 15%, 可按客戶需要生產低總諧波指數 < 10%
- 此型號認證由可實驗室發出之安全認證消防測試, 環保物料 (RoHS), 光生物安全為 Exemption Group 及其它測試, 保證客戶使用更安心滿意